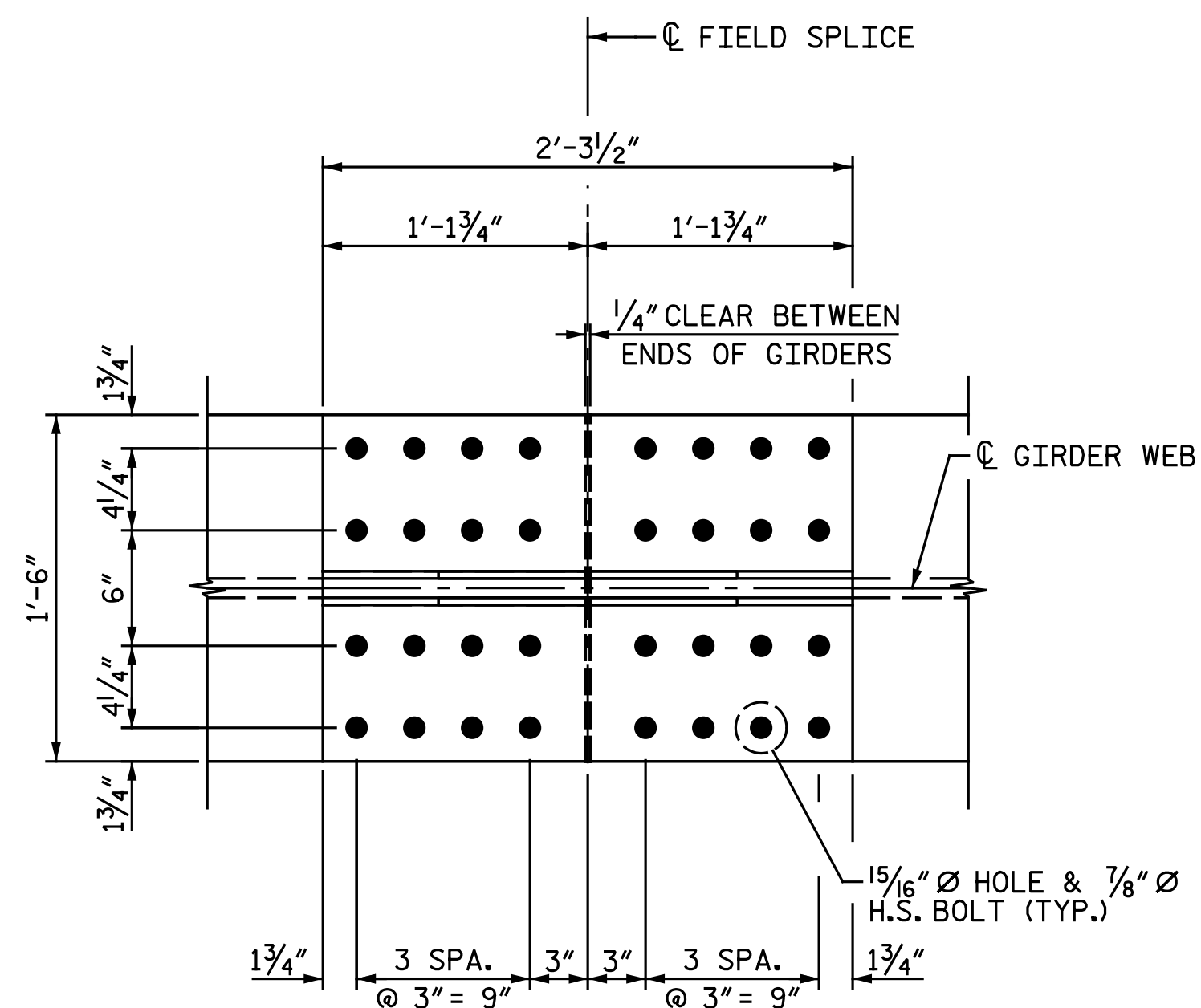
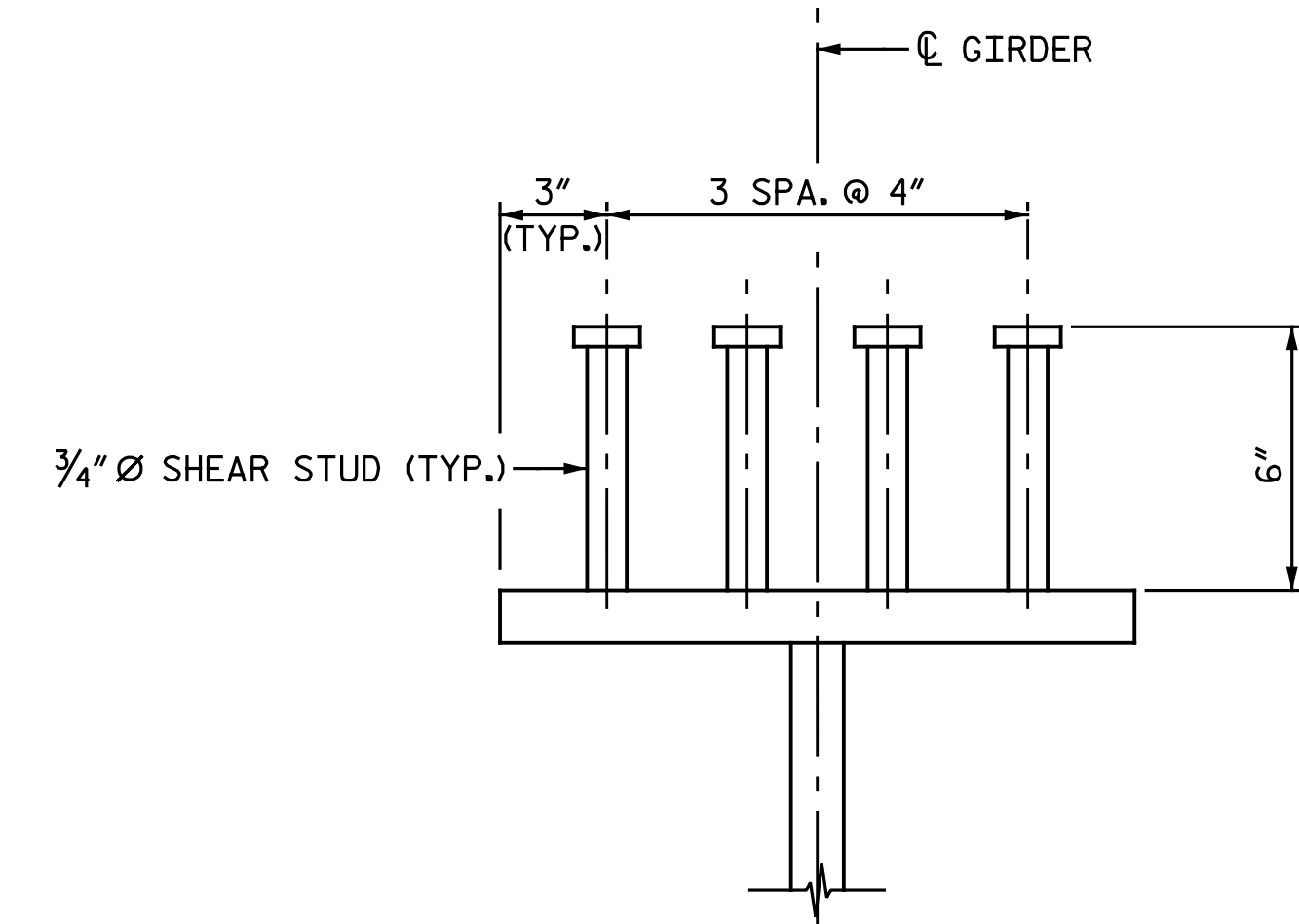


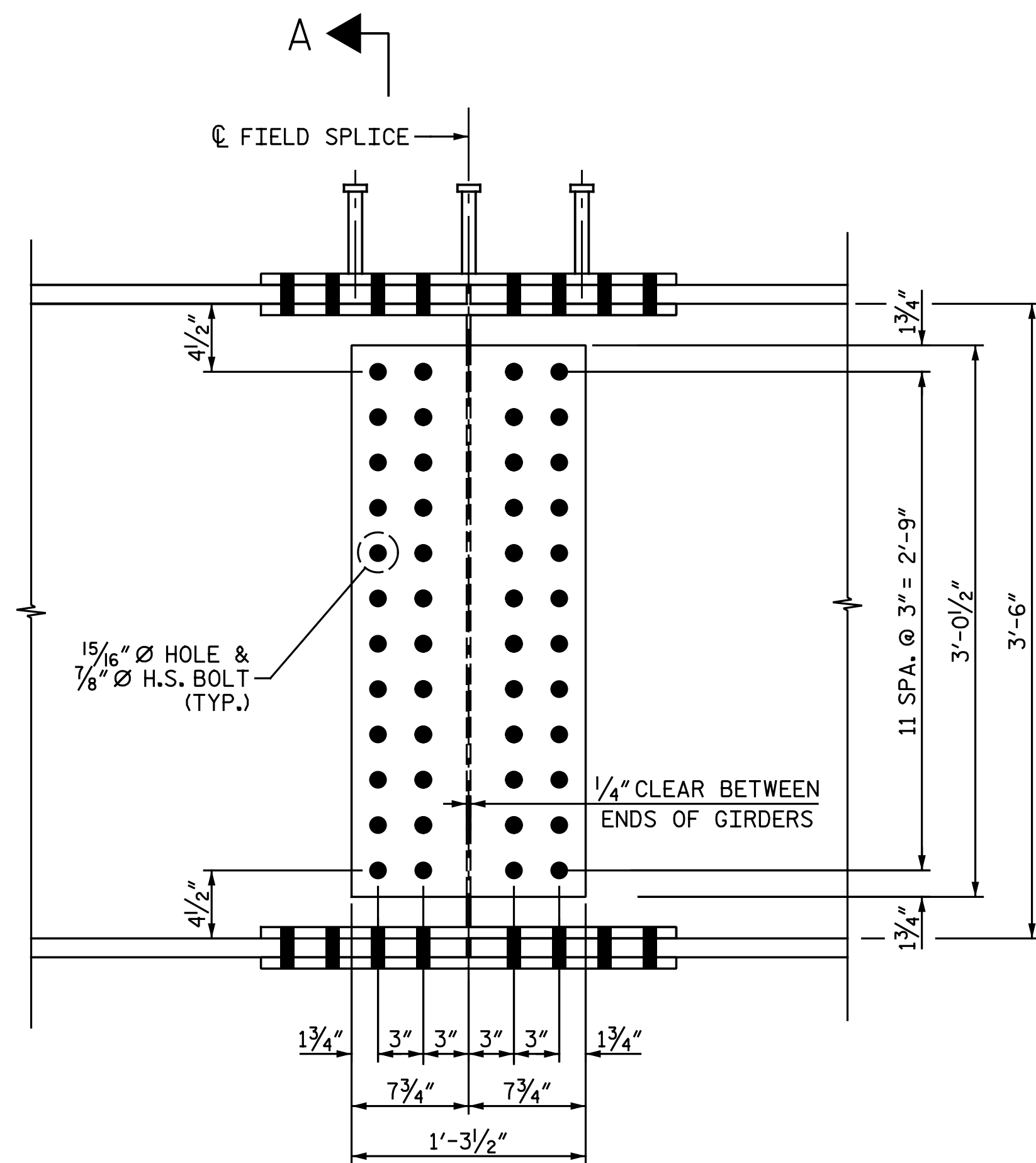
PLAN (TOP OF TOP FLANGE)



PLAN (TOP OF BOTTOM FLANGE)

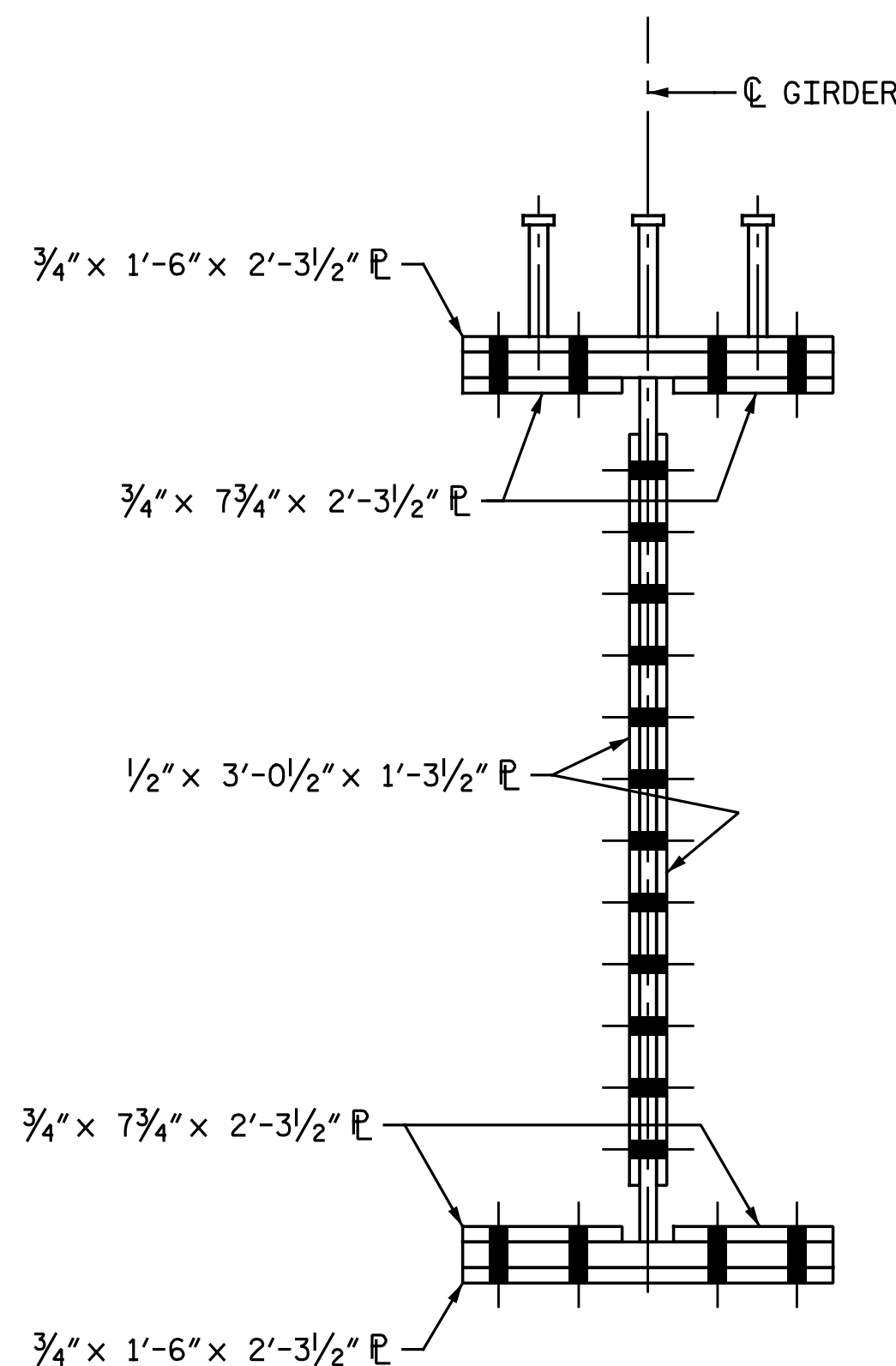


GIRDER SHEAR CONNECTORS
(EXCEPT AT BOLTED FIELD SPLICE)

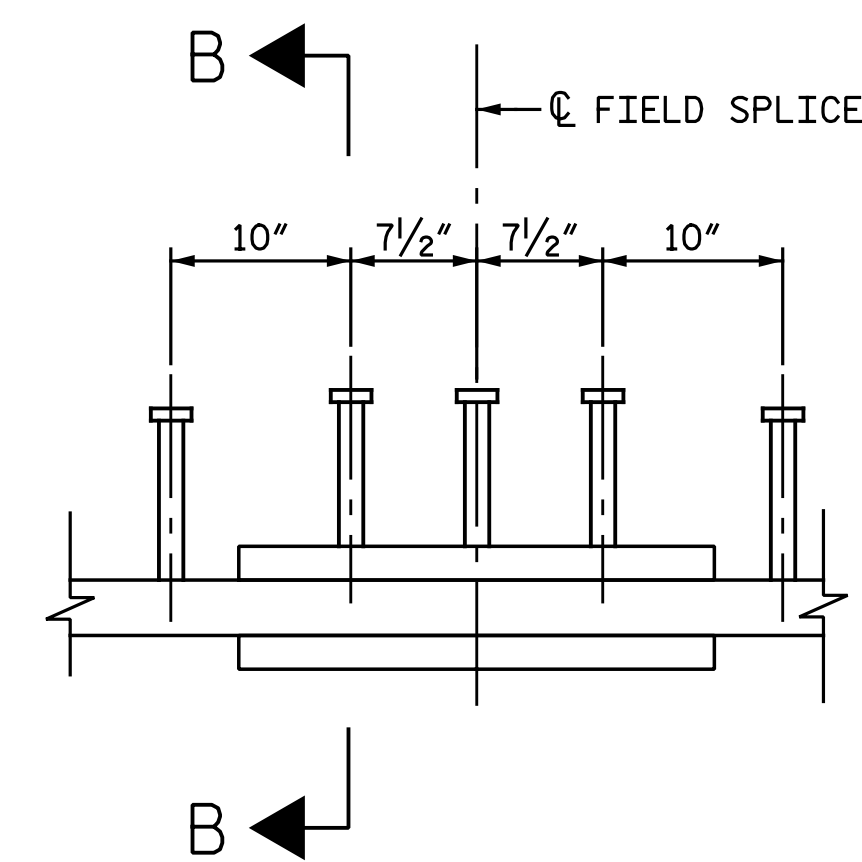


ELEVATION

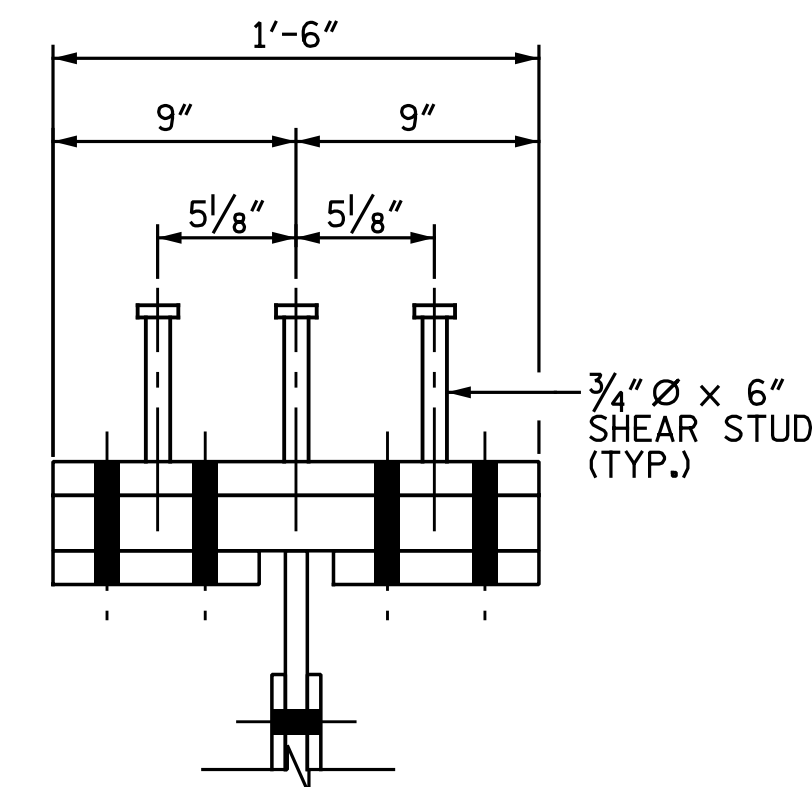
BOLTED FIELD SPLICE DETAILS



SECTION A-A



ELEVATION



SECTION B-B

SHEAR STUD DETAIL
FOR TOP FLANGE SPLICE PLATE

PROJECT NO. U-3330
NASH COUNTY
STATION: 18+22.61 -Y1-

SHEET 3 OF 3

DRAWN BY: M. D. MAYHEW DATE: 8-4-16
CHECKED BY: J. M. GARRISON DATE: 9-7-16

DOCUMENT NOT CONSIDERED FINAL UNLESS ALL SIGNATURES COMPLETED			DEPARTMENT OF TRANSPORTATION RALEIGH SUPERSTRUCTURE STRUCTURAL STEEL DETAILS LEFT LANES		SHEET NO. SI-12	
	Michael Baker Engineering 8000 Regency Parkway, Suite 600 Cary, North Carolina 27518 NC License No.: F-1084		REVISIONS		TOTAL SHEETS 38	
	NO.	BY:	DATE:	NO.	BY:	DATE:
	1			3		
2			4			