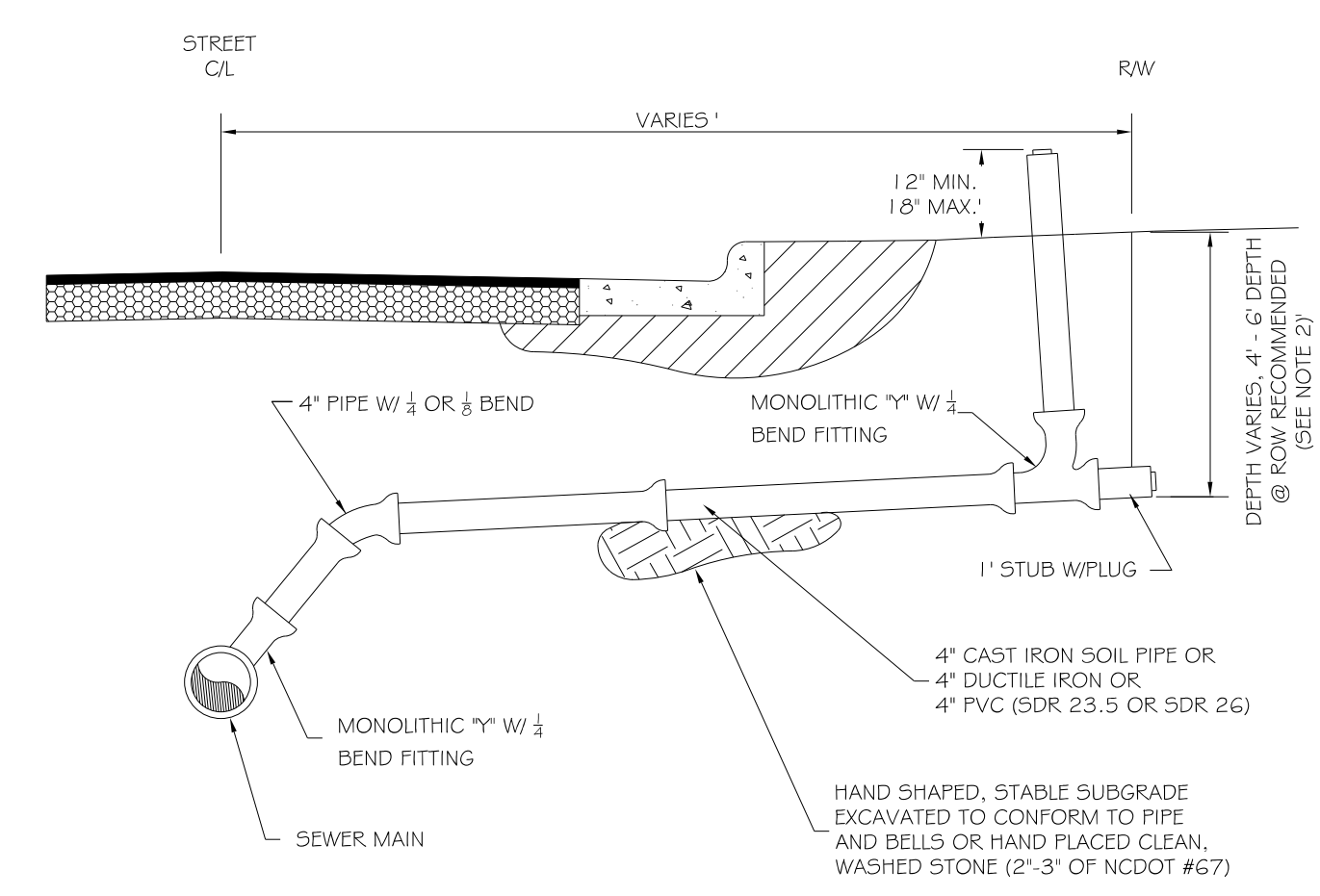
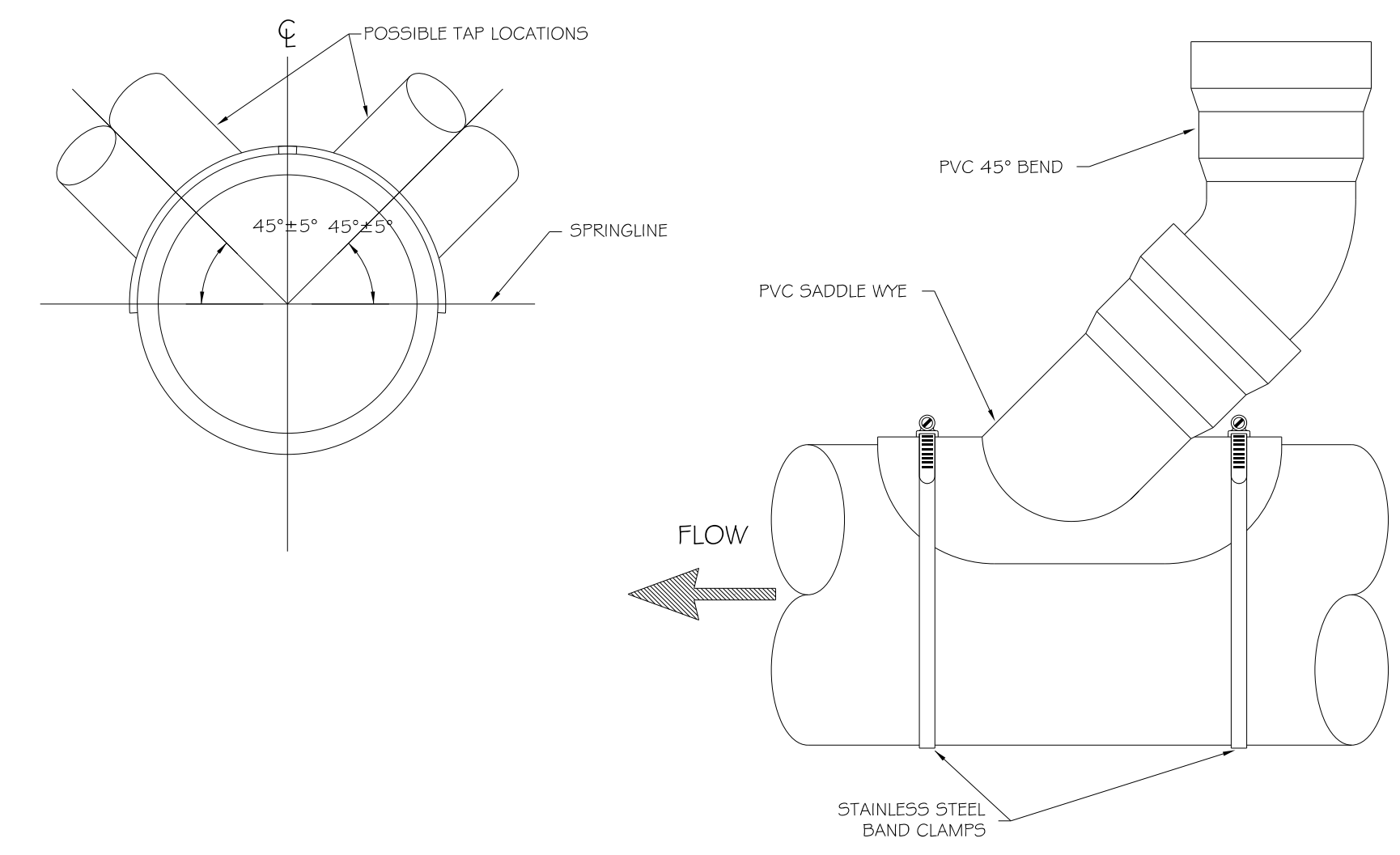


5/14/09



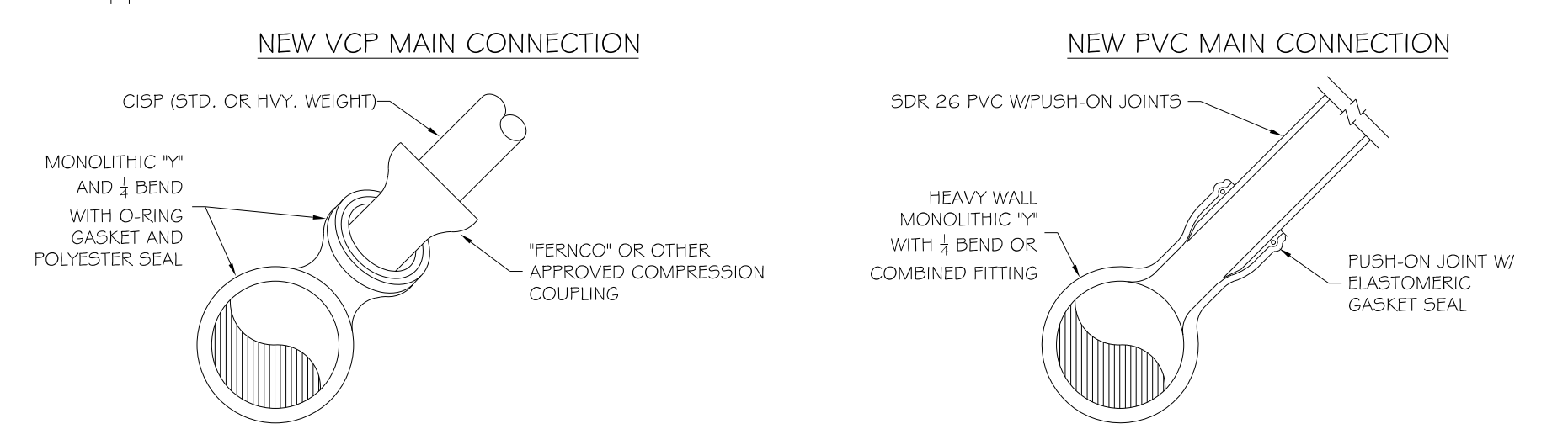
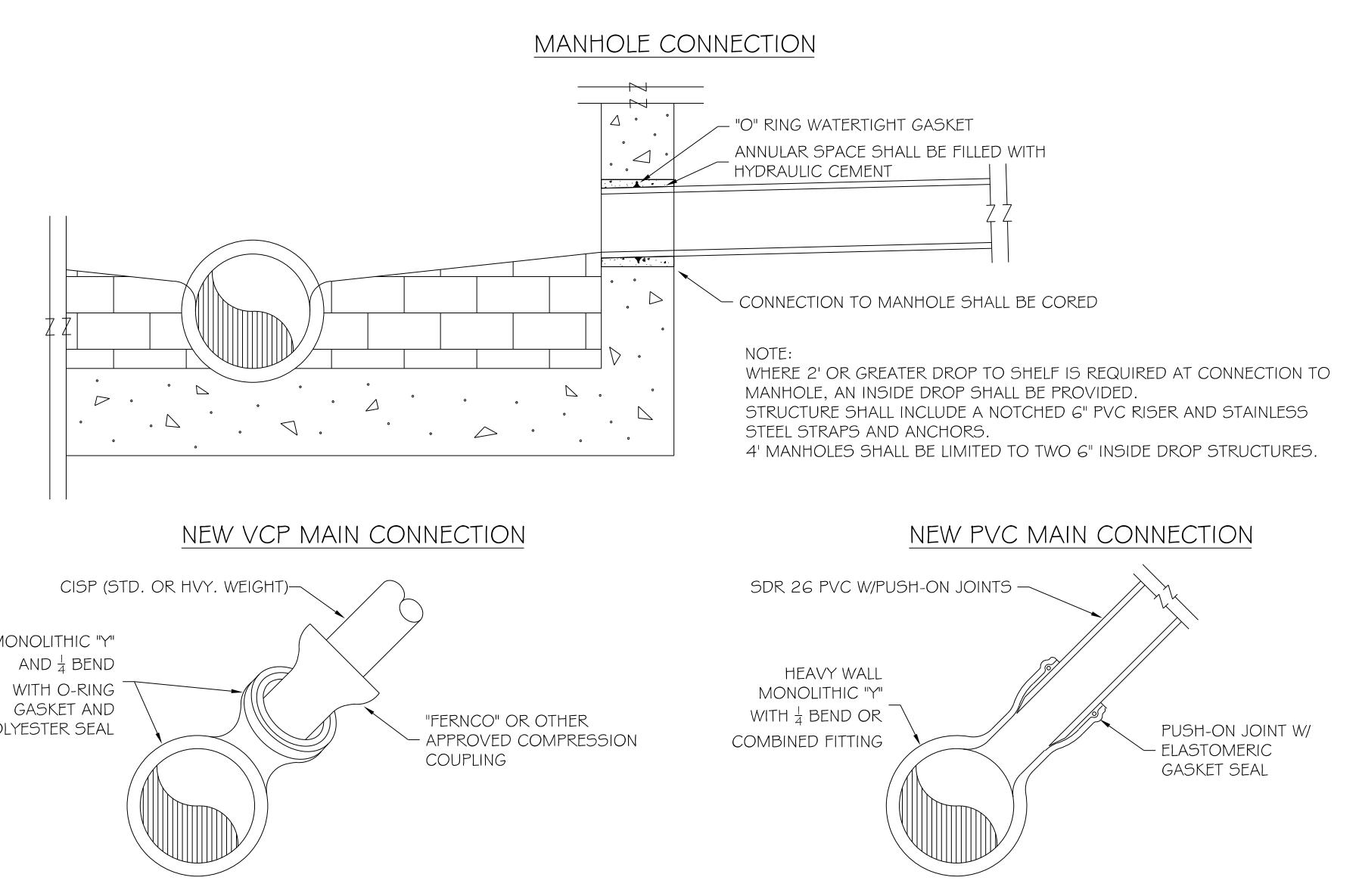
- NOTES:**
1. MINIMUM GRADE FOR 4" SANITARY SEWER SERVICE SHALL BE 1% (1/8" PER FT).
  2. DEPTH OF SERVICE AT PROPERTY LINE MUST BE SUFFICIENT TO PROVIDE AT LEAST MINIMUM GRADE TO BUSINESS OR DWELLING AND 12" MINIMUM COVER OVER SERVICE.
  3. ALL SANITARY SEWER SERVICES SHALL HAVE A CLEANOUT PLACED AT THE EASEMENT OR RIGHT-OF-WAY LINE. ALL CLEANOUTS.
  4. ALL CLEANOUTS SHALL BE CAST IRON WITH BRASS PLUGS. CAST IRON DOUBLE HUB CONNECTORS (30" MINIMUM) MAY BE USED TO TRANSITION FROM PVC SERVICE PIPE.
  5. ALL PVC FITTINGS SHALL BE OF HEAVY WALL CONSTRUCTION (115 PSI MINIMUM PIPE STIFFNESS).
  6. ALL PIPE WITHIN RIGHT-OF-WAY SHALL HAVE PUSH-ON JOINTS WITH ELASTOMERIC GASKET SEALS.
  7. SIX INCH (6") AND LARGER SANITARY SEWER SERVICES SHALL CONNECT AT MANHOLES.

**STANDARD 4" SANITARY SEWER SERVICE LATERAL**

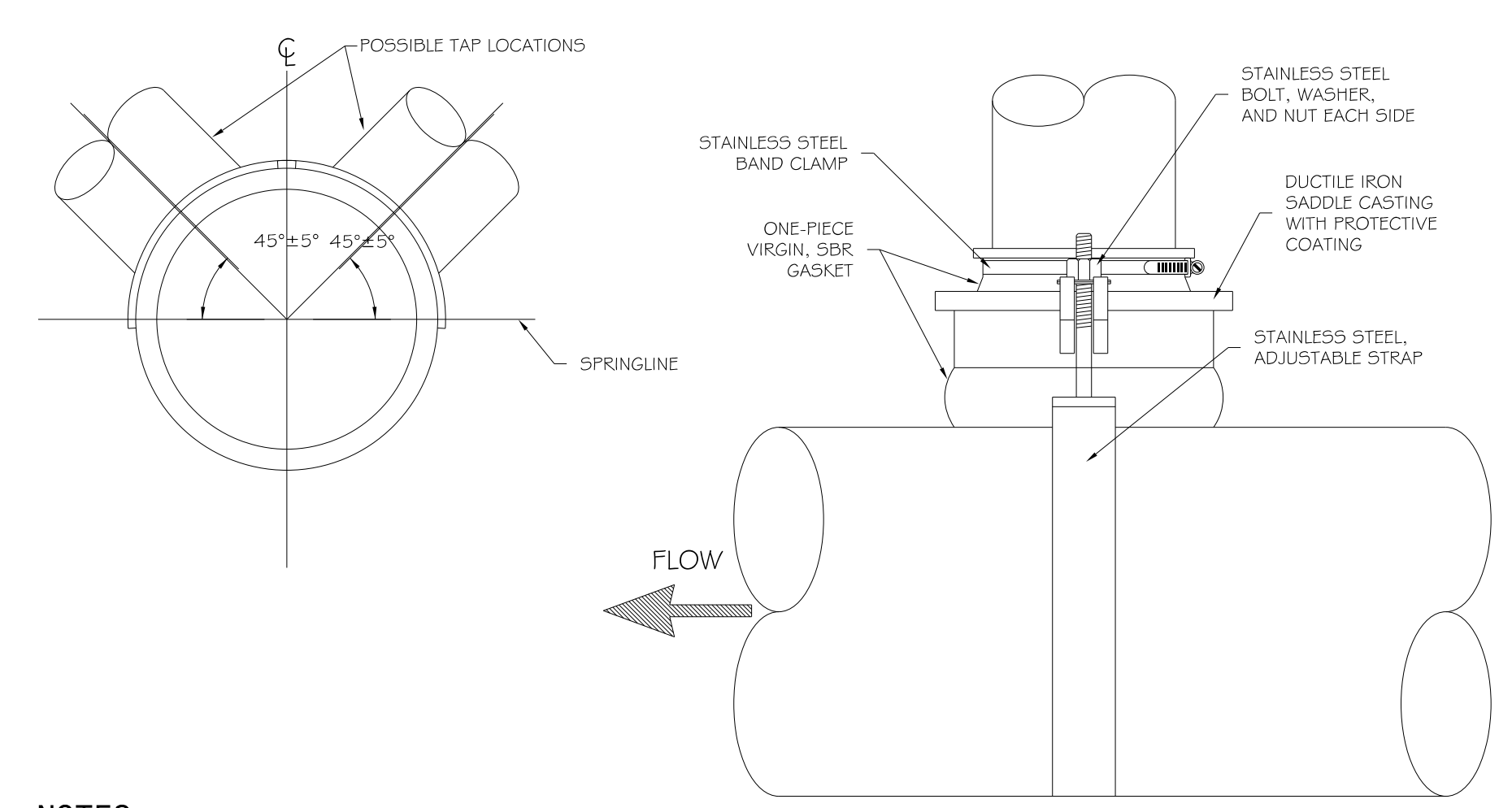


- NOTES:**
1. TAPS FOR SADDLES SHALL BE SAWCUT USING A KEYHOLE OR SABRE SAW AND MANUFACTURER'S TEMPLATE.
  2. TAPS SHALL BE SMOOTH AND CLEANED OF ALL FILINGS, BURRS, DIRT, DEBRIS, ETC.
  3. TAP AND SADDLE SHALL BE SOLVENT WELDED USING MANUFACTURER'S RECOMMENDED PRIMER AND SOLVENT CEMENT.
  4. SADDLE CONNECTION SHALL BE REINFORCED WITH TWO (2) STAINLESS STEEL BAND CLAMPS.

**4" SANITARY SEWER SERVICE CONNECTION ON EXISTING PVC SEWER MAIN**



**4" SANITARY SEWER SERVICE CONNECTION**



- NOTES:**
1. TAPS ON EXISTING SANITARY SEWER MAIN SHALL BE CUT USING AN APPROPRIATELY SIZED TAPPING MACHINE.
  2. TAPS SHALL BE SMOOTH AND CLEANED OF ALL FILINGS, BURRS, DIRT, DEBRIS, ETC.

**4" SANITARY SEWER SERVICE CONNECTION ON EXISTING VCP, CIP, OR DIP SEWER MAIN**

PROJECT REFERENCE NO. U-3330	SHEET NO. UC-3K
DESIGNED BY: GJB	
DRAWN BY: GJB	
CHECKED BY: KCZ	
APPROVED BY: KCZ	
REVISED:	
NORTH CAROLINA DEPARTMENT OF TRANSPORTATION	2/22/2017
UTILITIES ENGINEERING SEC. PHONE: (919) 707-6690 FAX: (919) 250-4151	UTILITY CONSTRUCTION PLANS ONLY
<b>UTILITY CONSTRUCTION</b>	
<b>DOCUMENT NOT CONSIDERED FINAL UNTIL ALL SIGNATURES ARE COMPLETED</b>	
M A Engineering Consultants, Inc.	598 East Chatham Street - Suite 137 Cary, NC 27511 Phone: 919.297.0220 Fax: 919.297.0221 NCLicense: F-0160

5/14/09