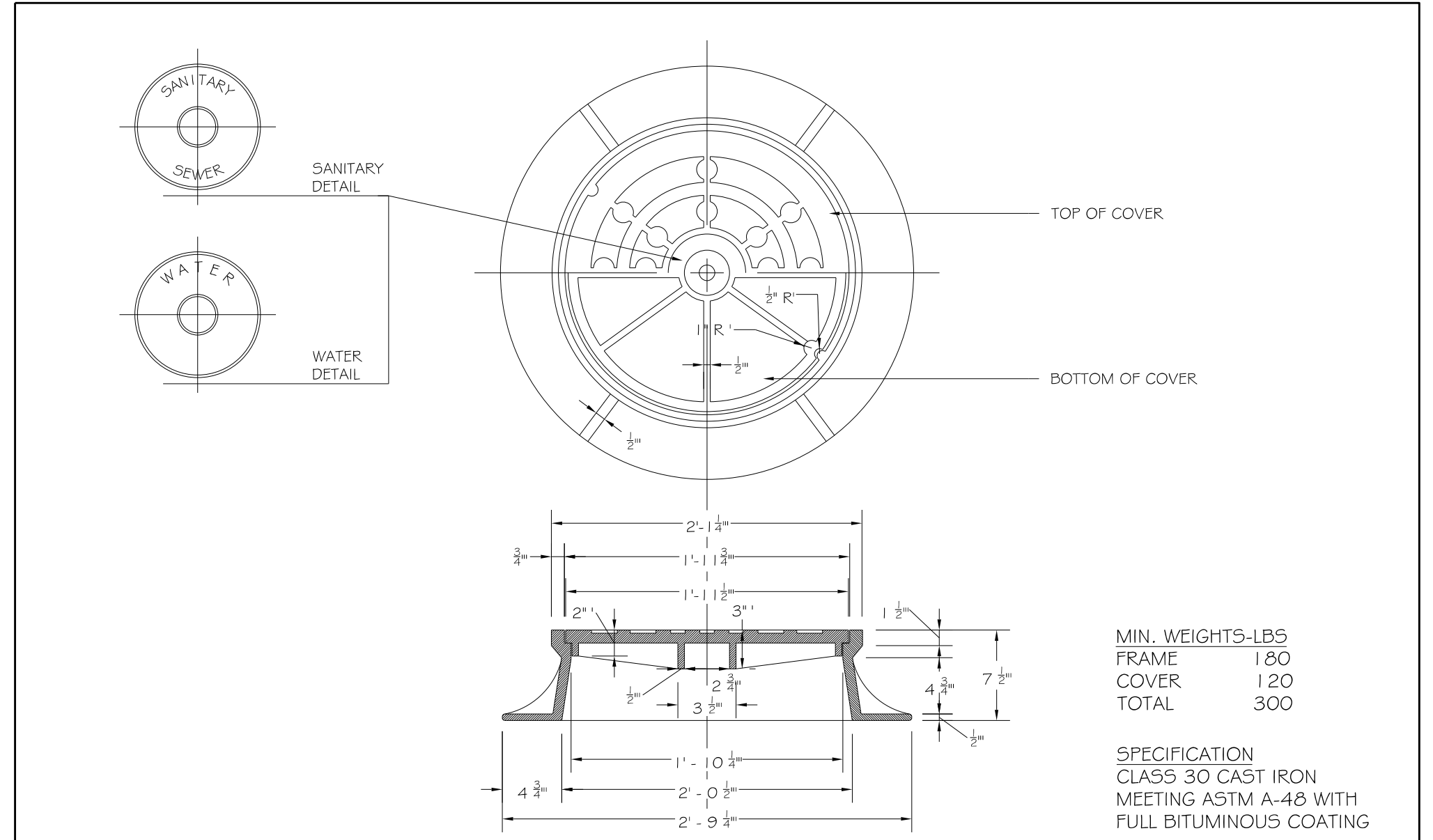
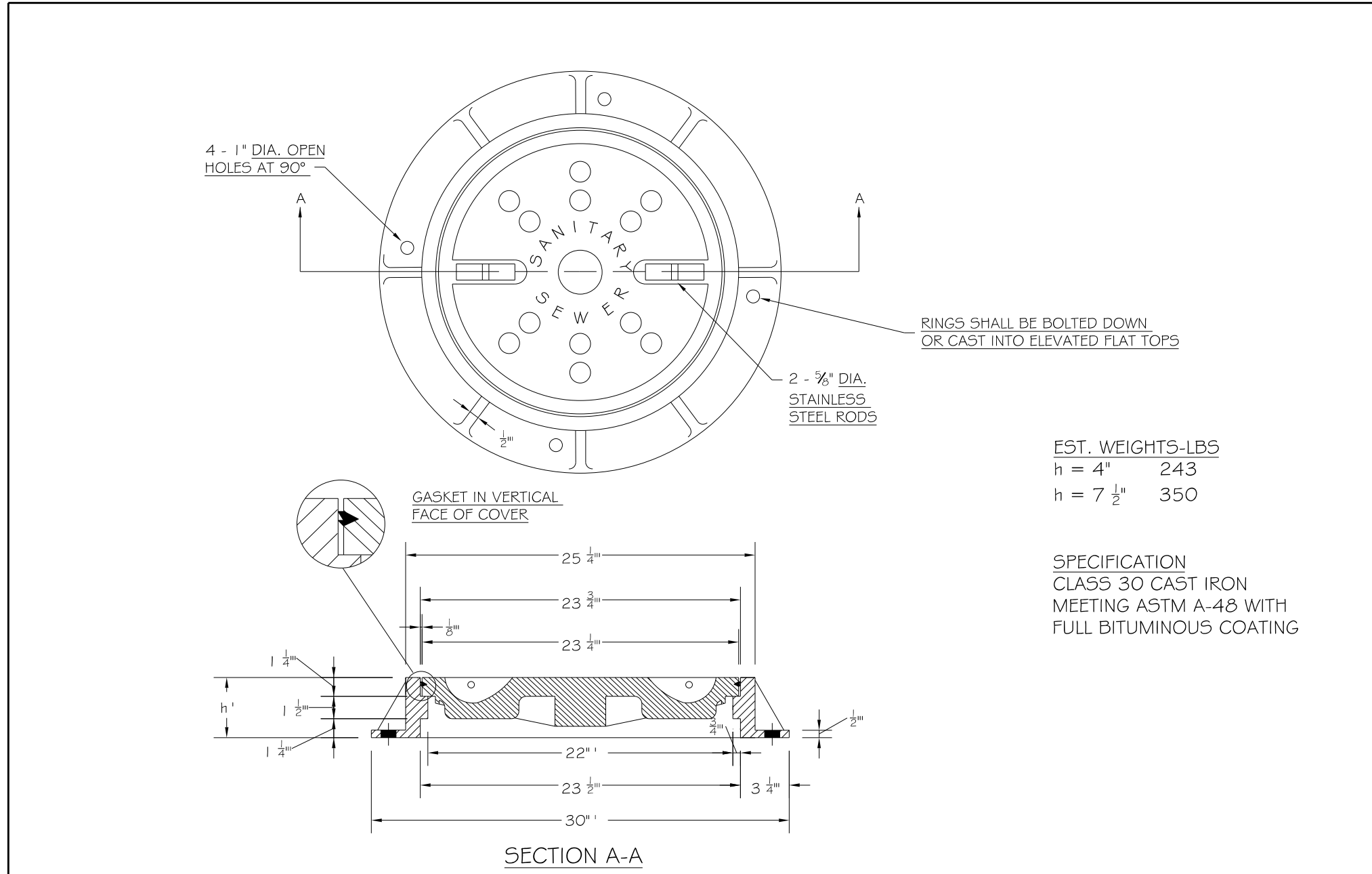


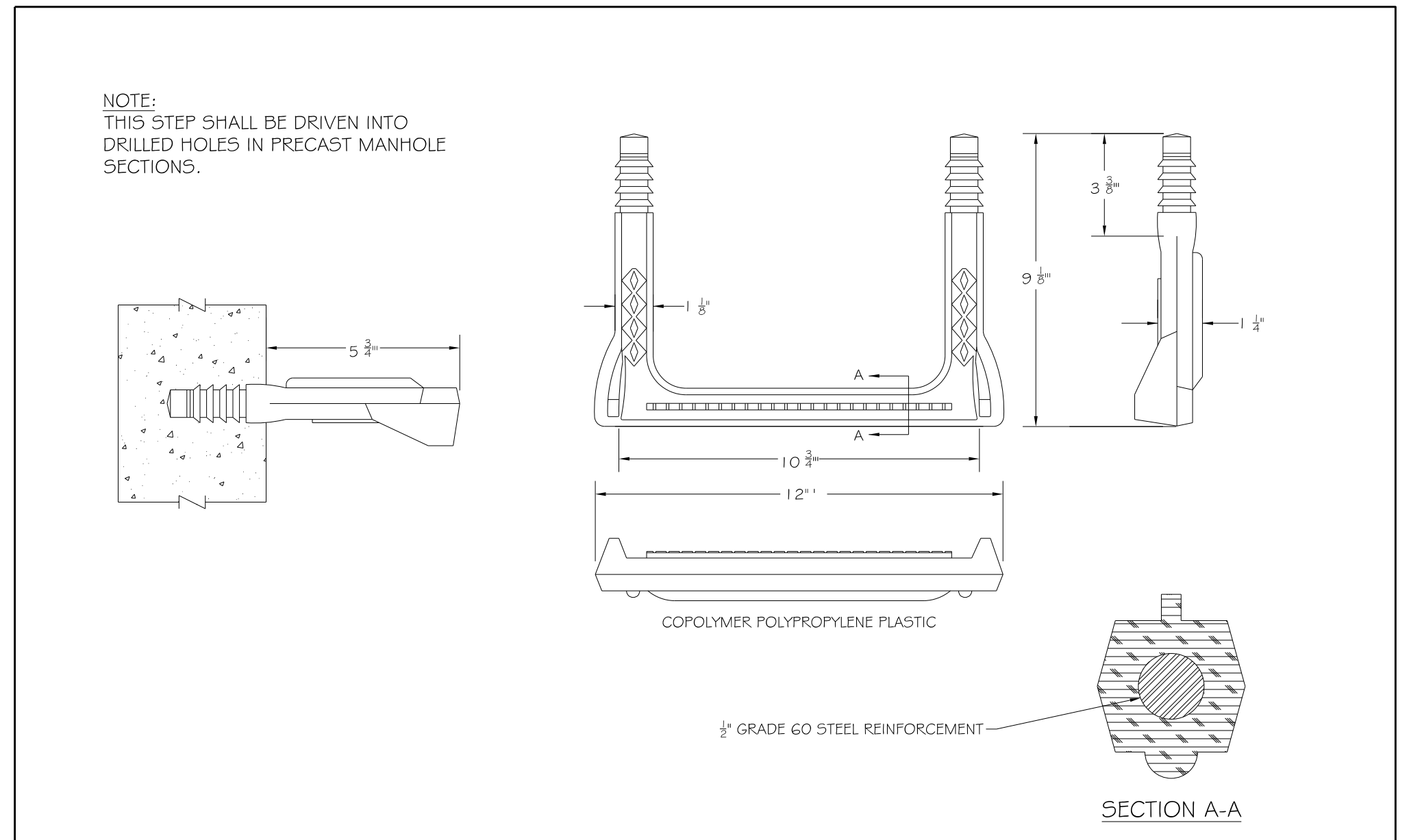
5/14/99



STANDARD MANHOLE RING AND COVER



WATERTIGHT MANHOLE RING AND COVER



STEP FOR PRECAST CONCRETE MANHOLE

65
66
67
68
69
70
71
72
73
74
75
76
77
78
79
80
81
82
83
84
85
86
87
88
89
90
91
92
93
94
95
96
97
98
99
100

PROJECT REFERENCE NO. U-3330	SHEET NO. UC-3I
DESIGNED BY: GJB	
DRAWN BY: GJB	
CHECKED BY: KCZ	
APPROVED BY: KCZ	
REVISED:	2/22/2017
NORTH CAROLINA DEPARTMENT OF TRANSPORTATION UTILITIES ENGINEERING SEC. PHONE: (919) 707-6690 FAX: (919) 250-4151	
UTILITY CONSTRUCTION PLANS ONLY	
UTILITY CONSTRUCTION DOCUMENT NOT CONSIDERED FINAL UNTIL ALL SIGNATURES ARE COMPLETED	
M A Engineering Consultants, Inc.	

598 East Chatham Street - Suite 137
 Cary, NC 27511
 Phone: 919.297.0220 Fax: 919.297.0221
 NC License: F-0160