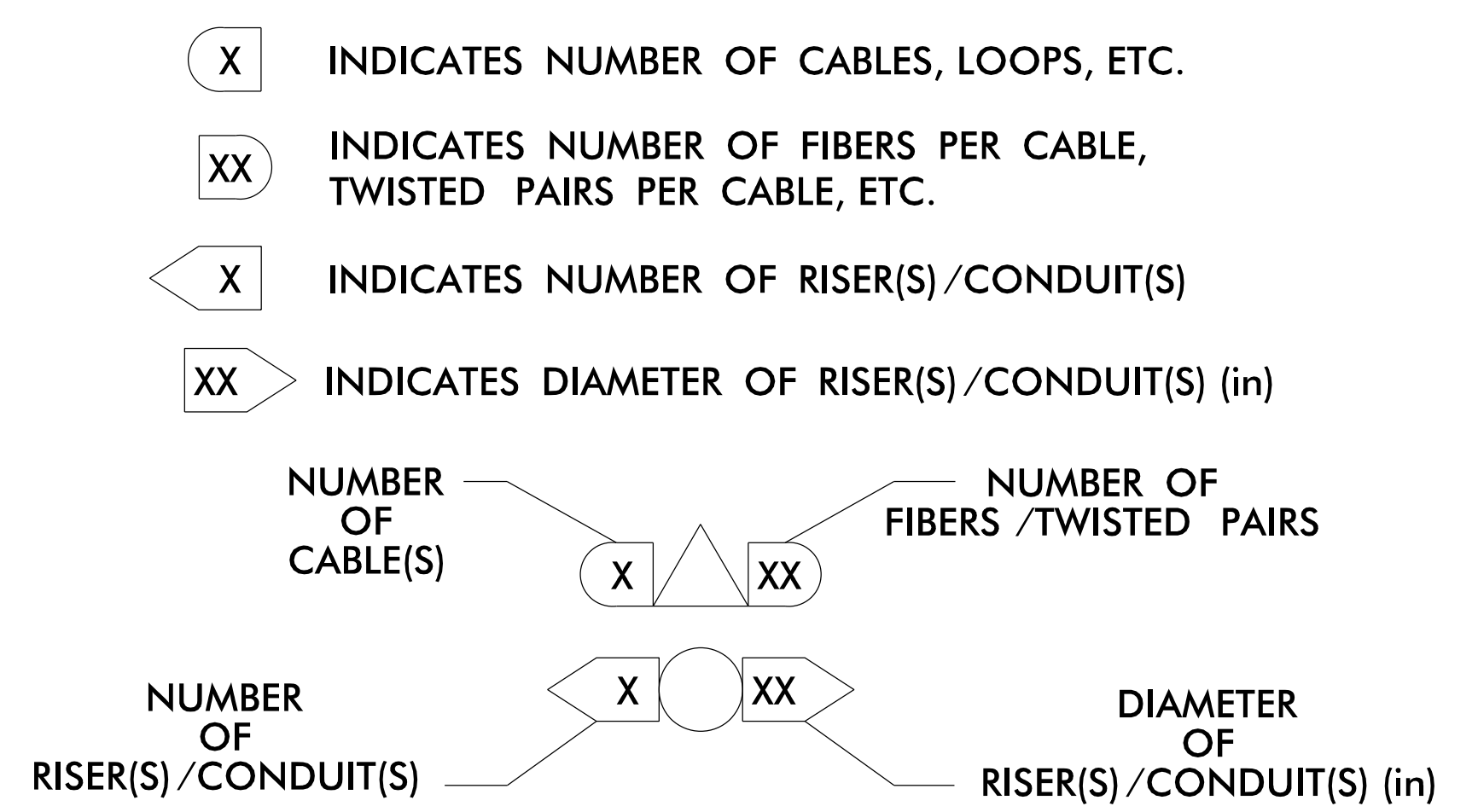


- 1 INSTALL COMPOSITE CCTV CABLE
- 2 INSTALL 3 WIRE FEEDER CONDUCTORS
- 3 INSTALL CATEGORY 5E CABLE
- 4 INSTALL SMFO CABLE
- 5 BACK-PULL EXIST SMFO CABLE
- 6 INSTALL FIBER-OPTIC DROP CABLE
- 7 INSTALL TRACER WIRE
- 8 TRENCH CONDUIT
- 9 INSTALL PVC CONDUIT
- 10 INSTALL RIGID, GALVANIZED STEEL CONDUIT
- 11 INSTALL RIGID, GALVANIZED STEEL RISER WITH WEATHERHEAD
- 12 INSTALL RIGID, GALVANIZED STEEL RISER WITH HEAT SHRINK TUBING
- 13 INSTALL HEAT SHRINK TUBING RETROFIT KIT
- 14 INSTALL HIGH DENSITY POLYETHYLENE CONDUIT
- 15 DIRECTIONAL DRILL CONDUIT
- 16 BORE AND JACK CONDUIT
- 17 INSTALL CABLE(S) IN EXISTING CONDUIT
- 18 INSTALL CABLE(S) IN NEW CONDUIT
- 19 INSTALL CABLE(S) IN EXISTING RISER(S)
- 20 INSTALL CABLE(S) IN NEW RISER(S)
- 21 INSTALL CABLE(S) IN EXISTING CABINET ENTRANCE
- 22 INSTALL NEW CONDUIT INTO CABINET BASE (USE EX CONDUIT STUBOUTS WHEN AVAILABLE)
- 23 INSTALL NEW RISER INTO CABINET BASE (USE EX CONDUIT STUBOUTS WHEN AVAILABLE)
- 24 INSTALL NEW CONDUIT INTO POLE MOUNTED CABINET
- 25 INSTALL NEW RISER INTO POLE MOUNTED CABINET
- 26 INSTALL DIGITAL VIDEO ENCODER
- 27 INSTALL NEW ETHERNET EDGE SWITCH IN CABINET
- 28 INSTALL INTERCONNECT CENTER, PATCH PANEL, JUMPERS, AND FUSION SPLICE CABLE IN CABINET
- 29 INSTALL UNDERGROUND SPLICE ENCLOSURE
- 30 INSTALL AERIAL SPLICE ENCLOSURE
- 31 INSTALL SPLICE CABINET
- 32 MODIFY EXISTING SPLICE ENCLOSURE OR INTERCONNECT CENTER
- 33 REMOVE EXISTING SPLICE /HUB /CCTV CABINET
- 34 INSTALL CABINET FOUNDATION
- 35 REMOVE EXISTING CABINET FOUNDATION
- 36 INSTALL CCTV CAMERA ASSEMBLY

- 37 INSTALL CCTV CAMERA METAL POLE AND FOUNDATION
- 38 INSTALL STANDARD SIZE JUNCTION BOX
- 39 INSTALL SPECIAL-SIZED JUNCTION BOX
- 40 INSTALL OVERSIZED JUNCTION BOX
- 41 REMOVE EXISTING JUNCTION BOX
- 42 INSTALL WOOD POLE
- 43 REMOVE EXISTING WOOD POLE
- 44 INSTALL AERIAL GUY ASSEMBLY
- 45 INSTALL DOWN GUY ASSEMBLY
- 46 INSTALL SIDEWALK GUY ASSEMBLY
- 47 INSTALL MESSENGER CABLE
- 48 REMOVE EXISTING COMMUNICATIONS CABLE AND MESSENGER CABLE
- 49 REMOVE EXISTING COMMUNICATIONS CABLE
- 50 INSTALL WIRELESS DSL
- 51 INSTALL CABLE STORAGE GUIDE(S) [SNOW SHOE(S)] AND STORE 100 FEET OF CABLE
- 52 INSTALL DELINEATOR MARKER
- 53 STORE 50 FEET OF COMMUNICATIONS CABLE (EACH CABLE)
- 54 LASH CABLE(S) TO EXISTING SIGNAL/COMMUNICATIONS CABLE
- 55 LASH CABLE(S) TO EXISTING MESSENGER CABLE
- 56 LASH CABLE(S) TO NEW MESSENGER CABLE
- 57 MODIFY EXISTING ELECTRICAL SERVICE FOR CCTV
- 58 INSTALL NEW ELECTRICAL SERVICE FOR CCTV
- 59 INSTALL NEW POLE MOUNTED CCTV CABINET (336)
- 60 REMOVE EXISTING METAL CCTV POLE AND FOUNDATION
- 61 REMOVE EXISTING CCTV CAMERA ASSEMBLY
- 62 NEW CABINET ENTRANCE INTO NEW FOUNDATION
- 63 DRILL/CORE DRILL EXISTING FOUNDATION
- 64 INTERCEPT AND REROUTE EXISTING CONDUITS
- 65 BOND MESSENGER TO POLE GROUND
- 66 BOND RISER TO POLE GROUND
- 67 BOND TRACER WIRE TO EQUIPMENT GROUND BUS
- 68 BOND TRACER WIRE TO POLE GROUND
- 69 INSTALL MANAGED ETHERNET SWITCH
- 70 INSTALL CCTV METAL POLE AND FOUNDATION
- 71 INSTALL DISCONNECT ON CCTV POLE

LEGEND		
PROPOSED		EXISTING
	OVERHEAD FIBER OPTIC CABLE	
	DIRECTIONAL DRILLED CONDUIT	
	UNDERGROUND CONDUIT	
	OVERHEAD FIBER OPTIC CABLE REMOVAL	N/A
	WOOD POLE	
	METAL POLE	
	OVERSIZED /SPECIAL SIZED JUNCTION BOX	
	CCTV CAMERA ASSEMBLY	
	EQUIPMENT CABINET	
	SIGNAL INVENTORY NUMBER	
	CCTV CAMERA NUMBER	
	AERIAL SPLICE ENCLOSURE	
	UNDERGROUND SPLICE ENCLOSURE	
	CABLE STORAGE GUIDES (SNOW SHOES)	
	STANDARD GUY ASSEMBLY	
	SIDEWALK GUY ASSEMBLY	

**CONSTRUCTION NOTE SYMBOLOGY KEY**



**ATKINS** 1616 EAST MILLBROOK ROAD, SUITE 310  
 RALEIGH, NORTH CAROLINA 27609  
 (919) 876-6888 NCBEEES #F-0326

DOCUMENT NOT CONSIDERED FINAL  
 UNLESS ALL SIGNATURES COMPLETED

	<b>ITS Construction Notes and Legend</b>		
	Division 4	Nash County	
750 N. Greenfield Pkwy, Garner, NC 27529	PLAN DATE: January 2017	REVIEWED BY: JT Brooks	1/30/2017 DATE
	PREPARED BY: JA Wiles	REVIEWED BY:	
NTS	REVISIONS	INIT.	DATE

30-Jan-2017 15:27  
 D:\projects\2017\15-27\02-ITSC\scop\0002135\_U-3330\_Signal\smo4\_CR\Special\_Detrol\smo4-3330\_SCP\_7.dgn  
 WILE2054 AT DUS300019