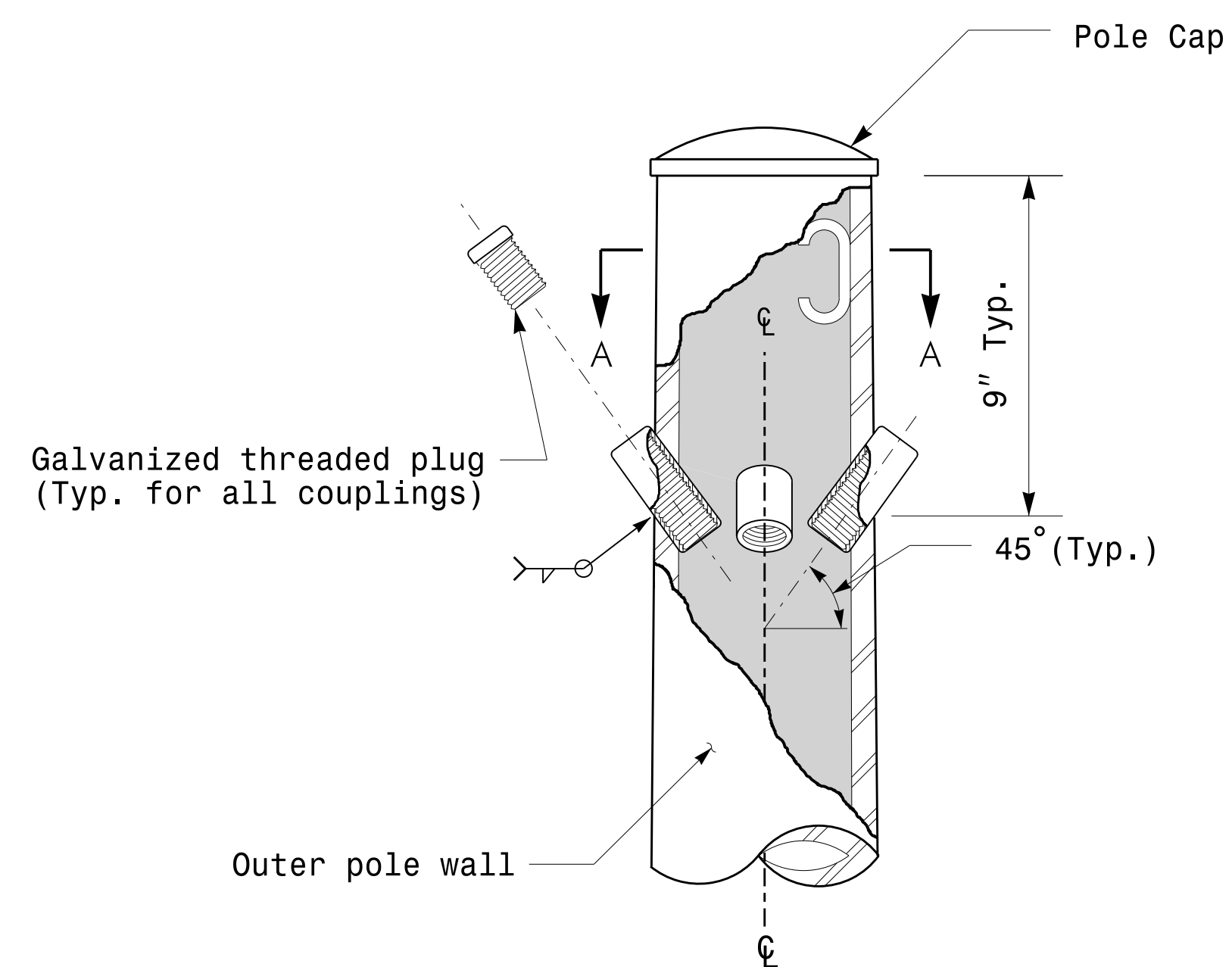
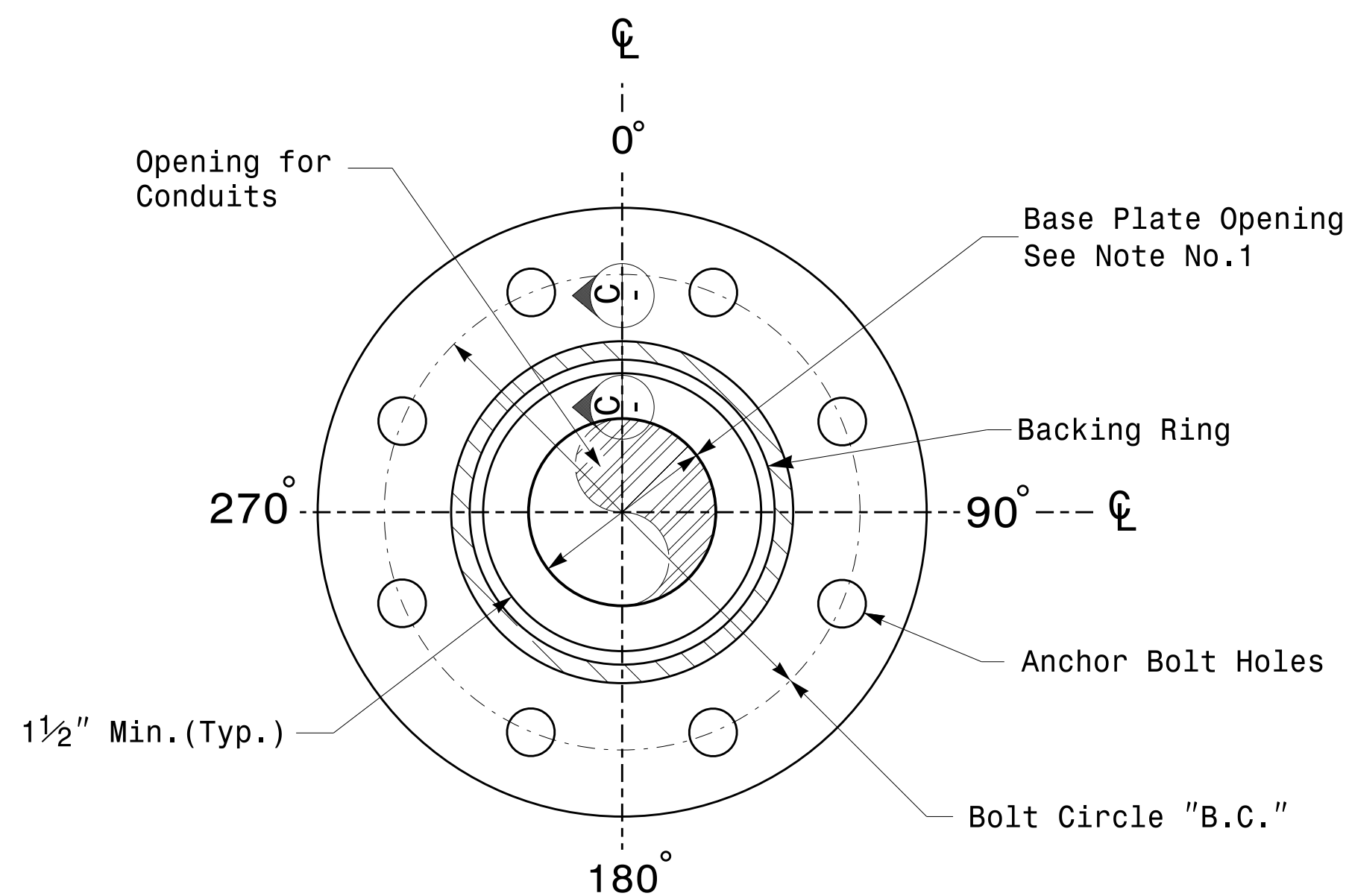


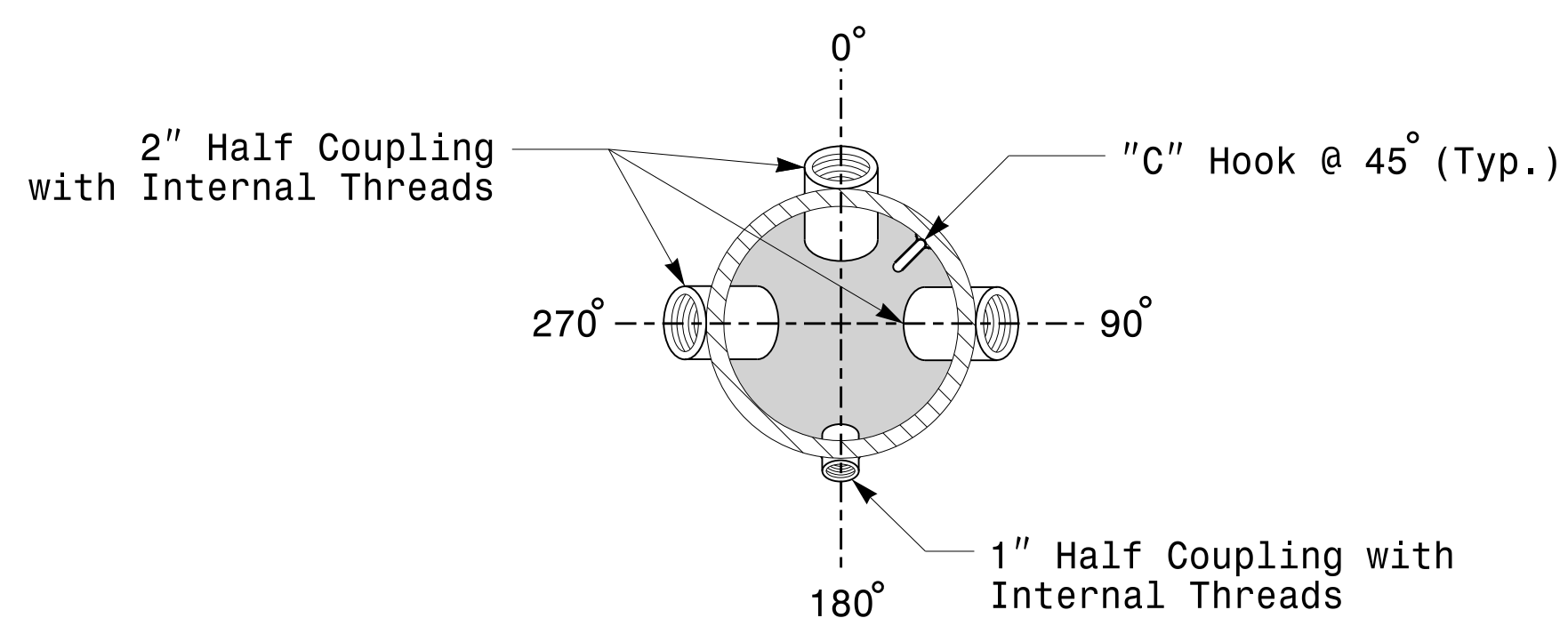
Note:
 1. Opening in pole base plate shall be equal to pole base inside diameter minus 3 1/2" but shall not be less than 8 1/2".



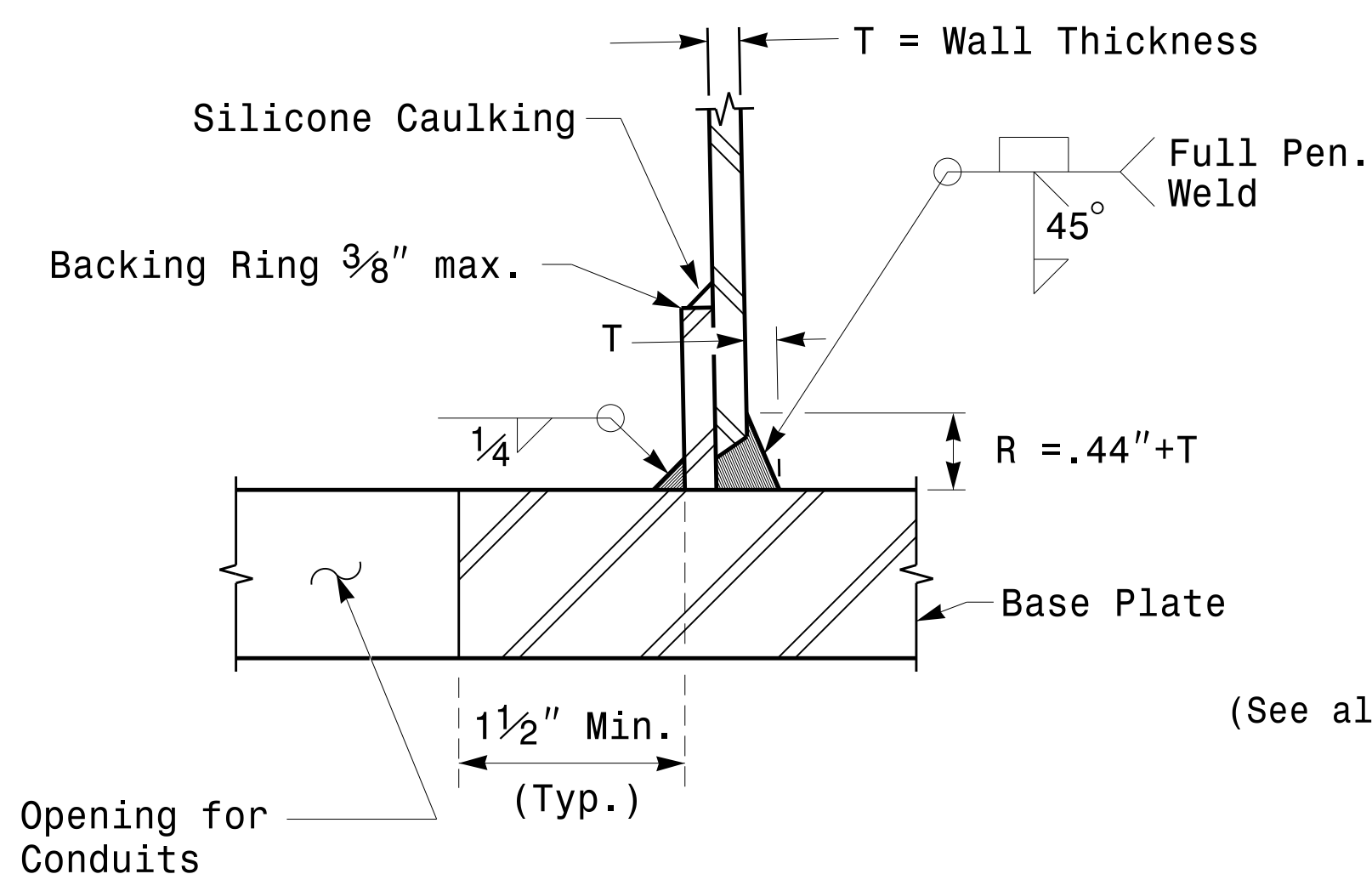
Cable Entrances at Top of Pole



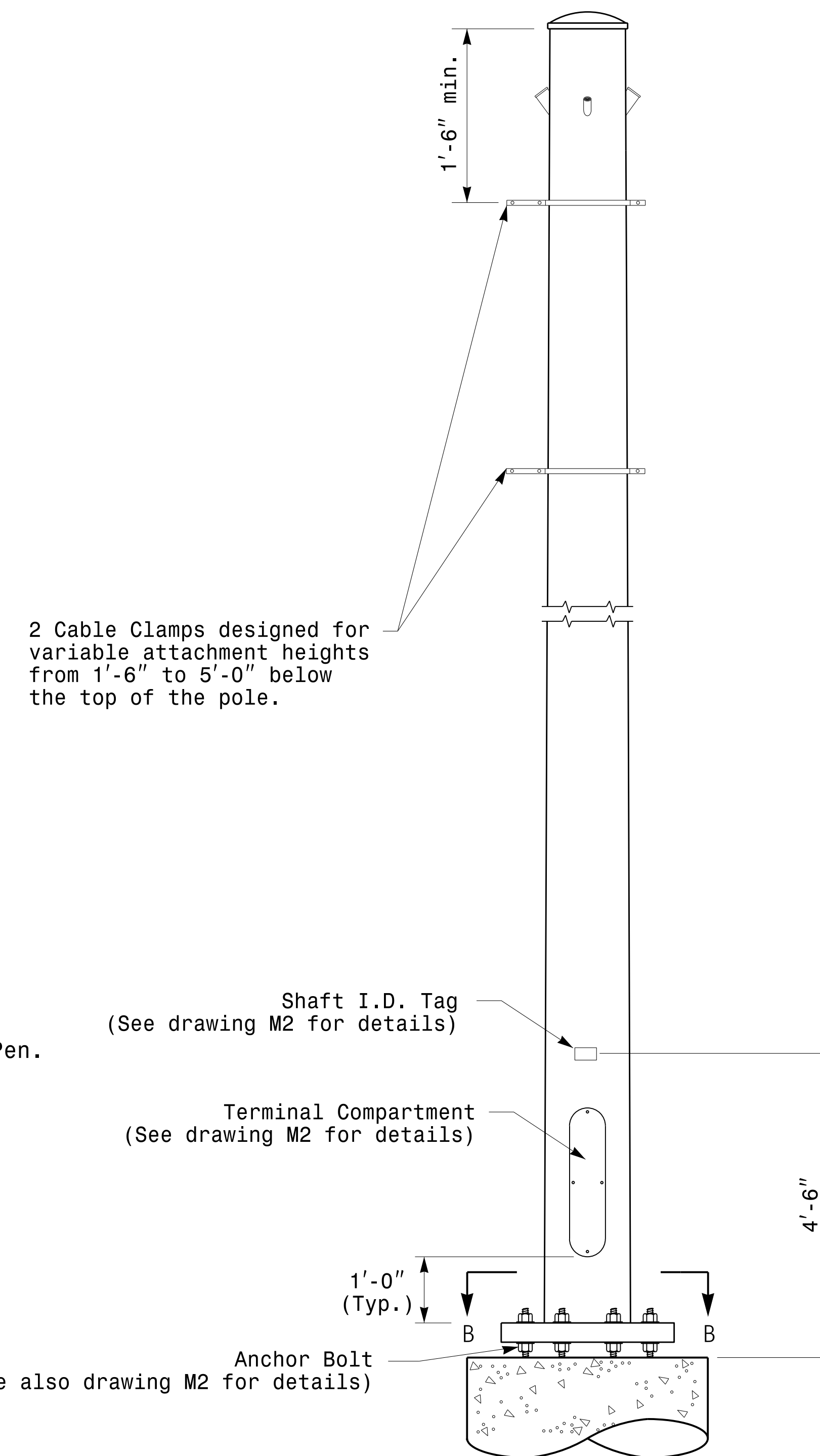
Section B-B Pole Base Plate Details (8 and 12 Bolt Pattern)



Section A-A Radial Orientation for Factory Installed Accessories at Top of Pole



Section C-C Full-Penetration Groove Weld Detail (Pole Attachment to Base Plate)



Monotube Strain Pole

Prepared in the Offices of:

 750 N. Greenfield Pkwy, Garner, NC 27529

Typical Fabrication Details For Strain Poles

PLAN DATE: FEBRUARY 2016	DESIGNED BY: K.C. DURIGON
PREPARED BY: N. BITTING	REVIEWED BY: D.C. SARKAR
REVISIONS	INIT. DATE

SEAL

 DocuSigned by:
 Debesh C. Sarkar
 SIGNATURE
 44E8E32E147E4C4...
 2/17/2016
 DATE

Fabrication Details – Strain Poles