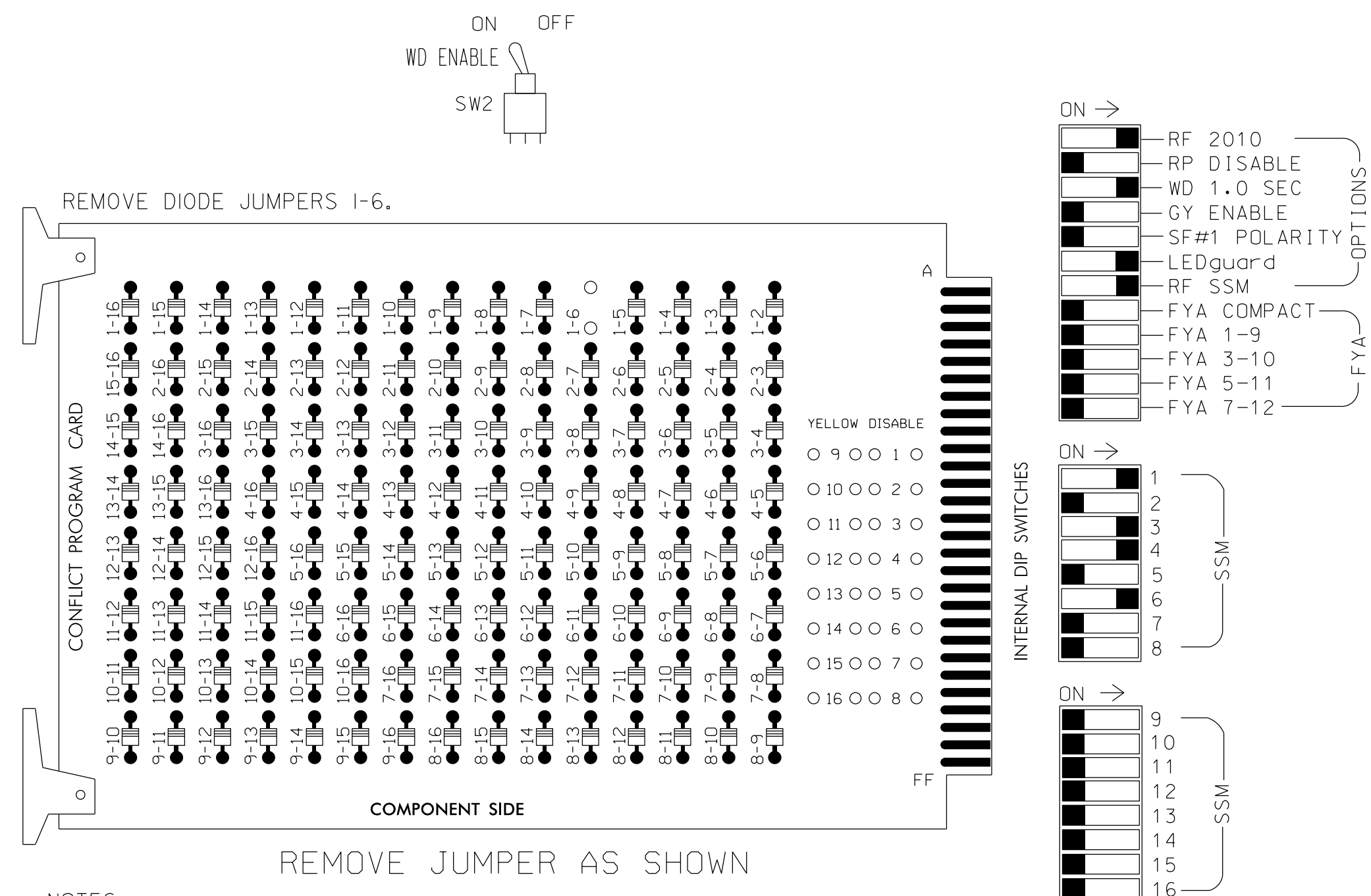


EDI MODEL 2010ECL-NC CONFLICT MONITOR PROGRAMMING DETAIL

(remove jumper and set switches as shown)



NOTES:

1. Card is provided with all diode jumpers in place. Removal of any jumper allows its channels to run concurrently.
2. Make sure jumpers SEL2-SEL5 are present on the monitor board.

NOTES

1. To prevent "flash-conflict" problems, insert red flash program blocks for all unused vehicle load switches in the output file. The installer shall verify that signal heads flash in accordance with the Signal Plans.
2. Ensure that Red Enable is active at all times during normal operation. To prevent Red Failures on unused monitor channels, tie unused red monitor inputs 2,5,7,8, 9,10,11,12,13,14,15 & 16 to load switch AC+ per the cabinet manufacturer's instructions.
3. Enable Simultaneous Gap-Out for all phases.
4. Program phase 6 for Start Up In Green.
5. Program phase 6 for Yellow Flash.
6. The cabinet and controller are part of the Rocky Mount Signal System.

EQUIPMENT INFORMATION

CONTROLLER.....2070
 CABINET.....EXISTING 332
 SOFTWARE.....ECONOLITE OASIS
 CABINET MOUNT.....BASE
 OUTPUT FILE POSITIONS...12
 LOAD SWITCHES USED.....S1,S3,S4,S6
 PHASES USED.....1,3,4,6

PROJECT REFERENCE NO.	SHEET NO.
U-3330	Sig. 4.1

SIGNAL HEAD HOOK-UP CHART

LOAD SWITCH NO.	S1	S2	S2P	S3	S4	S4P	S5	S6	S6P	S7	S8	S8P
PHASE	1	2	2 PED	3	4	4 PED	5	6	6 PED	7	8	8 PED
SIGNAL HEAD NO.	11	NU	NU	31	32	41	42	NU	NU	61,62	NU	NU
RED				116	116	101	101			134		
YELLOW				117	117	102	102			135		
GREEN				118	118	103	103			136		
RED ARROW	125											
YELLOW ARROW	126											
GREEN ARROW	127			118		103						

NU = Not Used

Temporarily disconnect heads 21, 22, and 51.

EMERGENCY VEHICLE PREEMPTION PROGRAMMING DETAIL

(program controller as shown below)

From Main Menu press 'A' (Preemption), then '1' (Standard Preemptions). Press 'NEXT' to advance to Preemption #3.

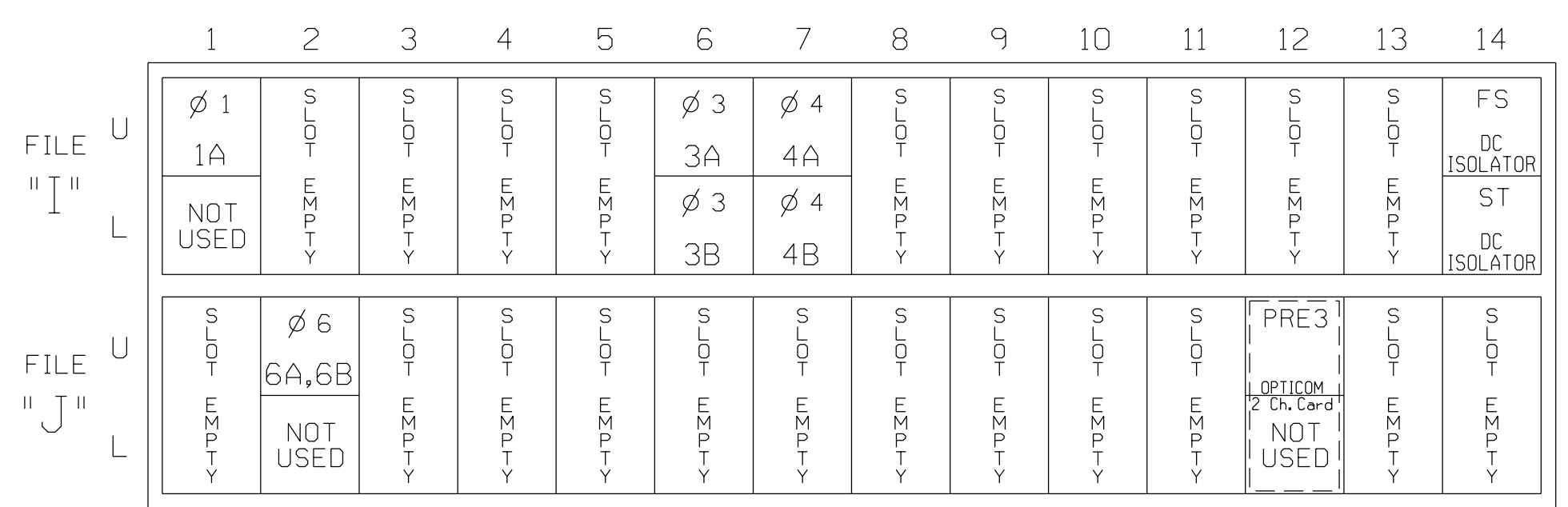
PREEMPTION #	SETTINGS (NEXT:1-10)
INTERVAL/TIMING	CLEAR/DWELL PHASES
GRN YEL RED	12345678910111213141516
1 255 0.0 0.0	X X
2 0 0.0 0.0	
3 0 0.0 0.0	
4 0 0.0 0.0	
5 0 0.0 0.0	
EXIT CALLS	
OPTIONS	
PRIORITY (Y/N TO SELECT)MED
DELAY TIMER (0-255 SEC)0
MIN GREEN BEFORE PRE (0= DEFAULT)1
PED CLEAR BEFORE PRE (0= DEFAULT)0
YELLOW CLEAR BEFORE PRE (0= DEFAULT)0.0
RED CLEAR BEFORE PRE (0= DEFAULT)0.0
DWELL MIN TIMER (0-255 SEC)10
DWELL MAX TIMER (0=OFF,1-255MIN)0
DWELL HOLD-OVER TIMER (0-255)0
LATCH CALL?N
LINK TO NEXT PREEMPT?N
ENABLE BACKUP PROTECTION?N
HOLD CLEAR 1 PHASES DURING DELAY?N
FAST GREEN FLASH DWELL PHASES?N
PED CLEARANCE THROUGH YELLOW?N
INHIBIT OVERLAP GREEN EXTENSION?N
SERVICE DURING SOFTWARE FLASH?N
REST IN RED DURING DWELL INTERVAL?N
FLASH DWELL INTERVAL?N
ALLOW PEDS IN DWELL INTERVAL?N
RE-TIME DWELL INTERVAL?N
OVERLAPS:	ABCDEF GHIJKLMN OP
DWELL INT FLASH YELLOW	
OMIT OVERLAPS:	

PROGRAMMING COMPLETE

Program extend time on optical detector unit for 5.0 seconds.

INPUT FILE POSITION LAYOUT

(front view)

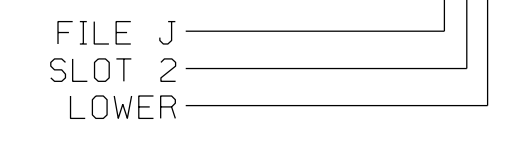


EX.: 1A, 2A, ETC. = LOOP NO.'S

FS = FLASH SENSE
 ST = STOP TIME
 PRE = PREEMPT

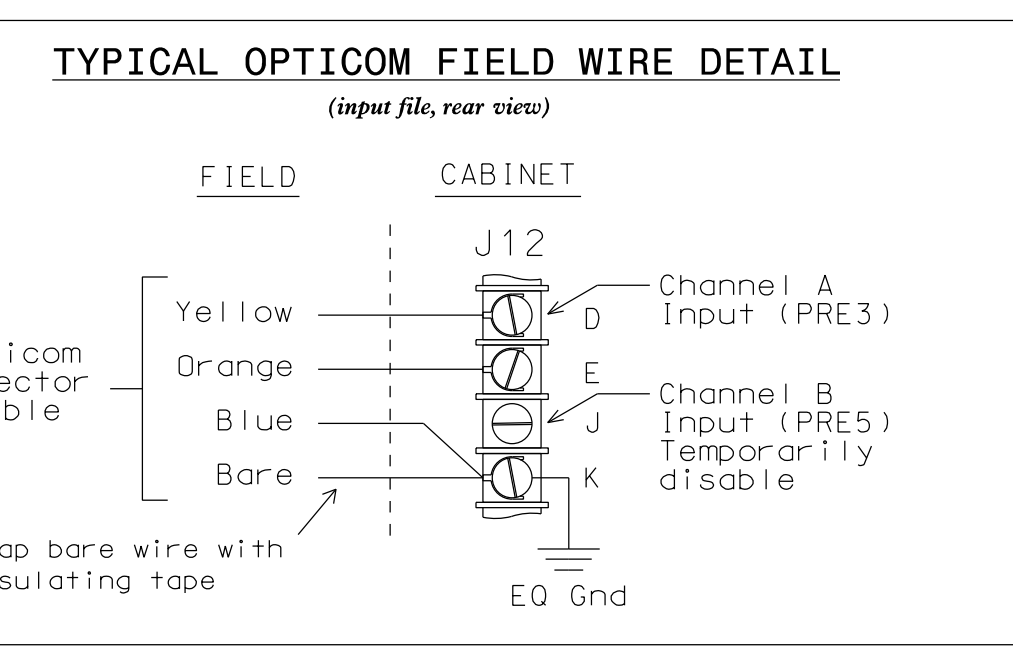
Temporarily disconnect loops 2A, 2B & 5A.

INPUT FILE POSITION LEGEND: J2L



INPUT FILE CONNECTION & PROGRAMMING CHART

LOOP NO.	LOOP TERMINAL	INPUT FILE POS.	PIN NO.	INPUT ASSIGNMENT NO.	DETECTOR NO.	NEMA PHASE	CALL	EXTEND	FULL TIME DELAY	STRETCH TIME	DELAY TIME
1A	TB2-1,2	I1U	56	18	1	1	Y	Y			
3A	TB4-9,10	I6U	41	3	4	3	Y	Y			3
3B	TB4-11,12	I6L	45	7	14	3	Y	Y			15
4A	TB6-1,2	I7U	65	27	34	4	Y	Y			3
4B	TB6-3,4	I7L	78	40	44	4	Y	Y			10
6A,6B	TB3-5,6	J2U	40	2	6	6	Y	Y			



THIS ELECTRICAL DETAIL IS FOR THE SIGNAL DESIGN: 04-0666T1
 DESIGNED: November 2016
 SEALED: 1/30/2017
 REVISED:

ELECTRICAL DETAIL - Temporary Design 1

DOCUMENT NOT CONSIDERED FINAL UNLESS ALL SIGNATURES COMPLETED

Prepared for the Offices of: NORTH CAROLINA DEPARTMENT OF TRANSPORTATION Traffic Management Section	US 64 Business (Sunset Avenue) at Irving Street		SEAL NORTH CAROLINA PROFESSIONAL ENGINEER SEAL 025892 MELISSA B. TOTH
	Division 04 PLAN DATE: November 2016 PREPARED BY: AM Encarnacion	Nash County REVIEWED BY: MB Toth REVIEWED BY:	
Revisions table with columns for Revisions, Init., and Date.			Date: 1/30/2017 Signature: Melissa B. Toth Date:

ATKINS 1616 EAST MILLBROOK ROAD, SUITE 160
 RALEIGH, NORTH CAROLINA 27609
 (919) 876-6888 NCBEEES #F-0326

30-JAN-2017 17:06 D:\Programs\atkins\proj\00002135_U-3330_Signal\sm42_Signal\sm42\Bas\gn401_Wir\mp404-0666T1E.dgn ENC45986 - AT U059021