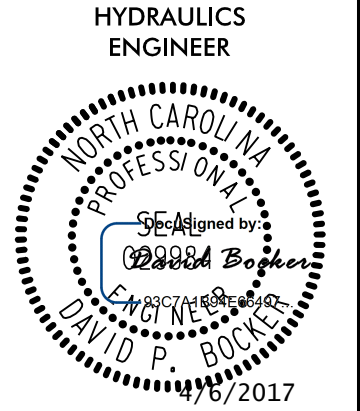
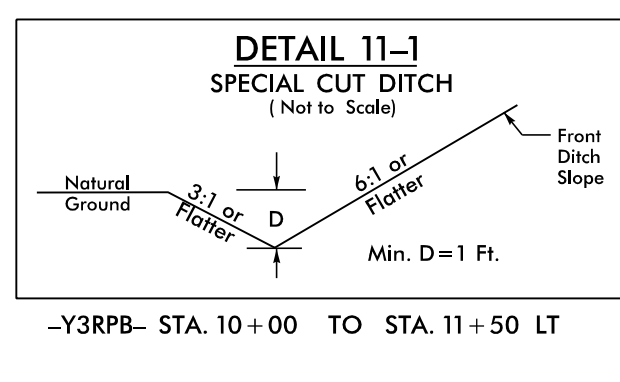
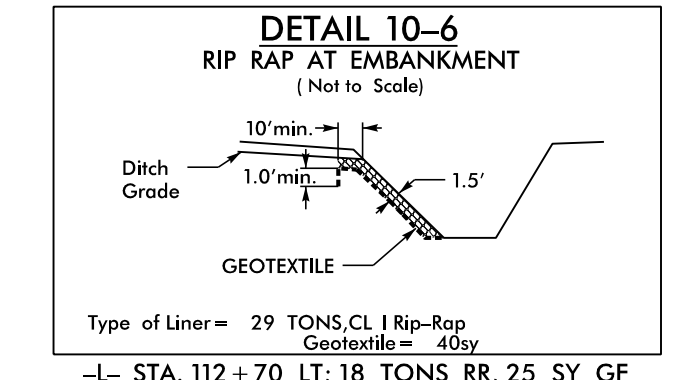
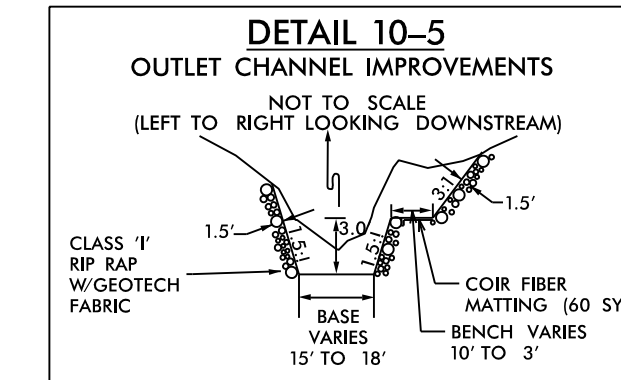
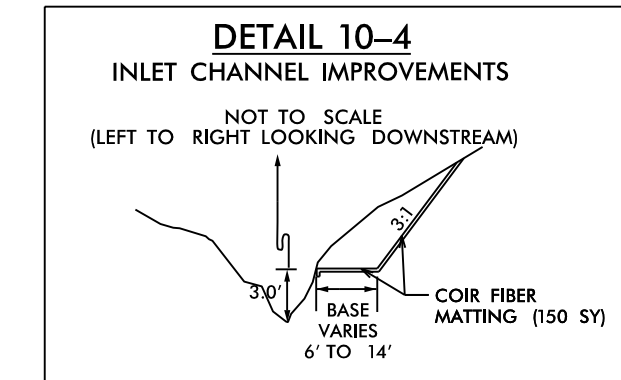
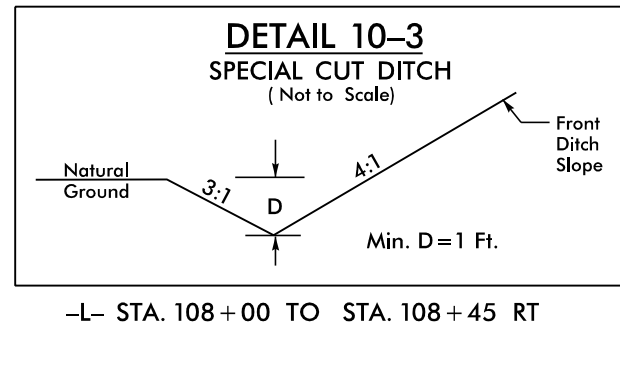
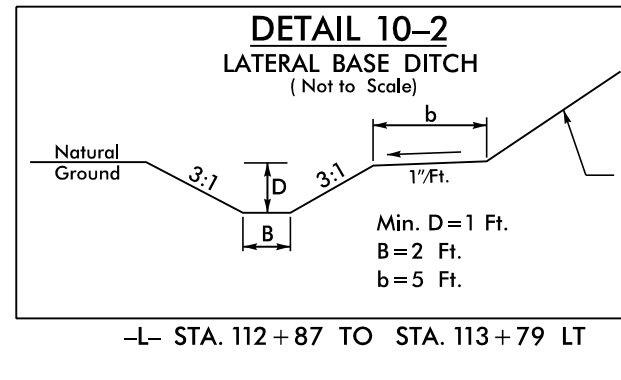
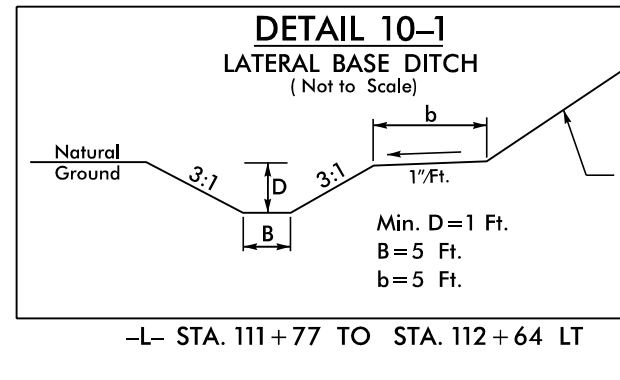
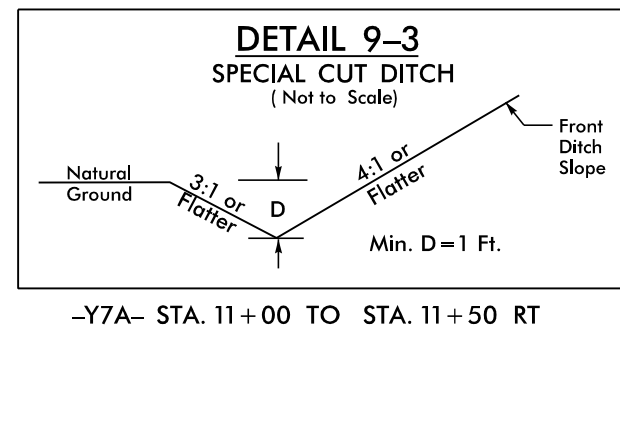
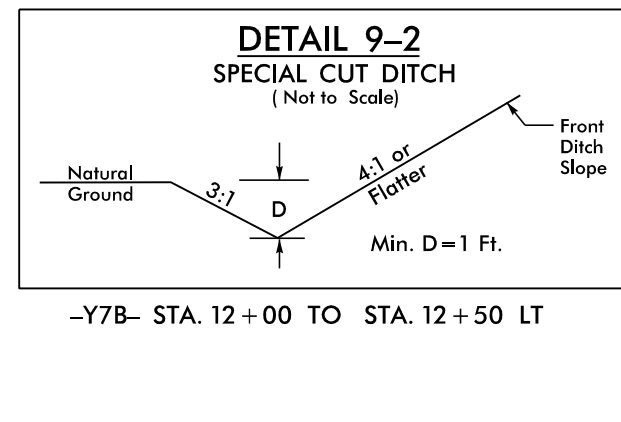
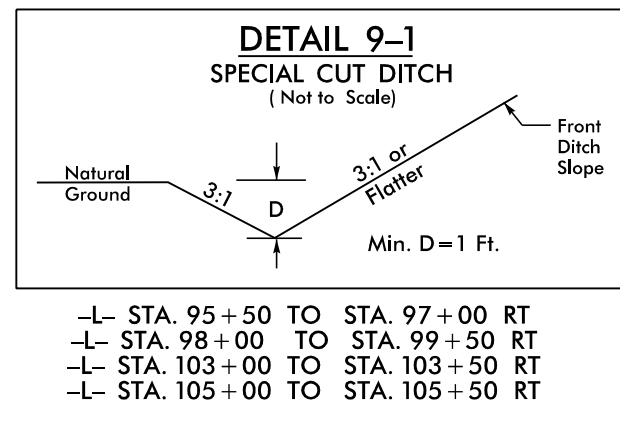
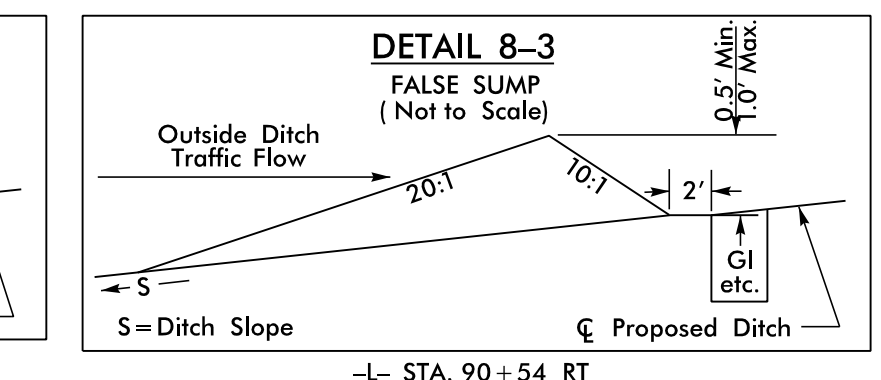
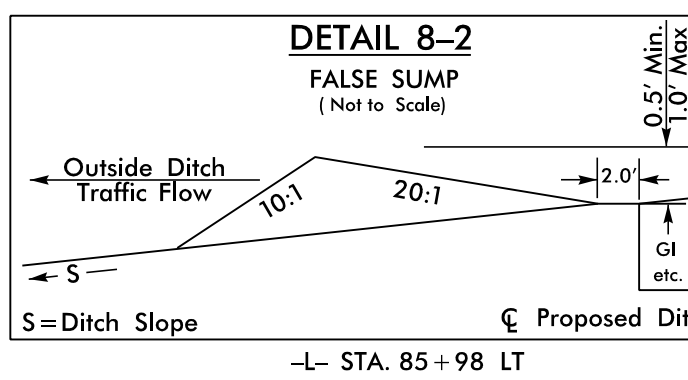
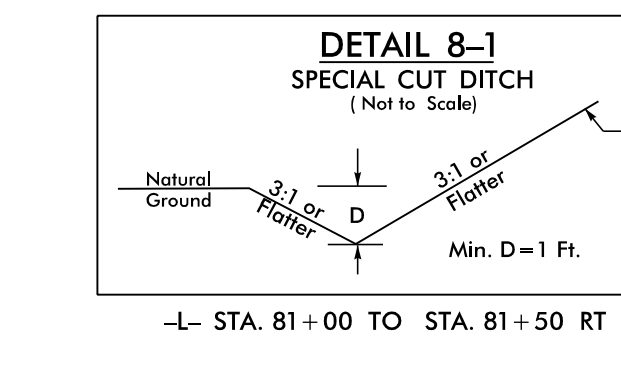
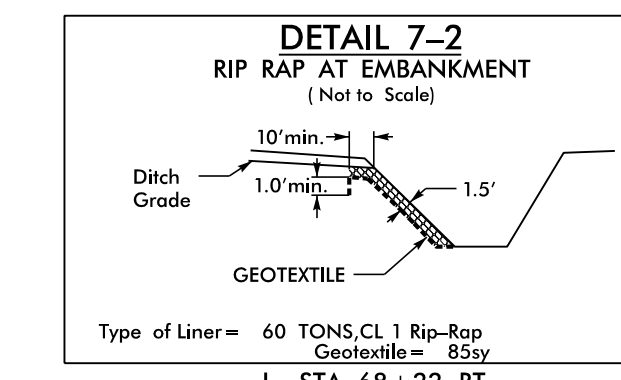
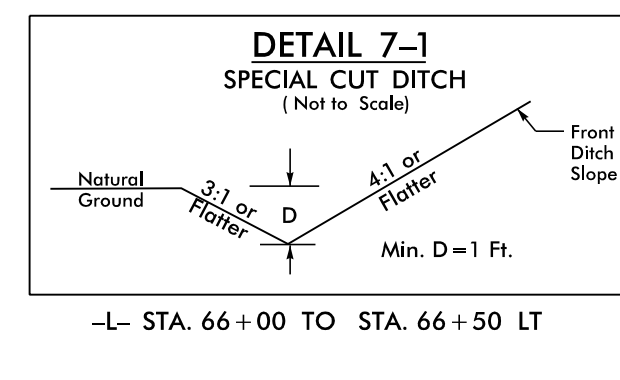
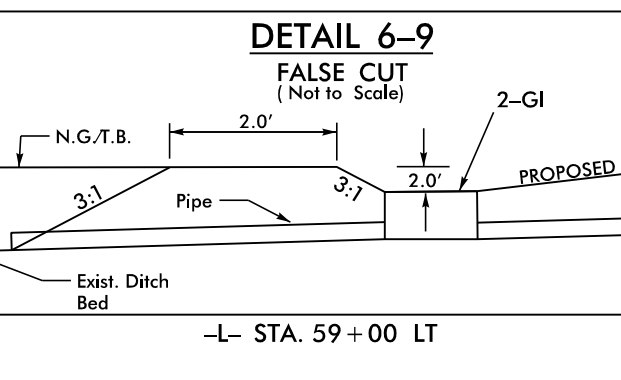
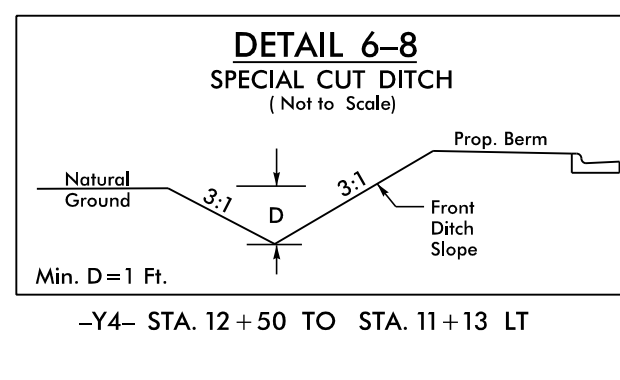
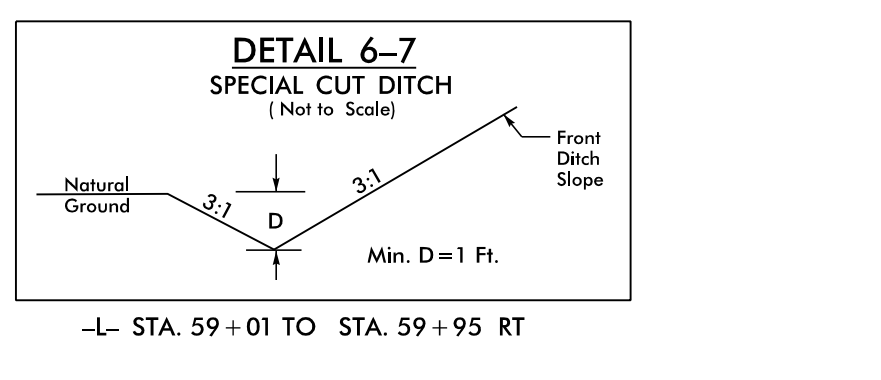
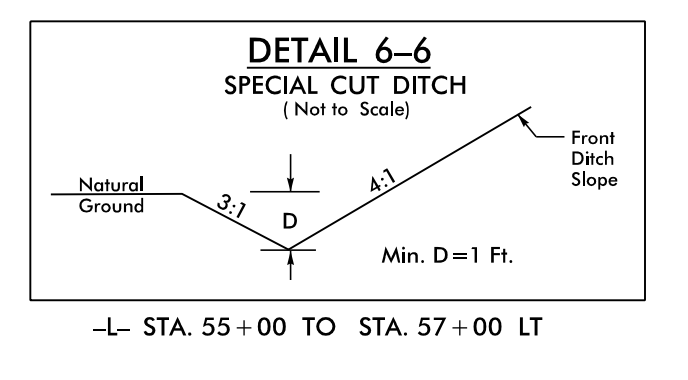
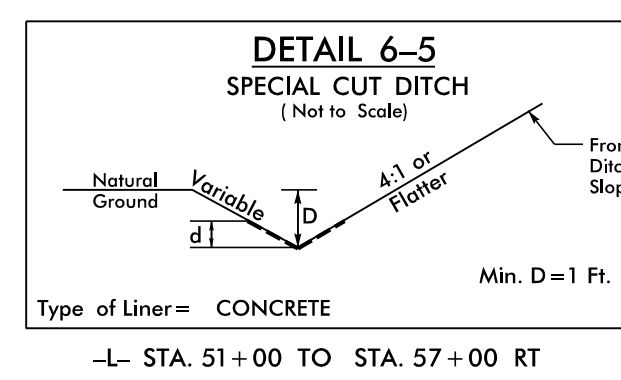
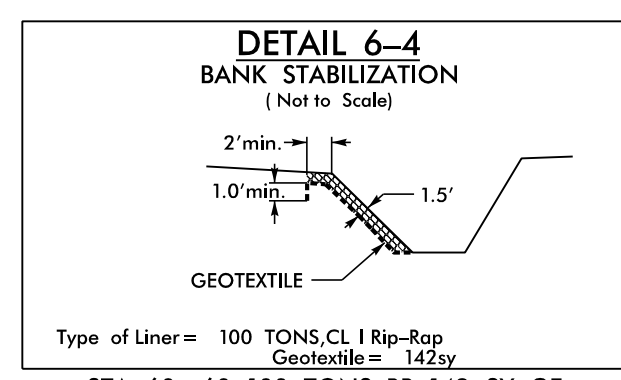
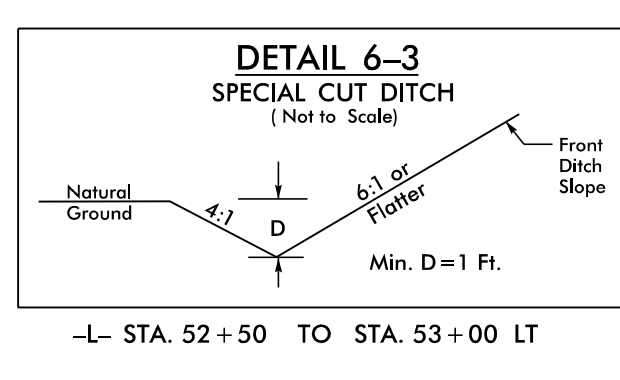
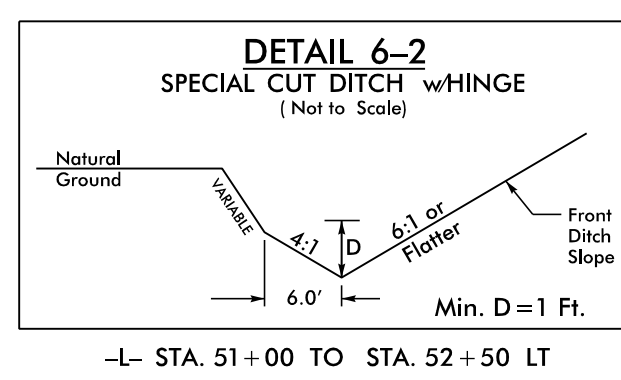
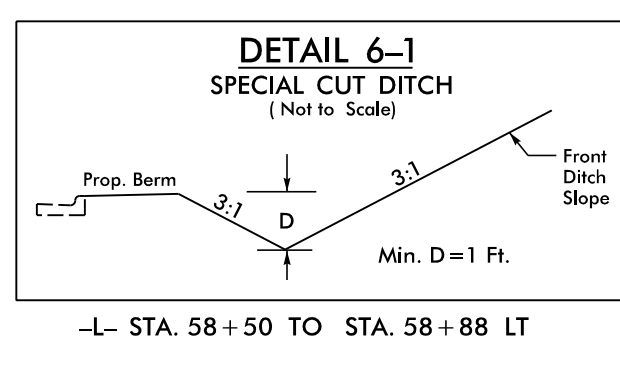
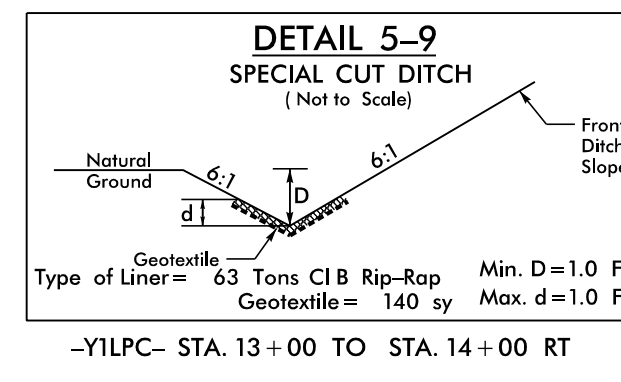
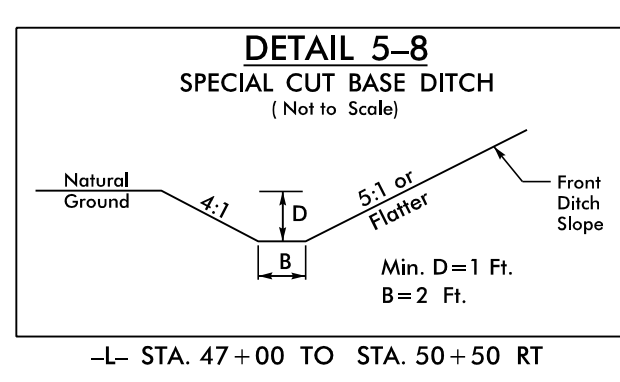
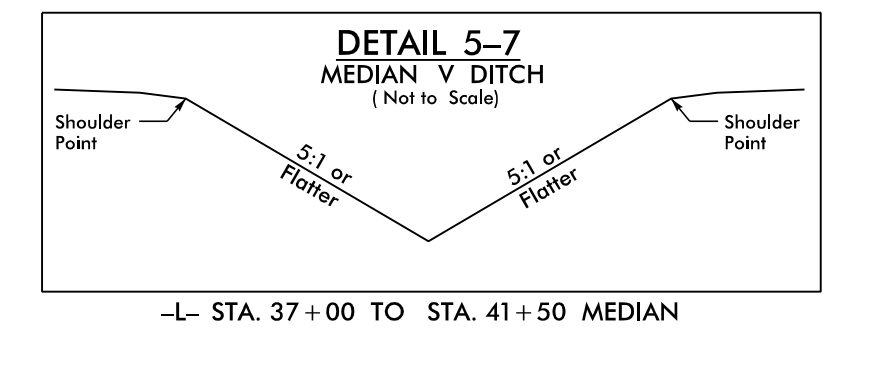
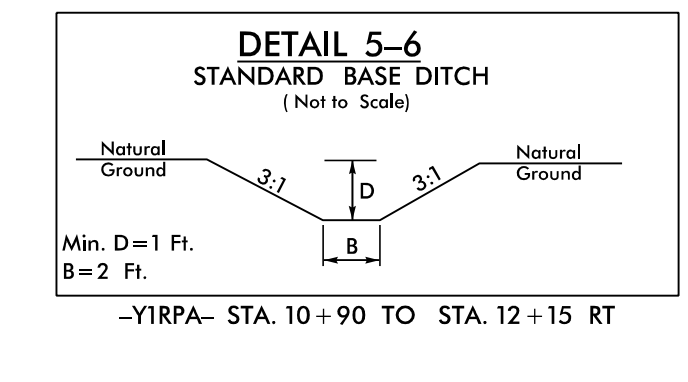
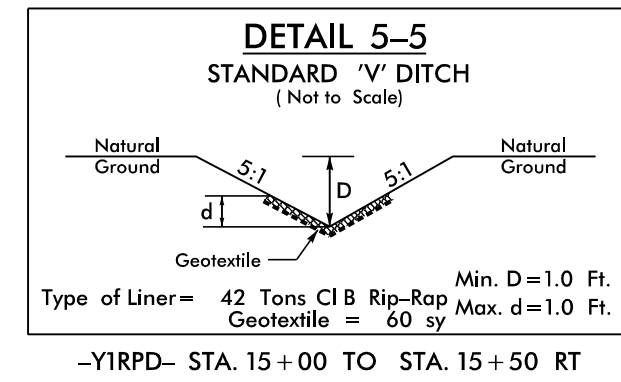
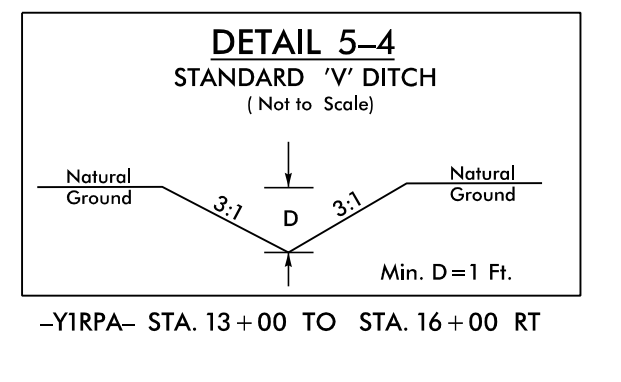
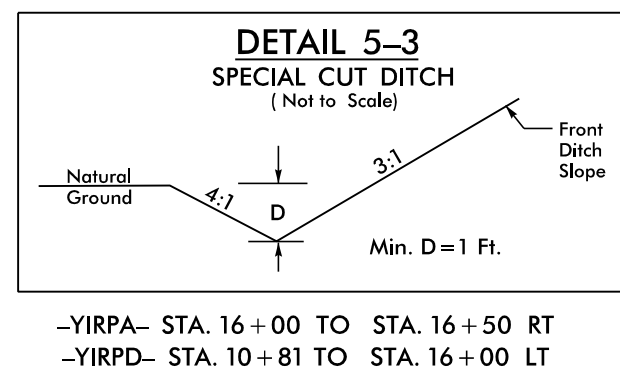
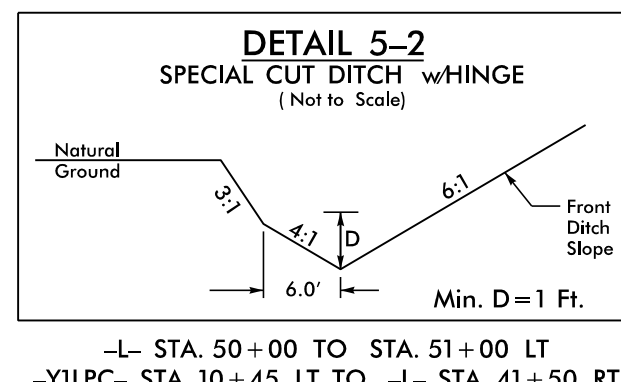
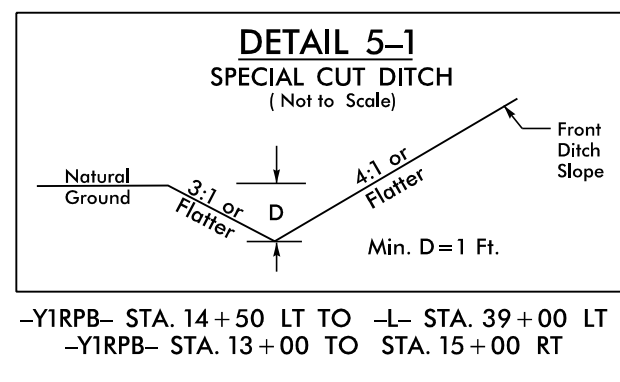
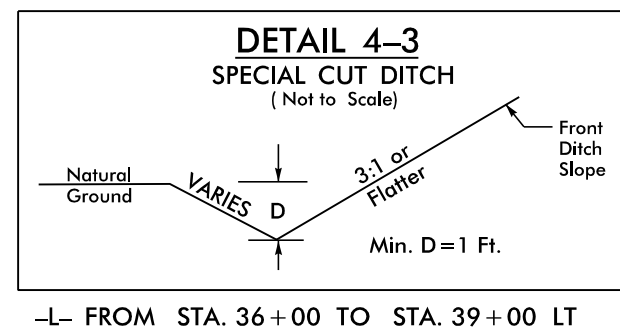
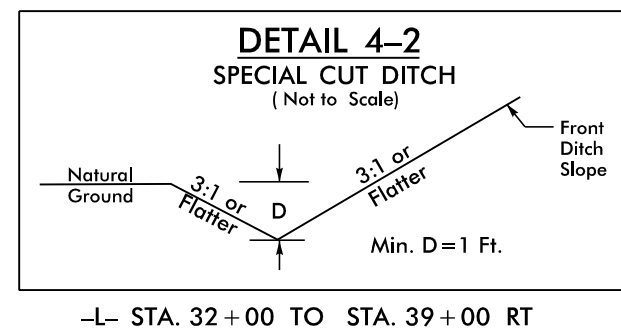
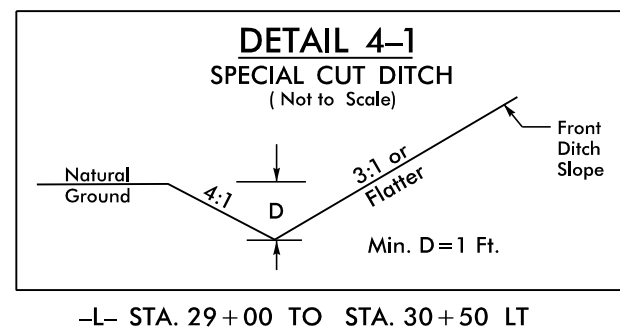


DRAINAGE DITCH DETAILS

PROJECT REFERENCE NO.	SHEET NO.
U-3330	2D-1
RW SHEET NO.	



DOCUMENT NOT CONSIDERED FINAL UNLESS ALL SIGNATURES COMPLETED



CALYX
ENGINEERS + CONSULTANTS
Formerly Mulkey Engineers & Consultants
7500 EAST INDEPENDENCE
BOULEVARD, SUITE 100
CHARLOTTE, NC 28227
phone: 704.537.7300
CALYXengineers.com
NC License # F-1333

4/5/2017 10:51:23 AM H:\Projects\2013\2013059\00\CLIENT\Roadway\Proc\U3330\RDY_PSH\Detail\Detail1.scdgn