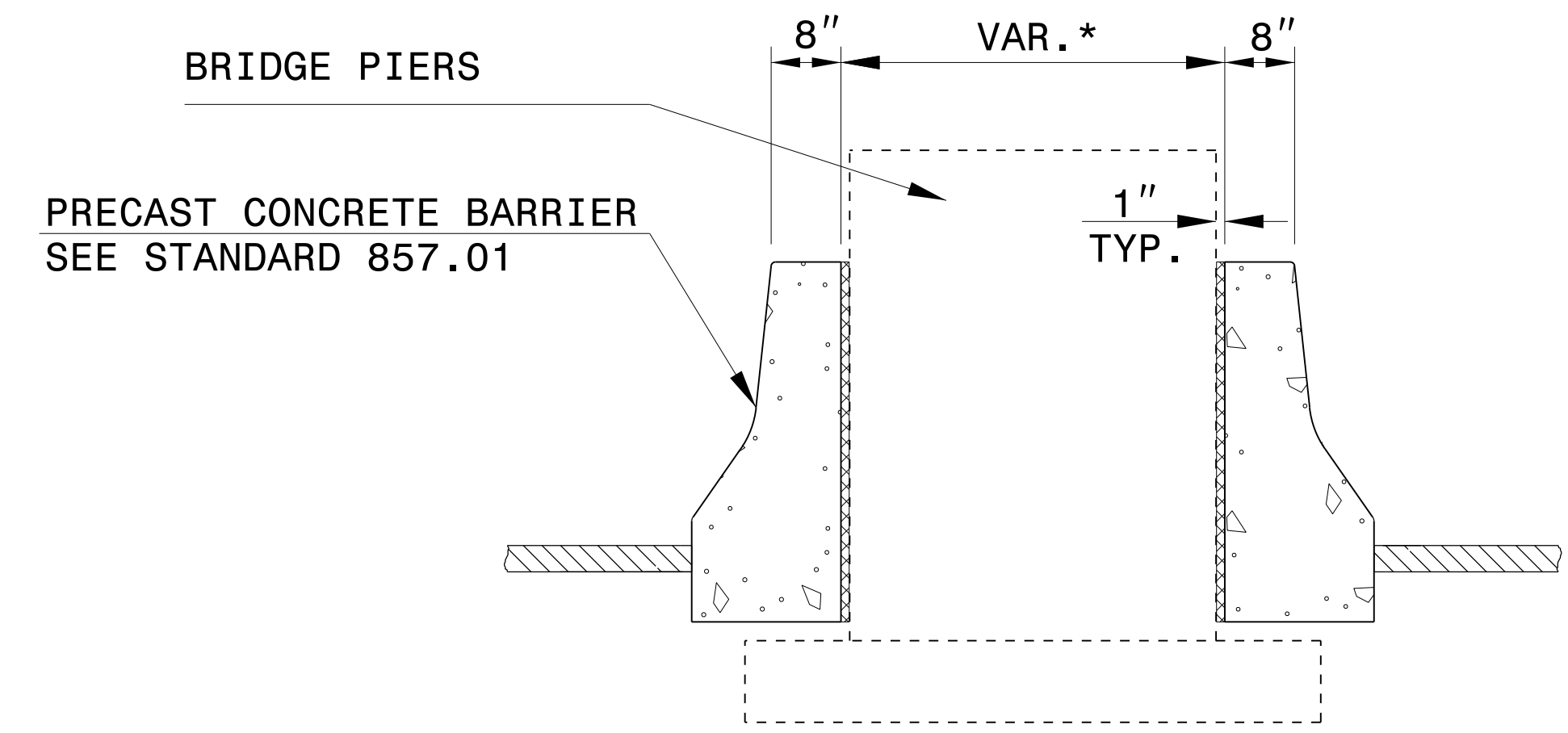
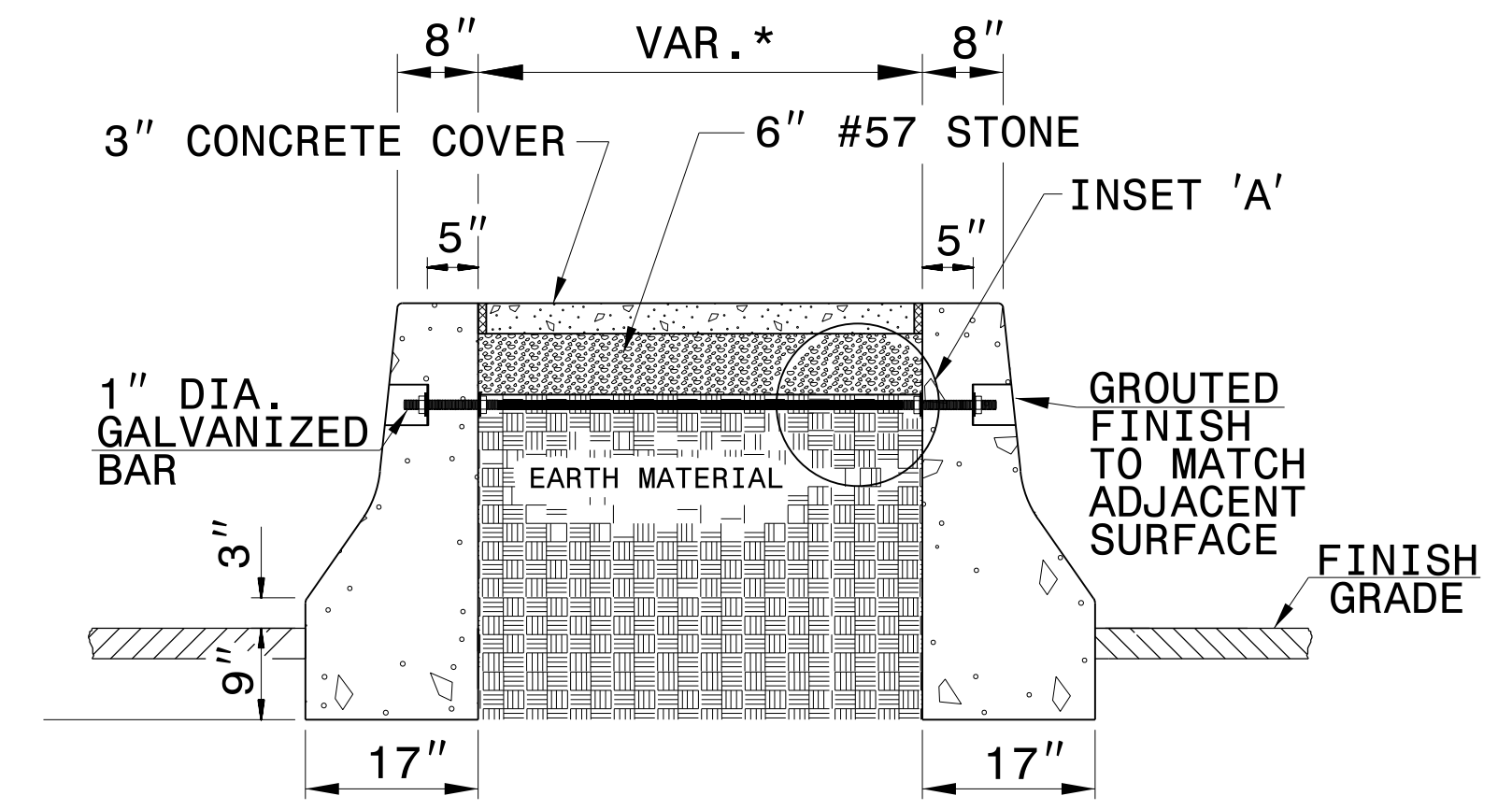


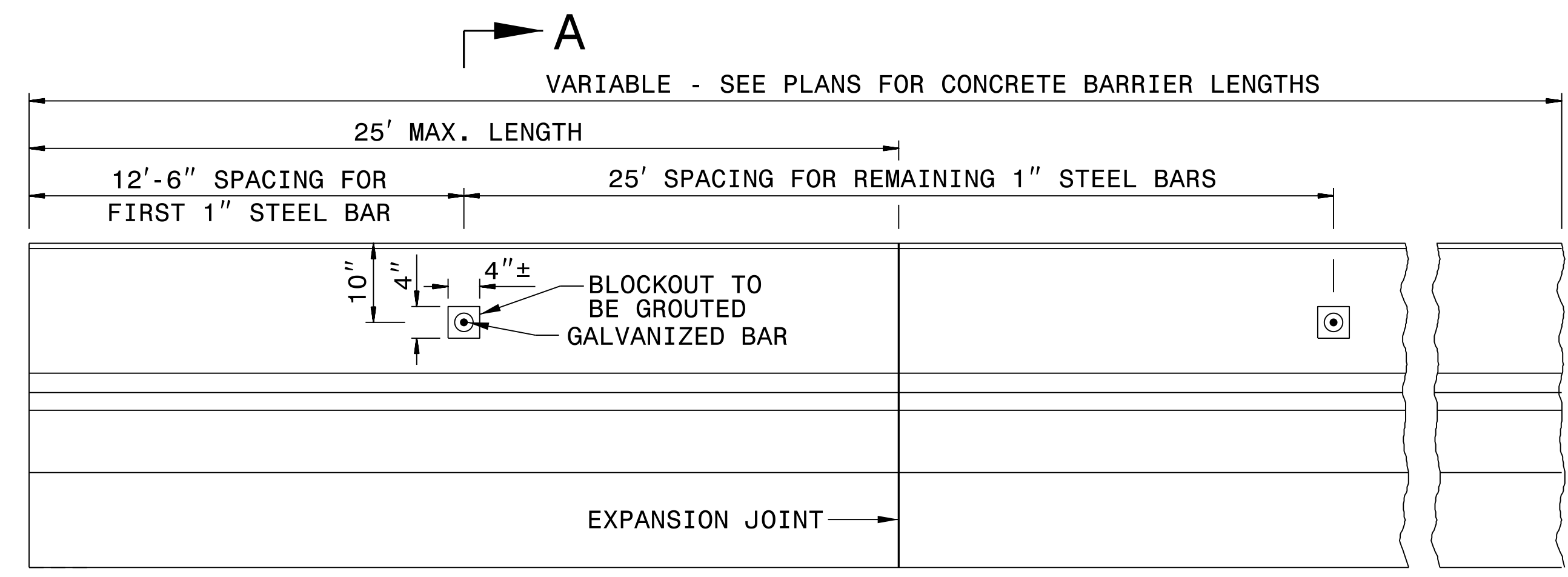
**INSET 'A'**



**SECTION A-A**



**SECTION B-B**



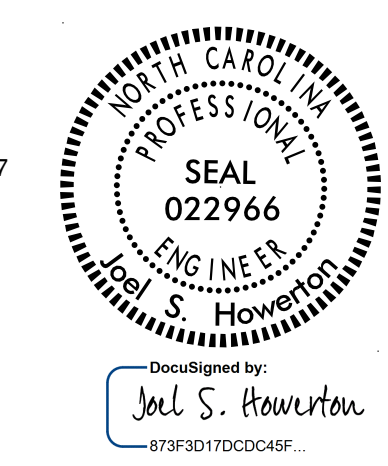
**ELEVATION**

**GENERAL NOTES:**

- \*THIS DIMENSION MAY VARY DEPENDING ON THE WIDTH OF THE PIER.
- INSET FIRST 1" DIA. GALVANIZED BAR 12'-6" AND SPACE THE REMAINING 1" BARS AT 25'-0".
- USE AN APPROVED BONDING SYSTEM IN ACCORDANCE WITH SECTION 1081-1, TYPE 3A OF THE STANDARD SPECIFICATIONS.
- USE CLASS B CONCRETE FOR THE CONCRETE COVER
- SEAL ALL EXPANSION JOINTS WITH JOINT FILLER (SEE SECTION 1028 OF THE SPECIFICATIONS).
- PLACE A 1" BAR BETWEEN EACH SET OF PIERS

TIME \$\$\$\$  
 DATE \$\$\$\$  
 CHECKED BY \$\$\$\$  
 DRAWN BY \$\$\$\$  
 PROJECT \$\$\$\$  
 SHEET \$\$\$\$  
 \$\$\$\$\$\$

4/7/2017



DOCUMENT NOT CONSIDERED FINAL UNLESS ALL SIGNATURES COMPLETED

<b>CONTRACT STANDARDS AND DEVELOPMENT UNIT</b>	
Office 919-707-6950 FAX 919-250-4119	
<b>DETAIL OF MEDIAN HAZARD PROTECTION</b>	
ORIGINAL BY: T.S.Spell	DATE: 2-4-10
MODIFIED BY:	DATE:
CHECKED BY:	DATE:
FILE SPEC.: ;howerton\Barrier Cover for Median Hazard Protection	