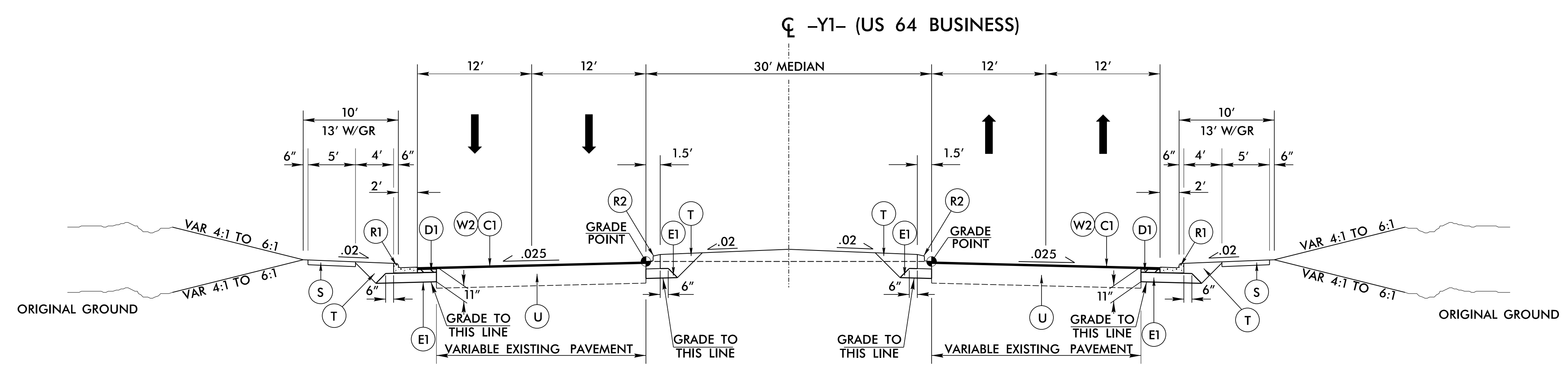


6/2/2017

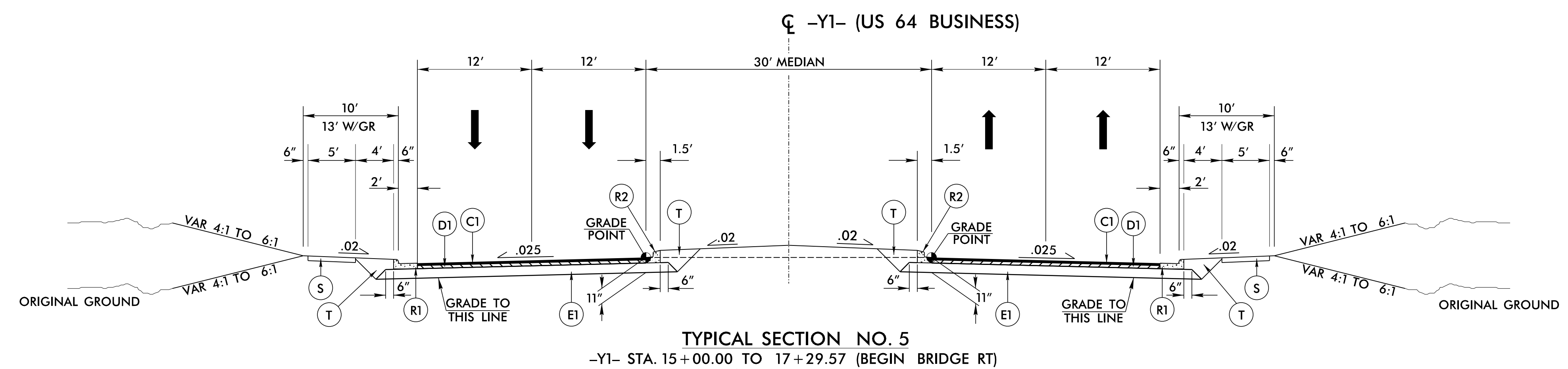
PAVEMENT SCHEDULE	
C1	3" S9.5B
C2	VAR. S9.5B
C3	1.5" S9.5B
D1	4" I19.0B
D2	3" I19.0B
D3	2.5" I19.0B
D4	VAR. I19.0B
E1	4" B25.0B
E2	5" B25.0B
E3	5.5" B25.0B
E4	VAR. B25.0B
J1	8" ABC
L1	CLASS IV SUBGRADE STABILIZATION
N1	GEOTEXTILE FOR SOIL STABILIZATION
P1	PRIME COAT
R1	2'-6" CURB & GUTTER
R2	1'-6" CURB & GUTTER
R3	5" MONO. ISLAND
R4	CONC. EXP. GUTTER
R5	SHOULDER BERM GUTTER
R6	4" CONCRETE ISLAND COVER
R7	SINGLE FACED CONCRETE BARRIER
S	4" CONCRETE SIDEWALK
T	EARTH MATERIAL
U	EXISTING PAVEMENT
V1	3" MILLING
V2	1.5" MILLING
W1	SEE WEDGING DETAIL 1
W2	SEE WEDGING DETAIL 2
W3	SEE WEDGING DETAIL 3

NOTE: PAVEMENT EDGE SLOPES ARE 1:1 UNLESS SHOWN OTHERWISE

PROJECT REFERENCE NO. U-3330	SHEET NO. 2A-3
ROADWAY DESIGN ENGINEER 	PAVEMENT DESIGN ENGINEER
DOCUMENT NOT CONSIDERED FINAL UNLESS ALL SIGNATURES COMPLETED	



TYPICAL SECTION NO. 4
 -Y1- STA. 11+75.00 TO 15+00.00
 -Y1- STA. 21+00.00 TO STA. 24+04.00
 SEE PLANS FOR AUXILIARY LANE LOCATIONS
 SEE PLANS FOR SIDEWALK LOCATIONS



TYPICAL SECTION NO. 5
 -Y1- STA. 15+00.00 TO 17+29.57 (BEGIN BRIDGE RT)
 -Y1- STA. 19+36.40 (END BRIDGE RT) TO STA. 21+00.00
 SEE PLANS FOR AUXILIARY LANE LOCATIONS

4/5/2017
 R:\Projects\2017\04\04\Roadway\Proj\U3330\RDY_TYP.dgn

ENGINEERS + CONSULTANTS
 Formerly Mulkey Engineers & Consultants
 7500 EAST INDEPENDENCE
 BOULEVARD, SUITE 100
 CHARLOTTE, NC 28227
 phone: 704.537.7300
 CALYXengineers.com
 NC License # F-1333