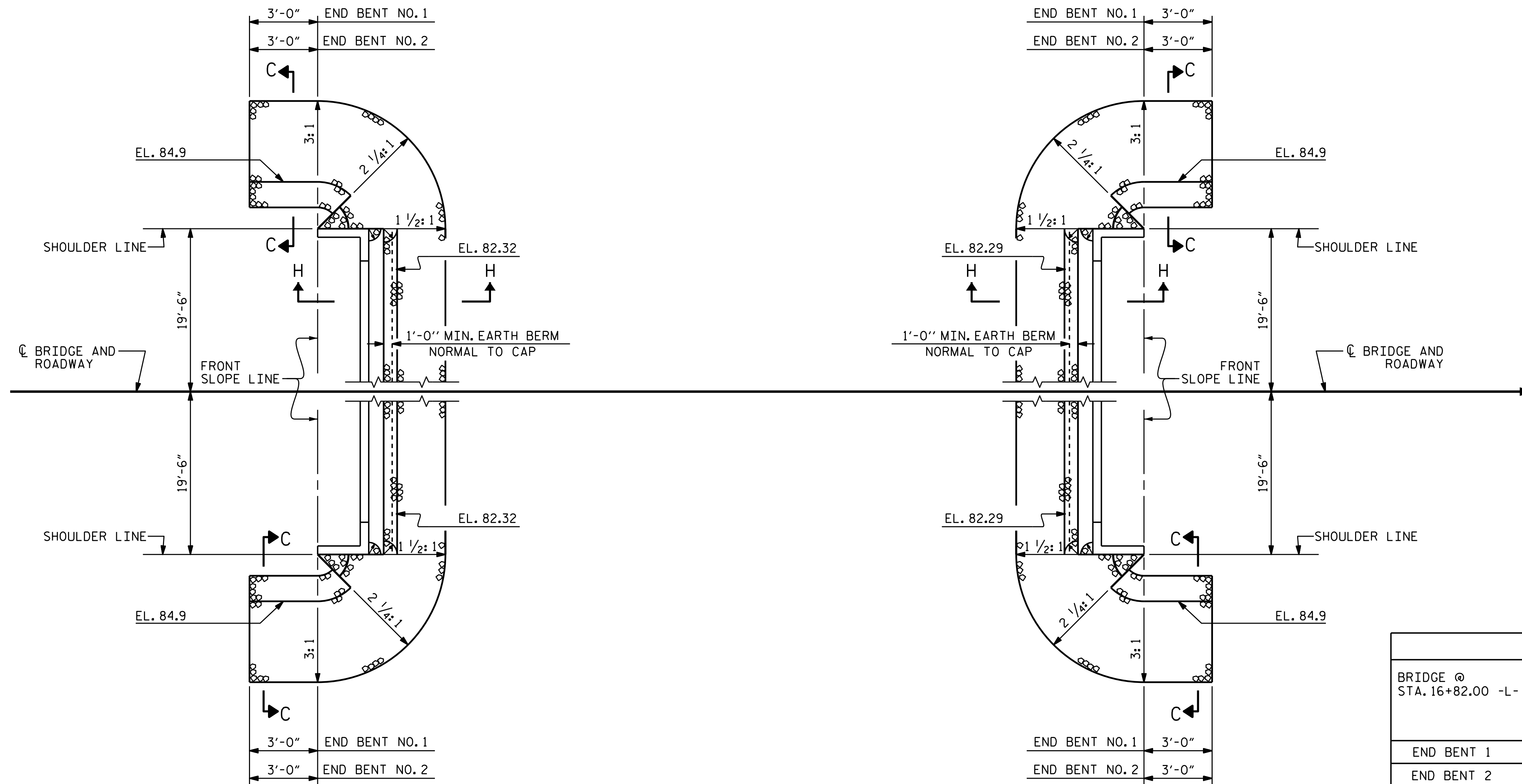
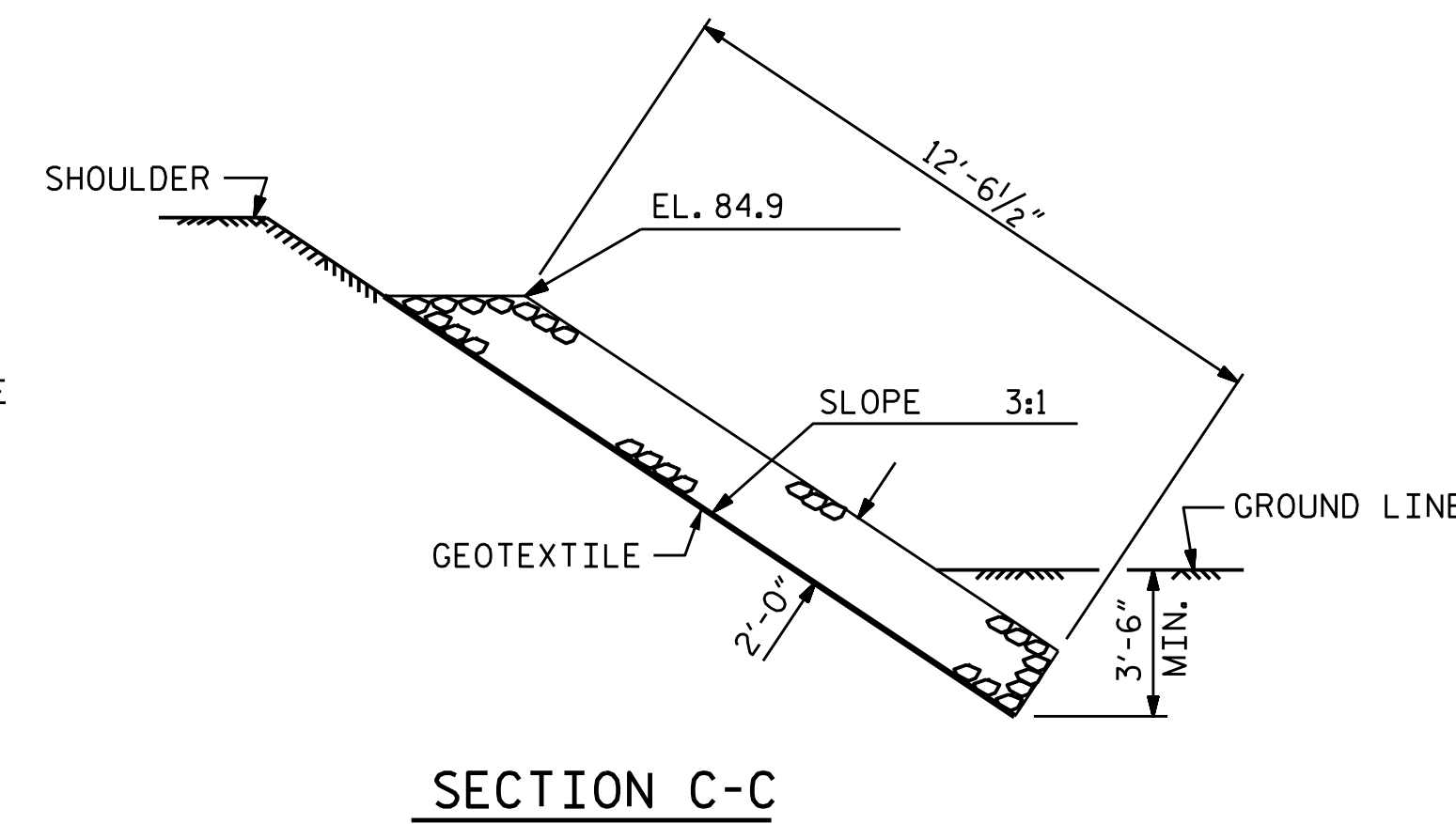
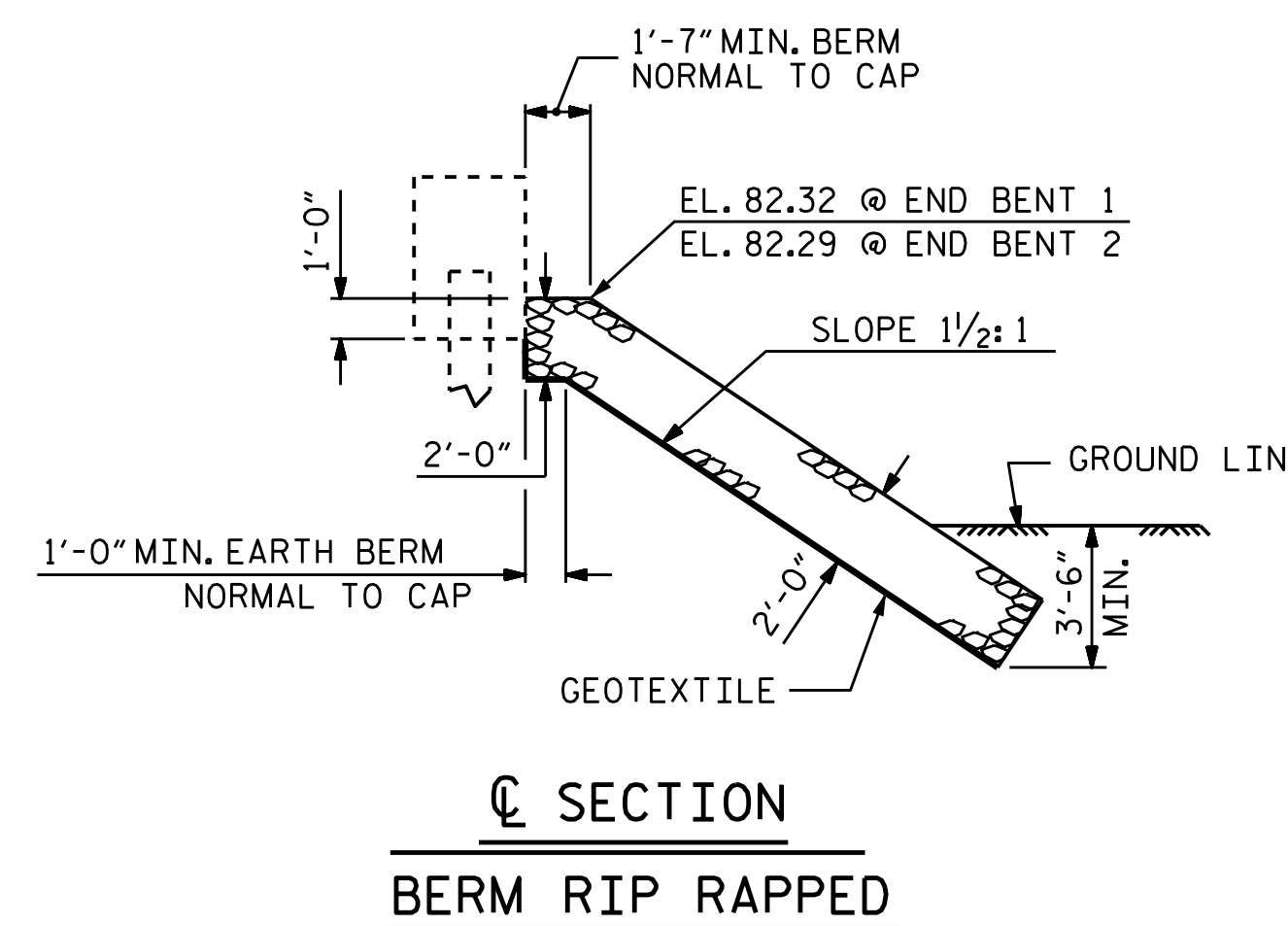
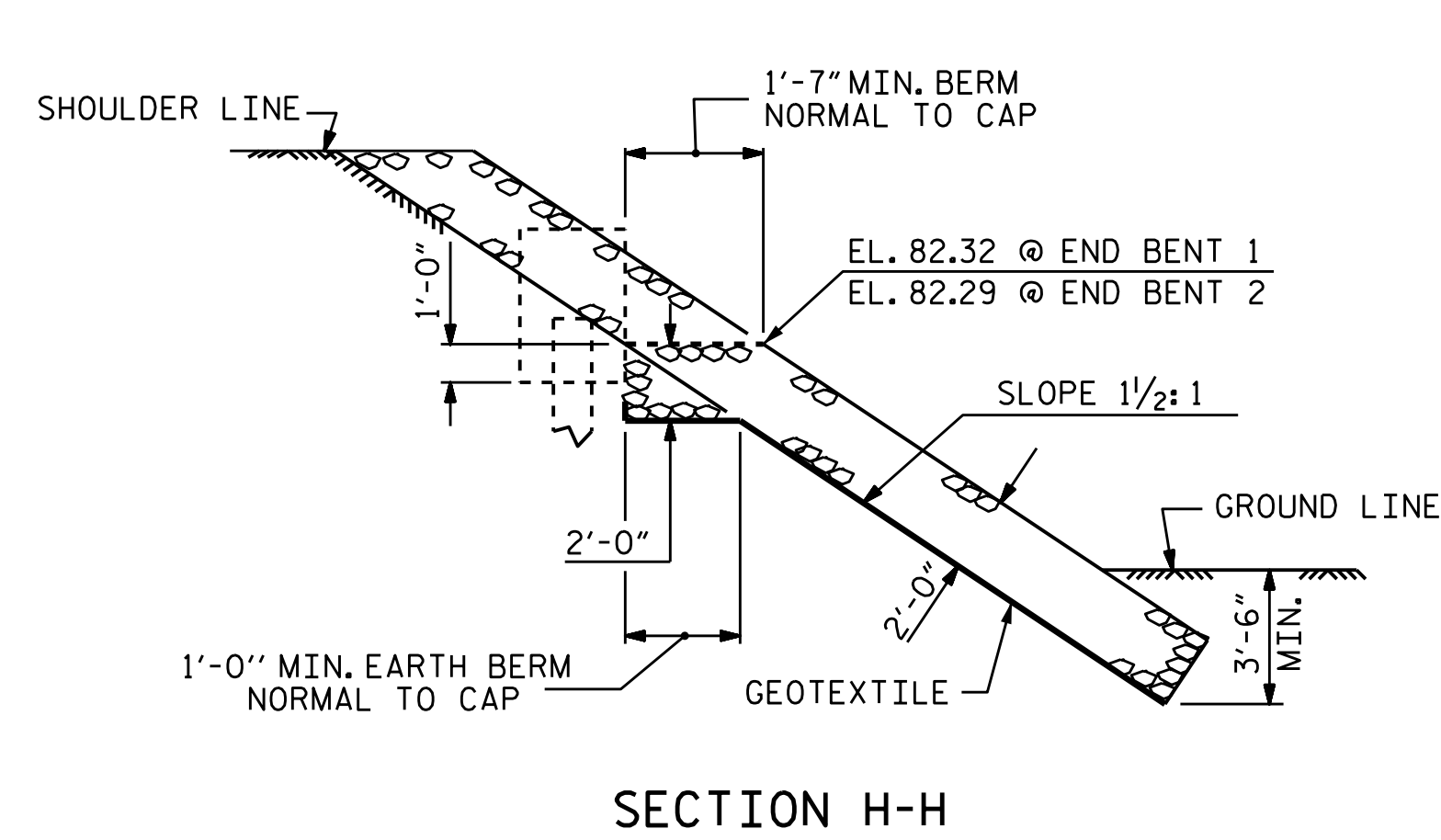


NOTES :  
FOR BERM WIDTH DIMENSIONS, SEE GENERAL DRAWING.

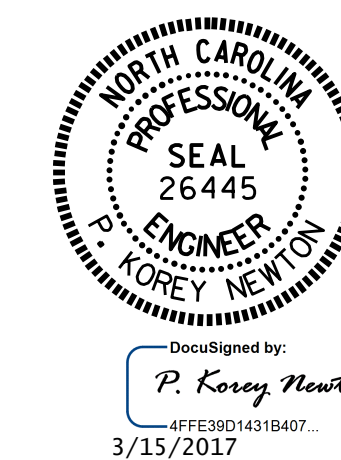


ESTIMATED QUANTITIES		
BRIDGE @ STA. 16+82.00 -L-	RIP RAP CLASS II (2'-0" THICK)	GEOTEXTILE FOR DRAINAGE
	TONS	SQUARE YARDS
END BENT 1	115	130
END BENT 2	115	130

SHOULDER RIP RAP IS HIGHER THAN BERM RIP RAP



PROJECT NO. B-4771  
JOHNSTON COUNTY  
STATION: 16+82.00 -L-



STATE OF NORTH CAROLINA  
DEPARTMENT OF TRANSPORTATION  
RALEIGH  
STANDARD  
= RIP RAP DETAILS =

ASSEMBLED BY : P. K. NEWTON DATE : 12/14/16  
CHECKED BY : G. W. DICKEY DATE : 12/15/16  
DRAWN BY : REK 1/84 REV. 5/1/06R TLA/GM  
CHECKED BY : ROU 1/84 REV. 10/1/11 MAA/GM  
REV. 12/21/11 MAA/GM

DOCUMENT NOT CONSIDERED  
FINAL UNLESS ALL  
SIGNATURES COMPLETED

REVISIONS						SHEET NO.
NO.	BY:	DATE:	NO.	BY:	DATE:	S-19
1			3			TOTAL SHEETS 20
2			4			