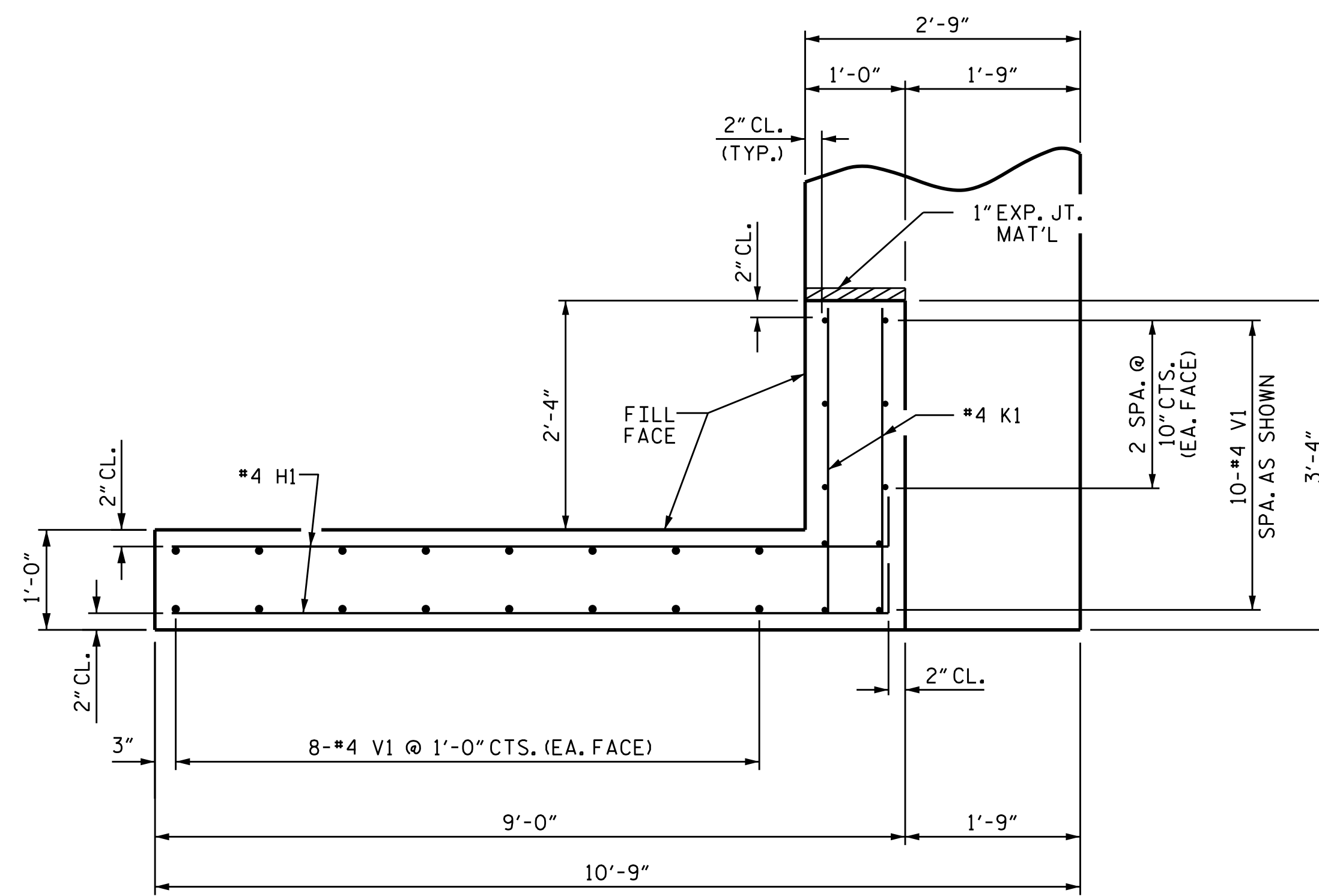
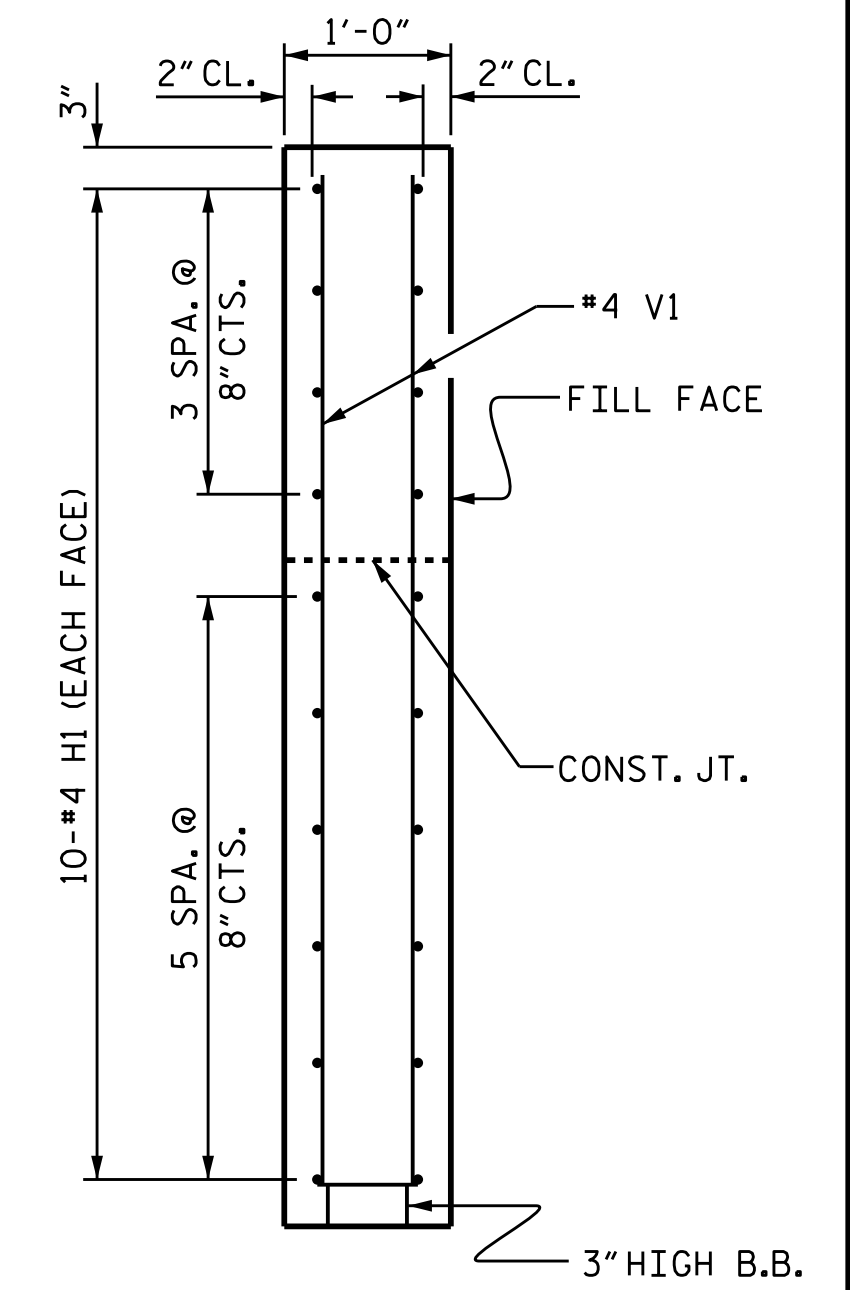


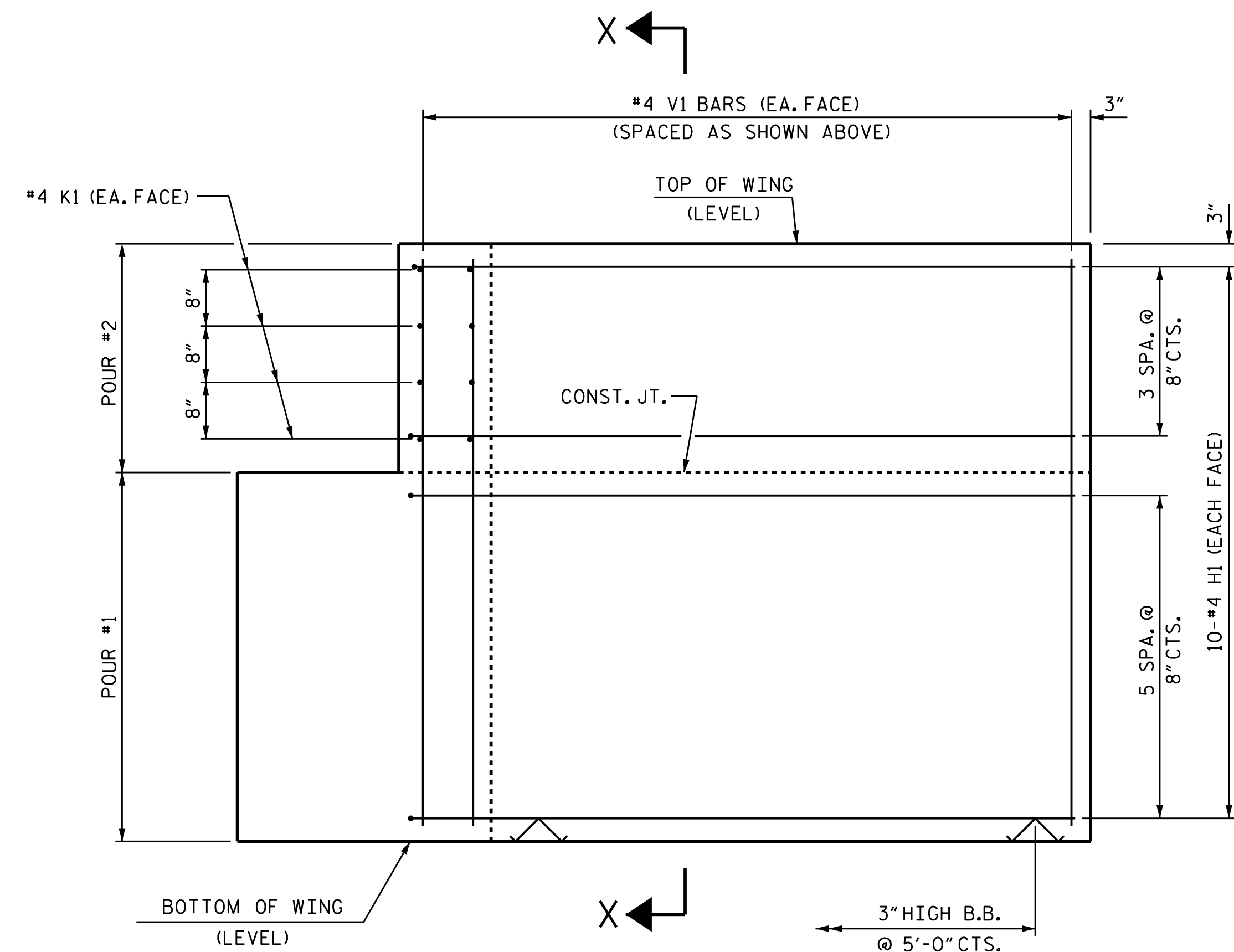
PLAN OF WING (W1)



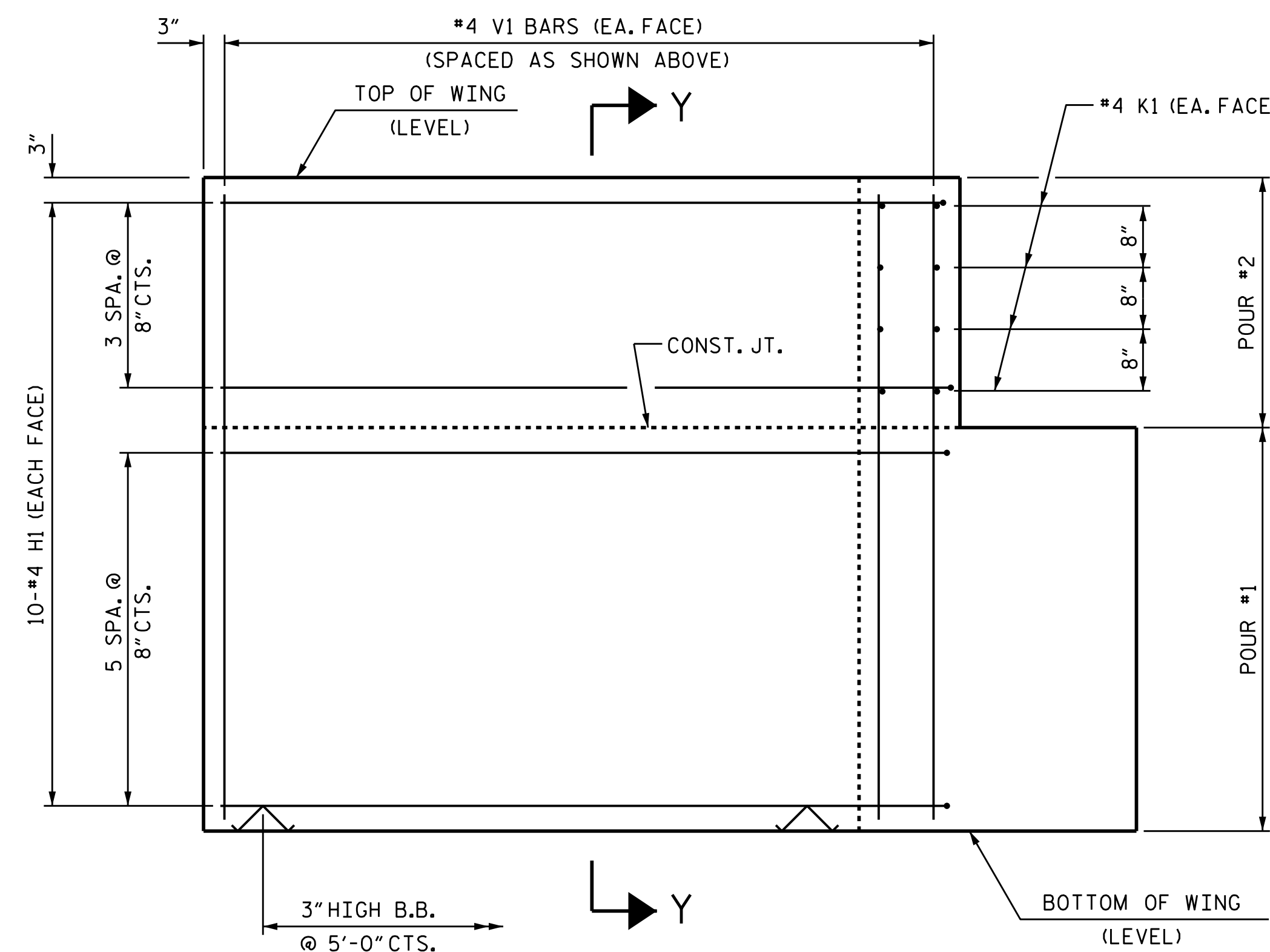
PLAN OF WING (W2)



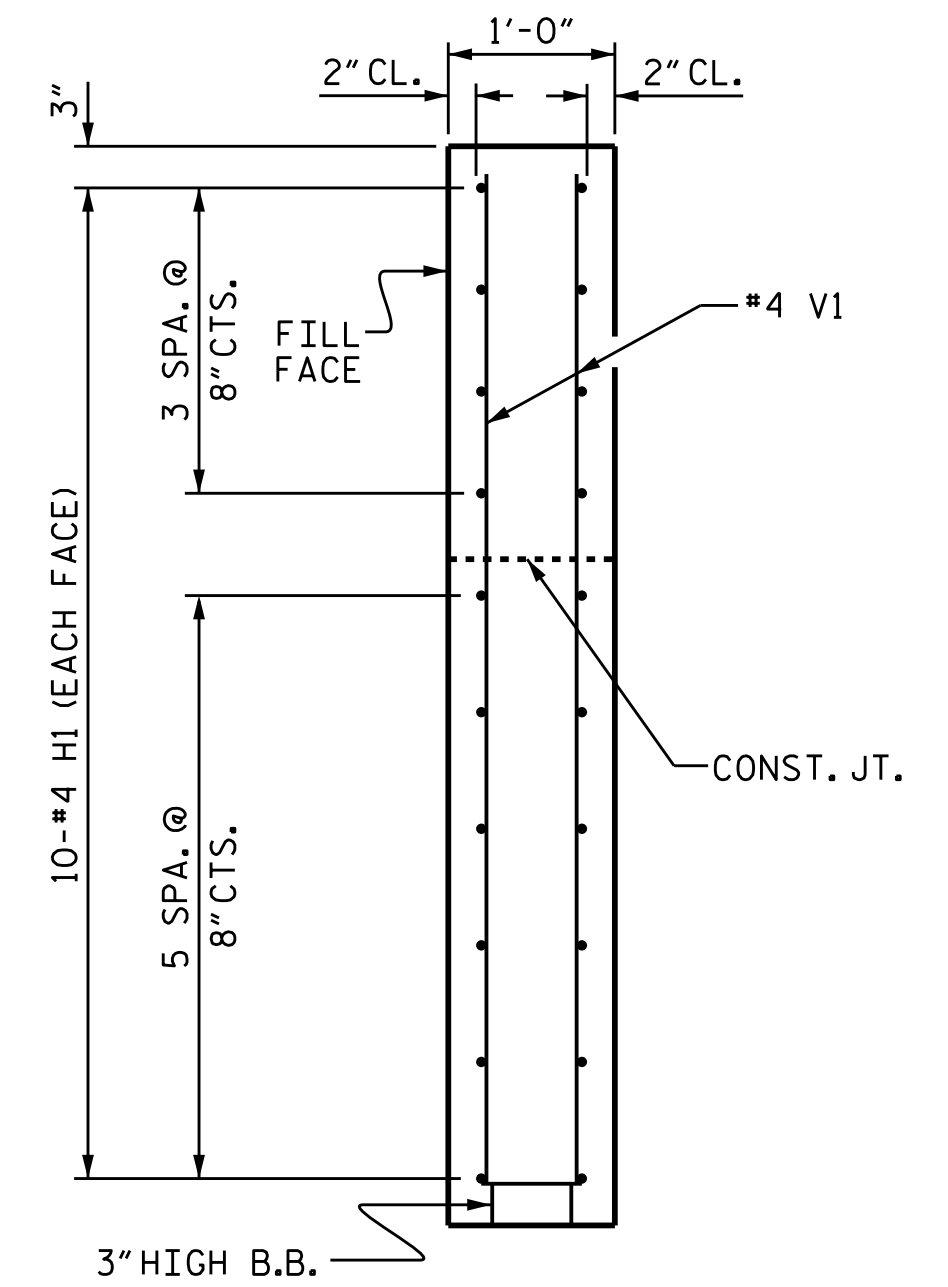
SECTION X-X



ELEVATION OF WING (W1)



ELEVATION OF WING (W2)



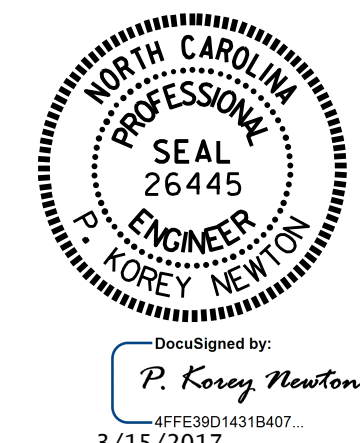
SECTION Y-Y

PROJECT NO. B-4771
JOHNSTON COUNTY
 STATION: 16+82.00 -L-

SHEET 3 OF 4

STATE OF NORTH CAROLINA
 DEPARTMENT OF TRANSPORTATION
 RALEIGH

SUBSTRUCTURE
 END BENT
 WING DETAILS



ASSEMBLED BY : P. K. NEWTON	DATE : 11/28/16
CHECKED BY : H. A. LOCKLEAR	DATE : 12/12/12
DRAWN BY : WJH 12/11	REV. 4/15
CHECKED BY : AAC 12/11	MAA/TMG

DOCUMENT NOT CONSIDERED FINAL UNLESS ALL SIGNATURES COMPLETED

REVISIONS						SHEET NO.	
NO.	BY:	DATE:	NO.	BY:	DATE:	S-14	
1			3			TOTAL SHEETS 20	
2			4				

WING DETAILS

08-MAR-2017 16:49
 G:\Structures\Plans\Final Plans\B-4771.SMU.FinalPlans.dgn
 pknewton