

CONFIDENTIAL AND PROPRIETARY PROPERTY OF
Elliott Bay Design Group North Carolina, PLLC
 MAY NOT BE USED FOR CONSTRUCTION OR PROVIDED TO
 ANY THIRD PARTIES WITHOUT PRIOR WRITTEN CONSENT.
 © 2017 ELLIOTT BAY DESIGN GROUP.

REVISION HISTORY

REV	ZONE	DESCRIPTION	DWN	DATE	APVD

GENERAL NOTES

- ALL MATERIALS AND WORKMANSHIP SHALL BE IN ACCORDANCE WITH 46 CFR SUBCHAPTER T REGULATIONS.
- LIGHT FIXTURES LABELED WITH AN 'E' SHALL BE EQUIPPING WITH BACKUP BATTERIES CAPABLE OF POWERING THE FIXTURE FOR AT LEAST 90 MINUTES.
- LIGHT FIXTURES IN THE INTERIOR SPACES SHALL BE INSTALLED IN THE OVERHEAD SPACE.

LIGHTING SYMBOLS LIST

SYMBOL	QTY	DESCRIPTION	REMARKS
	14	2FT LIGHT FIXTURE	--
	31	OVERHEAD RECESSED DOWN LIGHT	--
	2	OVERHEAD RECESSED DOWN LIGHT	W/ RED LENS
	4	OVERHEAD RECESSED DOWN LIGHT	W/ EMERGENCY BALLAST
	13	DECK LIGHT, OVERHEAD MOUNT	--
	6	DECK LIGHT, OVERHEAD MOUNT	W/ AMBER LENS
	2	DECK LIGHT, OVERHEAD MOUNT	W/ EMERGENCY BALLAST
	1	SEARCH LIGHT	--
	6	FLOODLIGHT	--
	2	LIFERAFT LAUNCHING FLOODLIGHT	--
	4	EXIT SIGN	PHOTOLUMINESCENT

LININGS SCHEDULE

DESCRIPTION	LOCATION	STYLE NAME/ STYLE NUMBER	COLOR/FINISH	COMMENTS
CEILINGS				
CEILING TILE SYSTEM	PASSENGER CABIN	CLIP-IN TILES WITH SHARP EDGES	WHITE	600mm x 600mm PERFORATED ALUMINUM TILES, CONTINUOUS STYLE PERFORATION, PAINTED SURFACE. DROP-IN THERMAL INSULATION WITH PERFORATED SCRIM FACING.
CEILING TILE SYSTEM	PILOTHOUSE	CLIP-IN TILES WITH SHARP EDGES	BLACK	600mm x 600mm PERFORATED ALUMINUM TILES, CONTINUOUS STYLE PERFORATION, PAINTED SURFACE. DROP-IN THERMAL INSULATION WITH PERFORATED SCRIM FACING.

REFERENCES

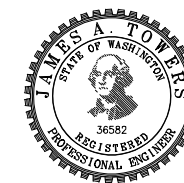
- 16109-003-802-0 CONTRACT SPECIFICATIONS
- 16109-003-101-1 PROFILES AND ARRANGEMENTS
- 16109-003-065-0 HVAC BLOCK DIAGRAM
- 16109-003-130-0 SUPERSTRUCTURE
- 16109-003-635-0 INSULATION AND LININGS PLAN



Elliott Bay Design Group
North Carolina, PLLC

CLIENT: NORTH CAROLINA D.O.T.
 RALEIGH, NORTH CAROLINA

PROJECT: PEDESTRIAN FERRY

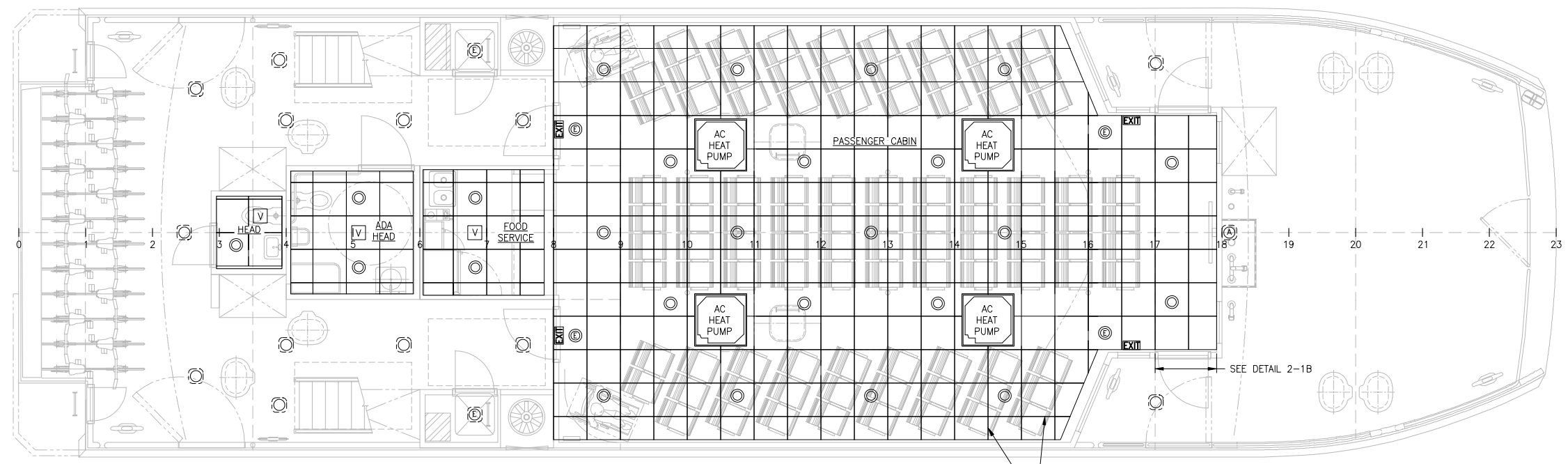


CEILING AND LIGHTING PLAN

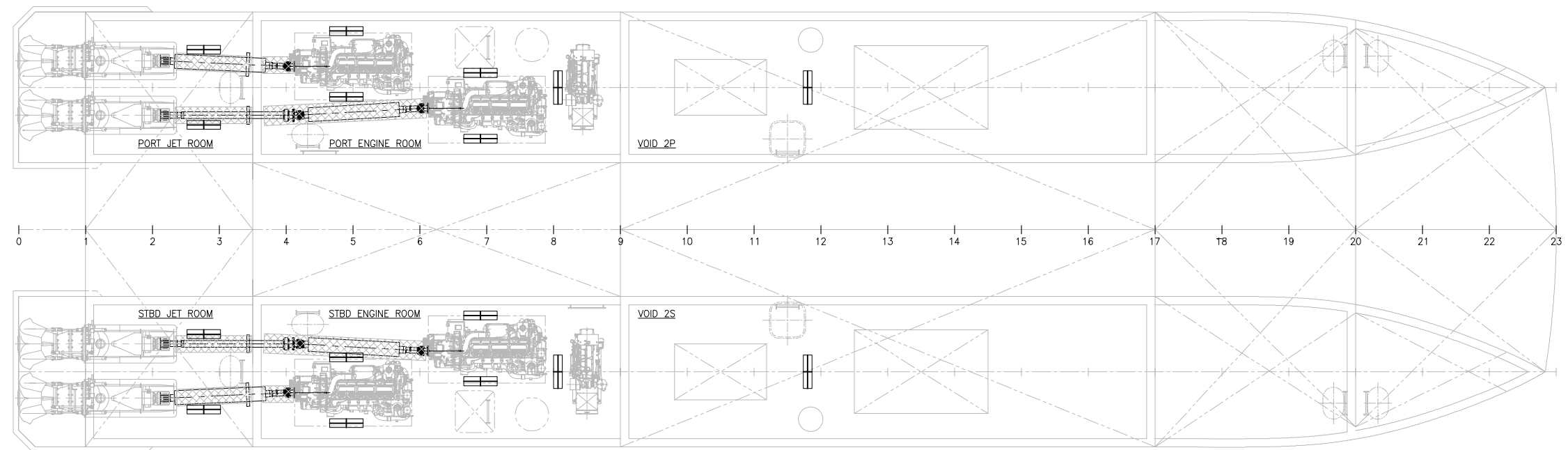
SIZE	D	DWG NO.	16109-003-635-1	REV	-
SCALE	AS NOTED	FILE NAME	16109-003-635-1-	SHEET	1 OF 3
DWN	DKG	MOD	CKD NJB	APVD	JAT
				APVD DATE	3/3/2017

3/2/2017 4:19:02 PM

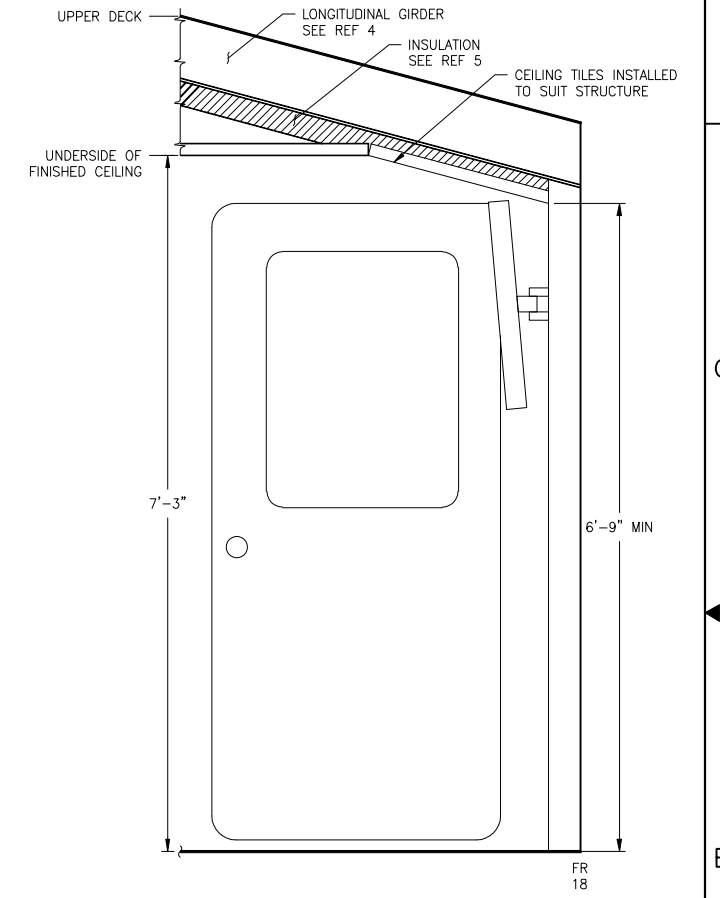
CONFIDENTIAL AND PROPRIETARY PROPERTY OF
Elliott Bay Design Group North Carolina, PLLC
 MAY NOT BE USED FOR CONSTRUCTION OR PROVIDED TO
 ANY THIRD PARTIES WITHOUT PRIOR WRITTEN CONSENT.
 © 2017 ELLIOTT BAY DESIGN GROUP.



MAIN DECK
 SCALE: 1/4"=1'-0"



HOLD
 SCALE: 1/4"=1'-0"



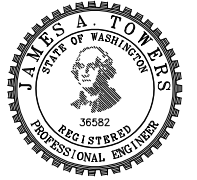
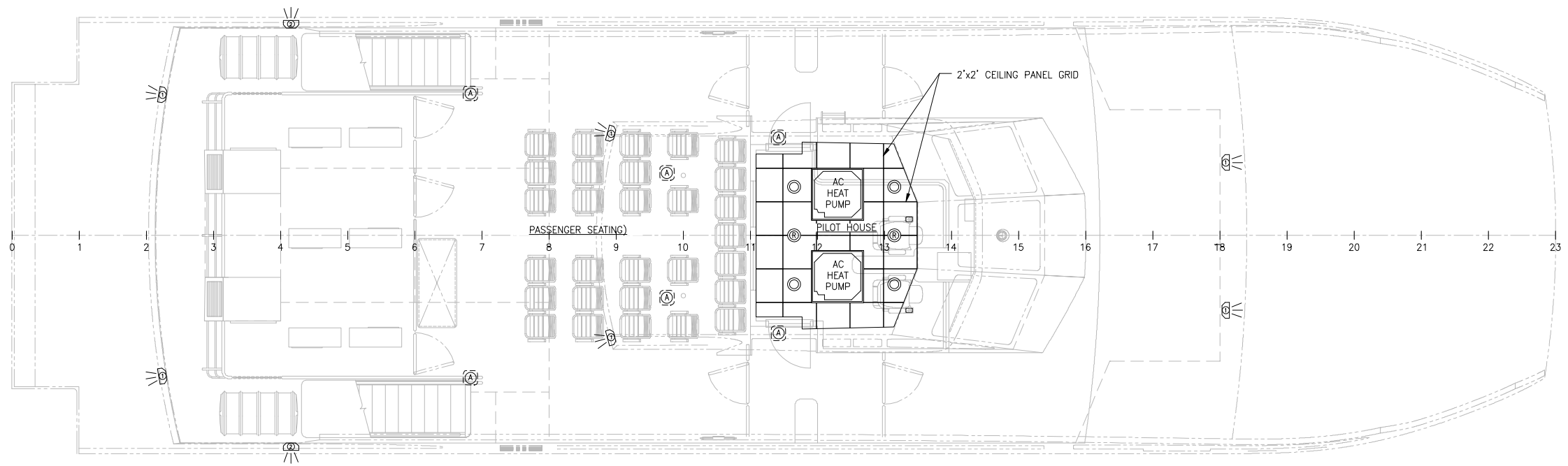
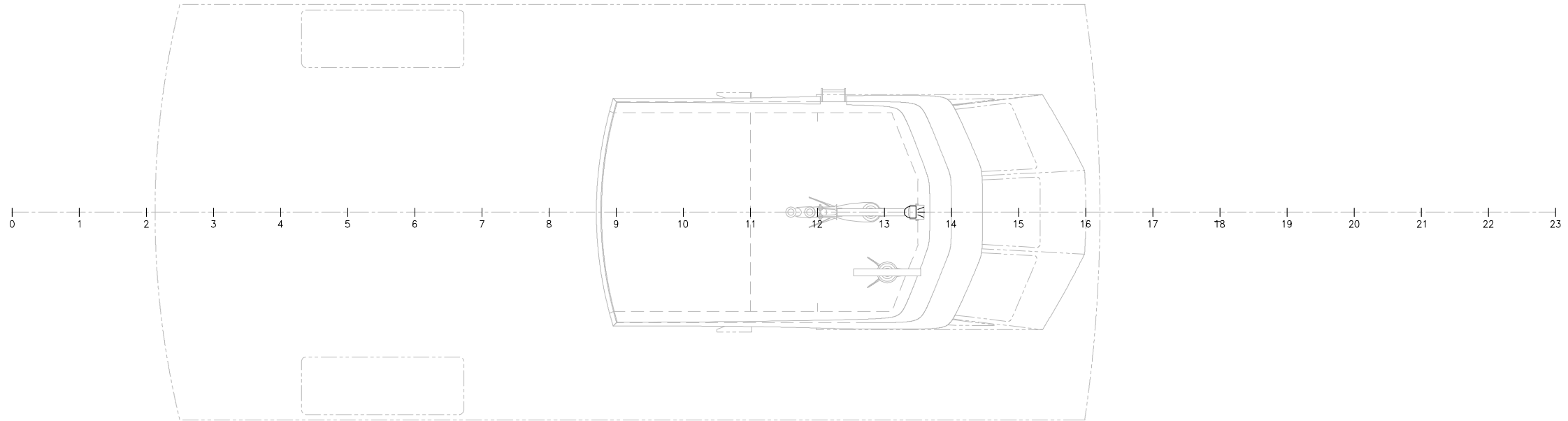
DETAIL 2-1B
 CEILING TILE TRANSITION
 MAIN DECK LOOKING OUTBOARD
 SCALE: 1"=1'-0"



SIZE	D	DWG NO.	16109-003-635-1	REV	-
SCALE	AS NOTED	FILE NAME	16109-003-635-1-	SHEET	2 OF 3

3/2/2017 4:19:10 PM

CONFIDENTIAL AND PROPRIETARY PROPERTY OF
Elliott Bay Design Group North Carolina, PLLC
MAY NOT BE USED FOR CONSTRUCTION OR PROVIDED TO
ANY THIRD PARTIES WITHOUT PRIOR WRITTEN CONSENT.
© 2017 ELLIOTT BAY DESIGN GROUP.



SIZE	D	DWG NO.	16109-003-635-1	REV	-
SCALE	1/4"=1'-0"	FILE NAME	16109-003-635-1-	SHEET	3 OF 3

3/2/2017 4:19:24 PM