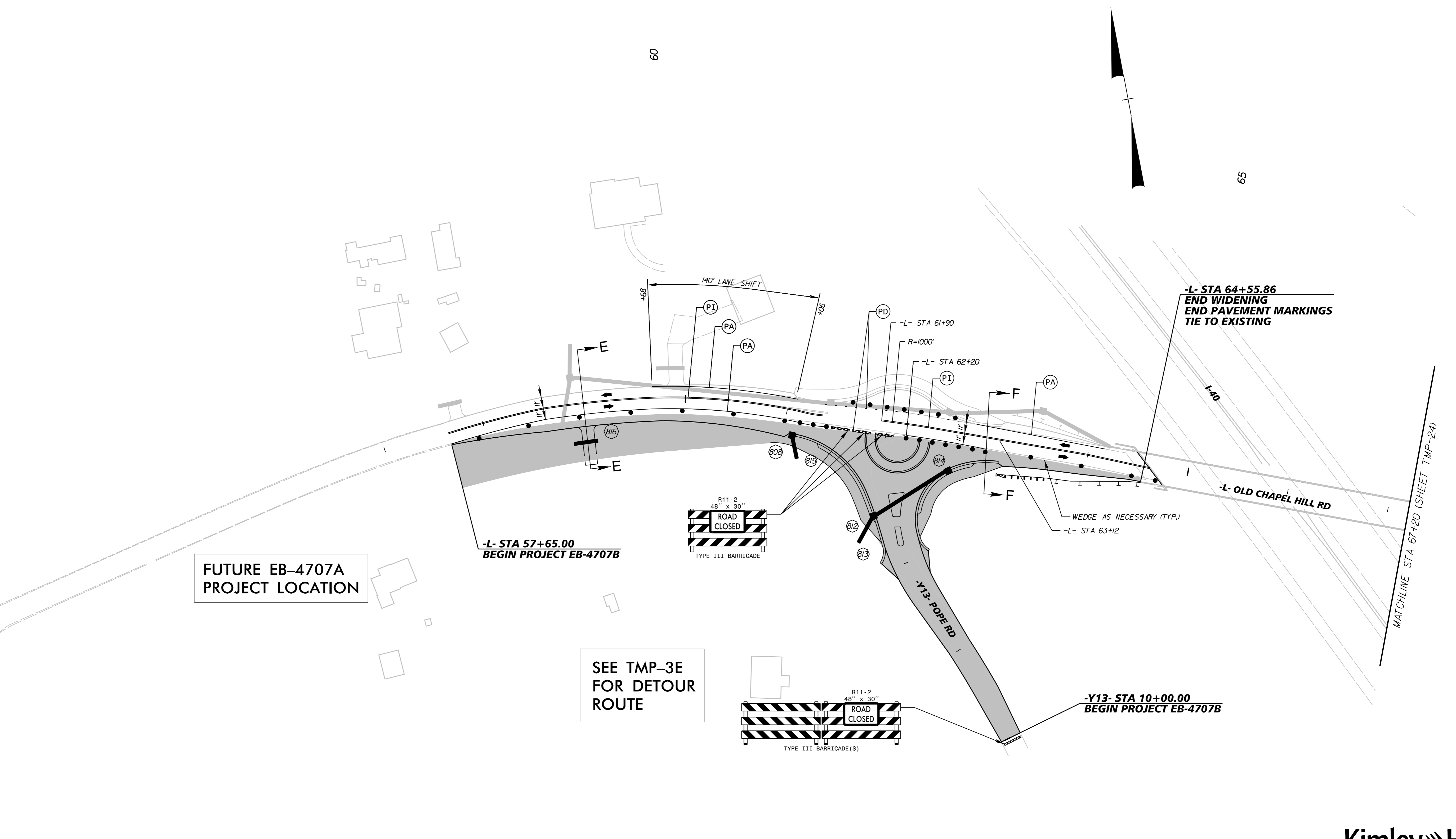
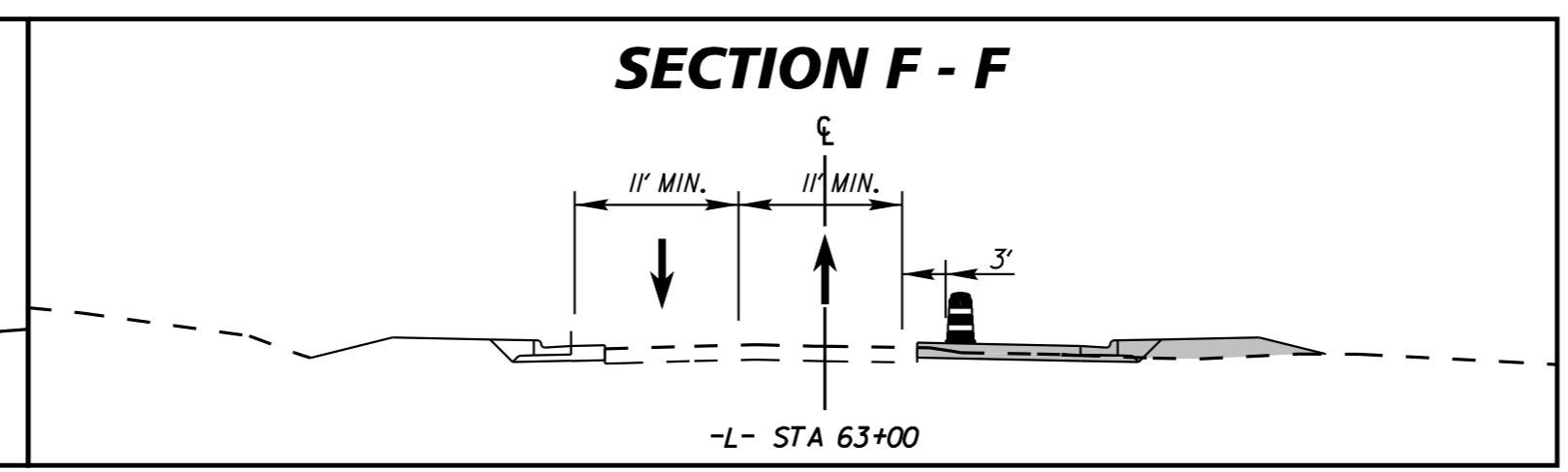
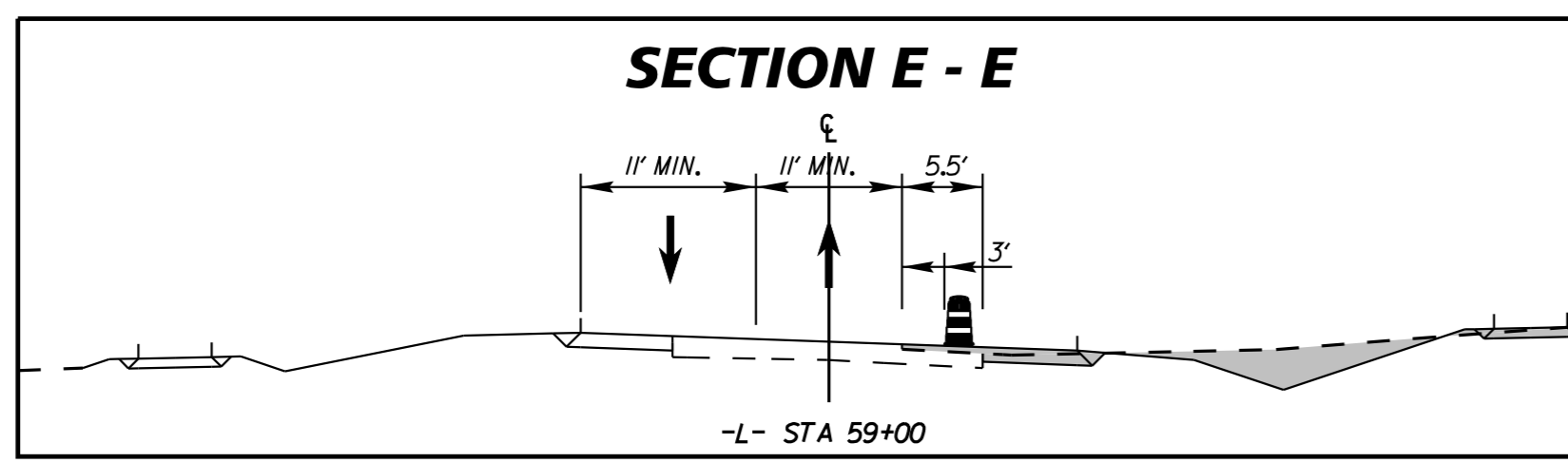


K:\RAL\_Roadway\01036290 - EB-4707 - Part B\Plan\WZTC\Plans\Phase II Streets (Ph III)\EB-4707\_rdy-WZTC\_PSH23.dgn  
1/25/2017



FUTURE EB-4707A PROJECT LOCATION

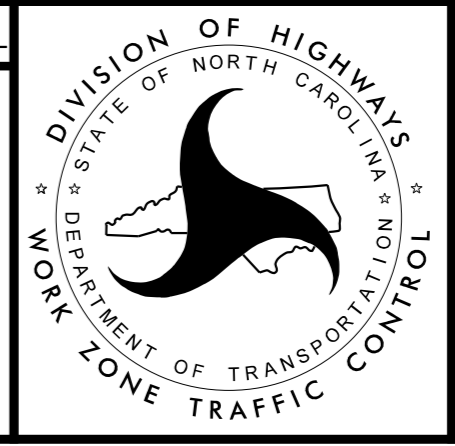
SEE TMP-3E FOR DETOUR ROUTE



DOCUMENT NOT CONSIDERED FINAL  
UNLESS ALL SIGNATURES COMPLETED

APPROVED: \_\_\_\_\_ DATE: \_\_\_\_\_

SEAL  
 NORTH CAROLINA PROFESSIONAL SEAL  
 029876  
 MATTHEW S. WEST  
 ENGINEER  
 DocuSigned by: Matt West  
 ACT1A1D0798B425



**Kimley»Horn**

TRAFFIC CONTROL  
PHASE 3