

**-L- STA 80+00
BEGIN PAVEMENT MARKINGS
TIE TO EXISTING**

-L- STA 80+00

**-L- STA 83+43
END WIDENING**

**-L- STA 83+71
BEGIN WIDENING**

**-L- STA 86+55
END PAVEMENT MARKINGS
TIE TO EXISTING**

**-L- STA 87+60
END WIDENING**

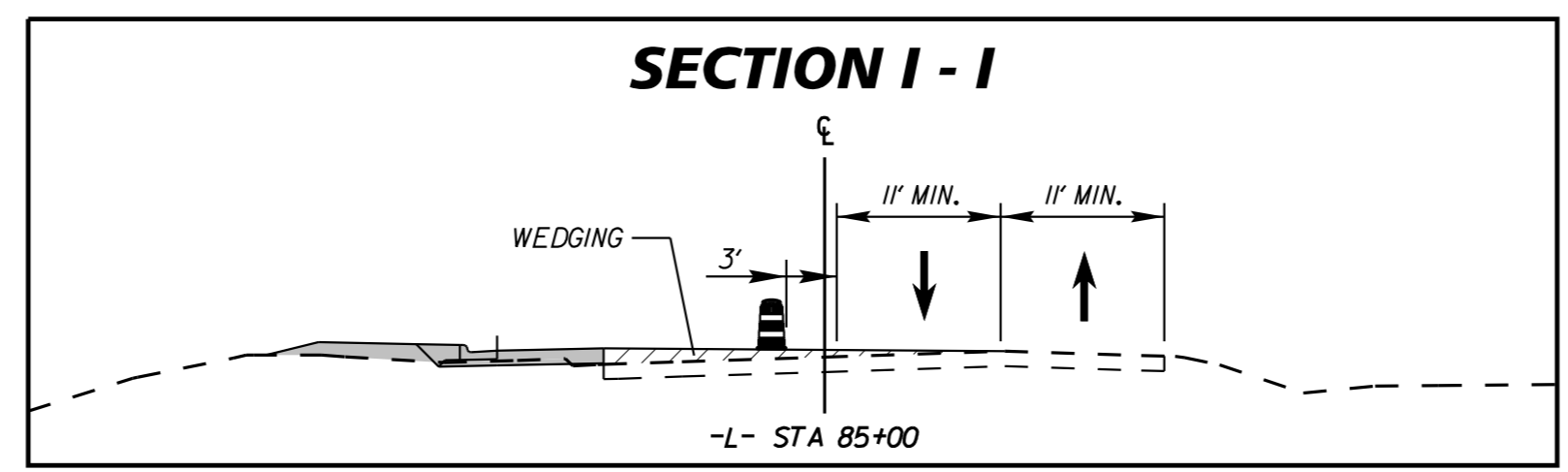
**-L- STA 87+96
BEGIN WIDENING**

-L- OLD CHAPEL HILL RD

-Y17- FIVE OAKS DR

MATCHLINE STA 80+00 (SHEET TMP-11)

MATCHLINE STA 93+20 (SHEET TMP-13)



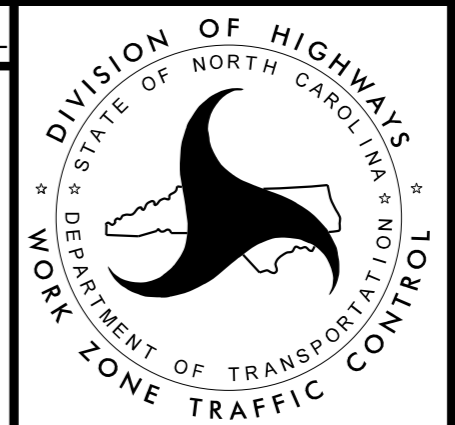
DOCUMENT NOT CONSIDERED FINAL
UNLESS ALL SIGNATURES COMPLETED

APPROVED: _____ DATE: _____

SEAL

DocuSigned by:
Matthew S. West

1/26/2017



Kimley»Horn

TRAFFIC CONTROL
PHASE 2

K:\RAL_Roadway\01036290 - EB-4707 - Part 1\Plan\WZTC\Plans\Phase 1\Sheets (Ph 1)\EB-4707_rdv_WZTC_PSH12.dgn 1/25/2017