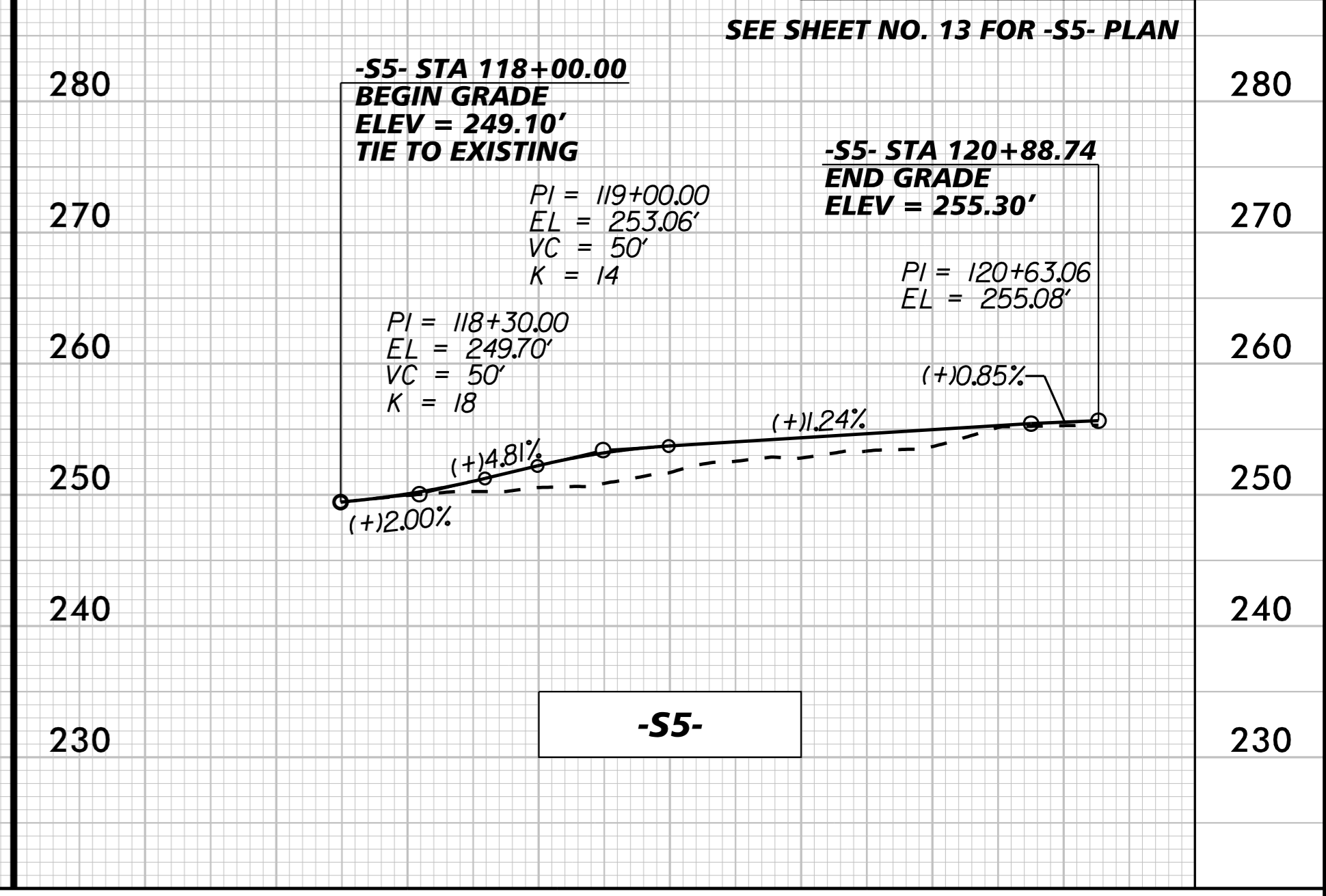


# Kimley»Horn

P.O. BOX 33068  
RALEIGH, N.C. 27636-3068

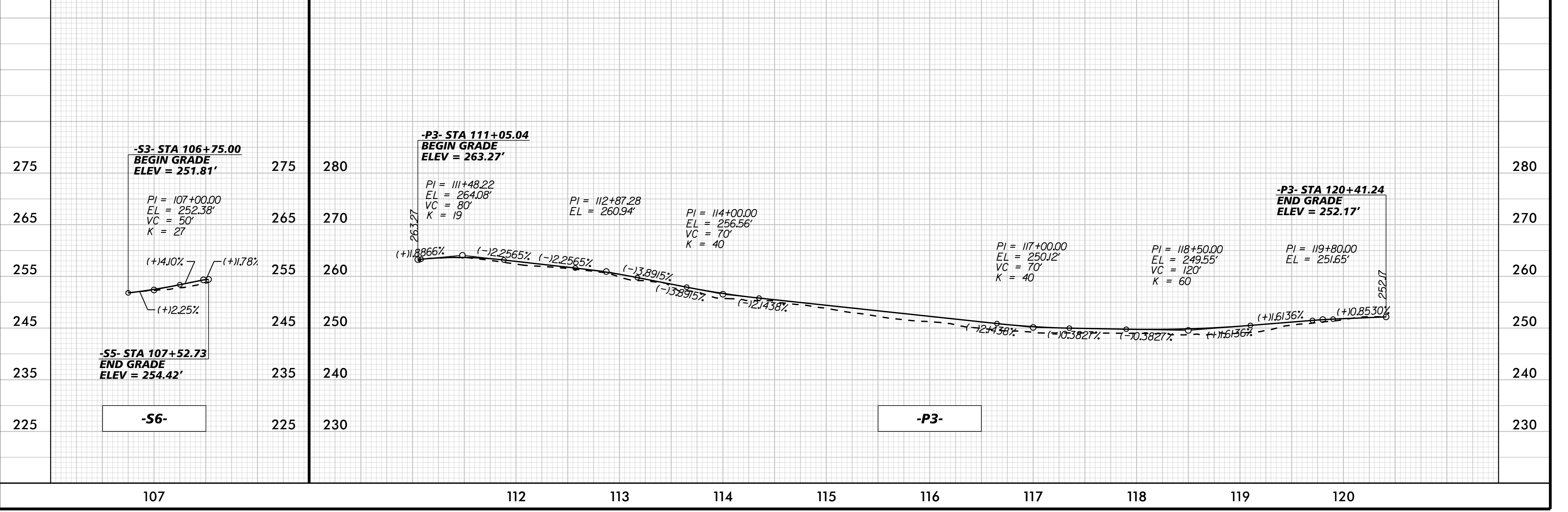
PROJECT REFERENCE NO. <i>EB-4707B</i>	SHEET NO. <i>27</i>
ROADWAY DESIGN ENGINEER <i>Matt West</i>	HYDRAULICS ENGINEER <i>Larry D. Robinson</i>

**DOCUMENT NOT CONSIDERED FINAL UNLESS ALL SIGNATURES COMPLETED**



**SEE SHEET NO. 12 FOR -S6- PLAN**

**SEE SHEET NO. 12 AND 13 FOR -P3- PLAN**



K:\RAL\_Roadway\01036290 - EB-4707 Part B\Plan\Plan Sheets\EB-4707\_rdy\_PFL\_PSH.dgn 1/30/2017