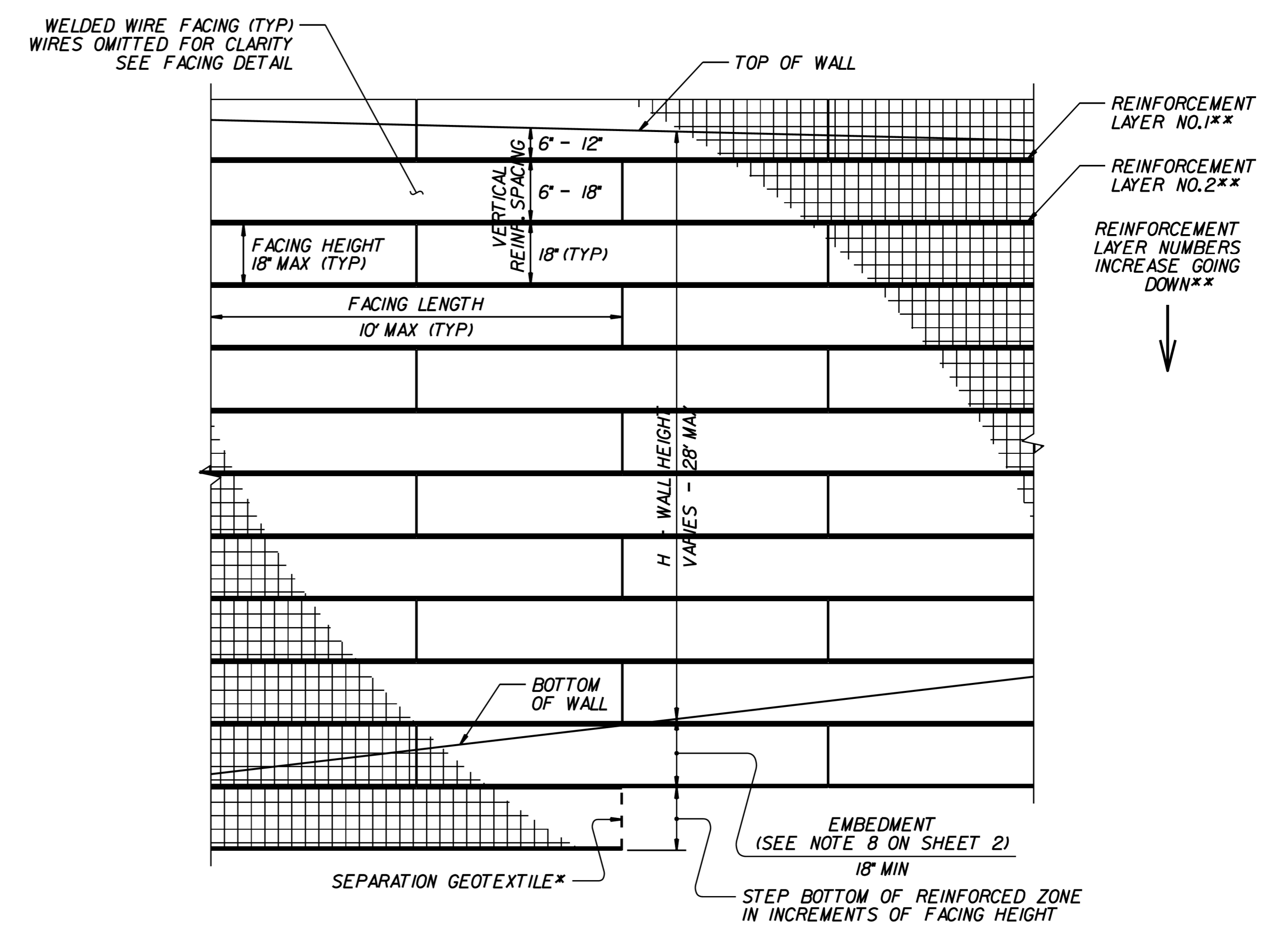
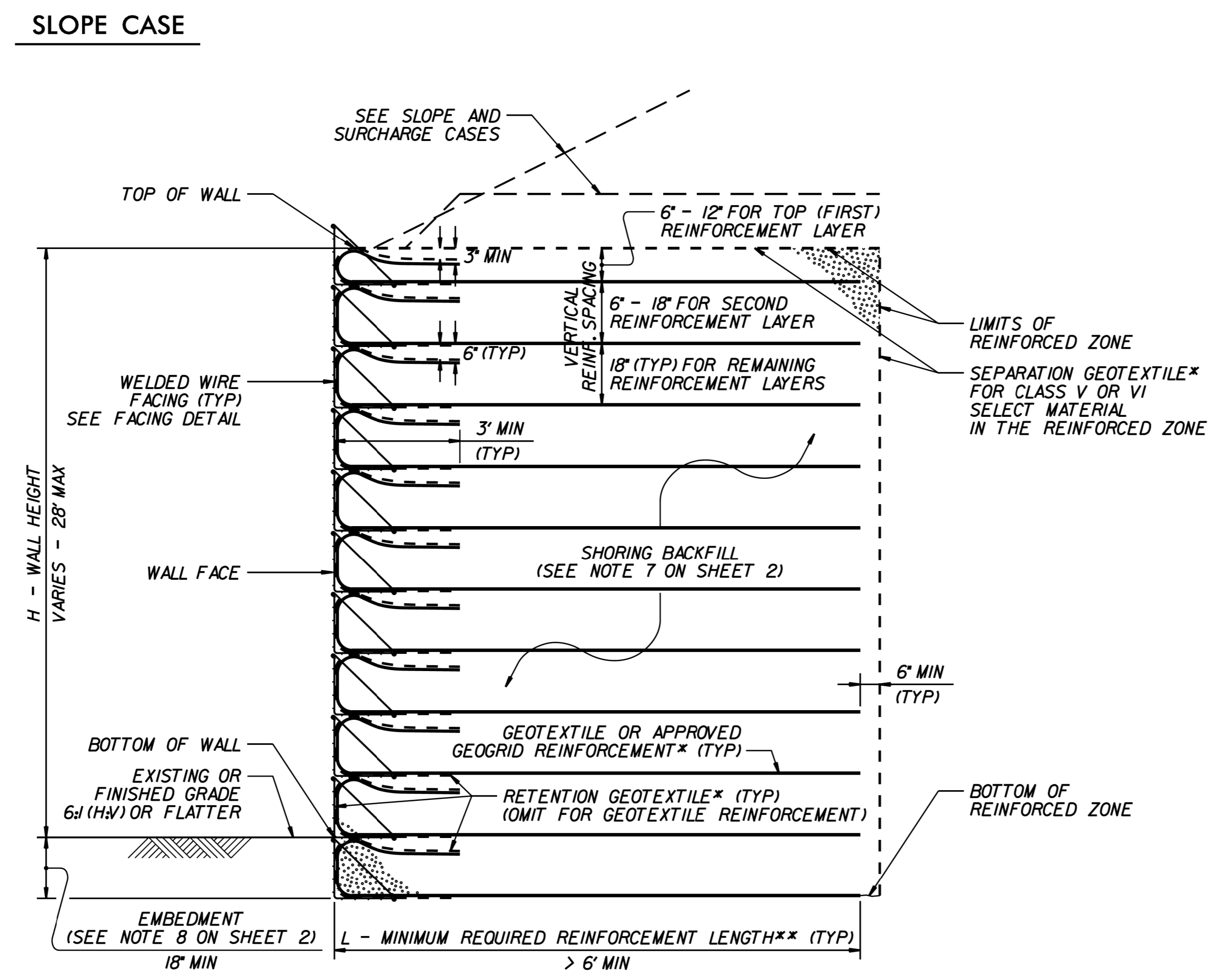
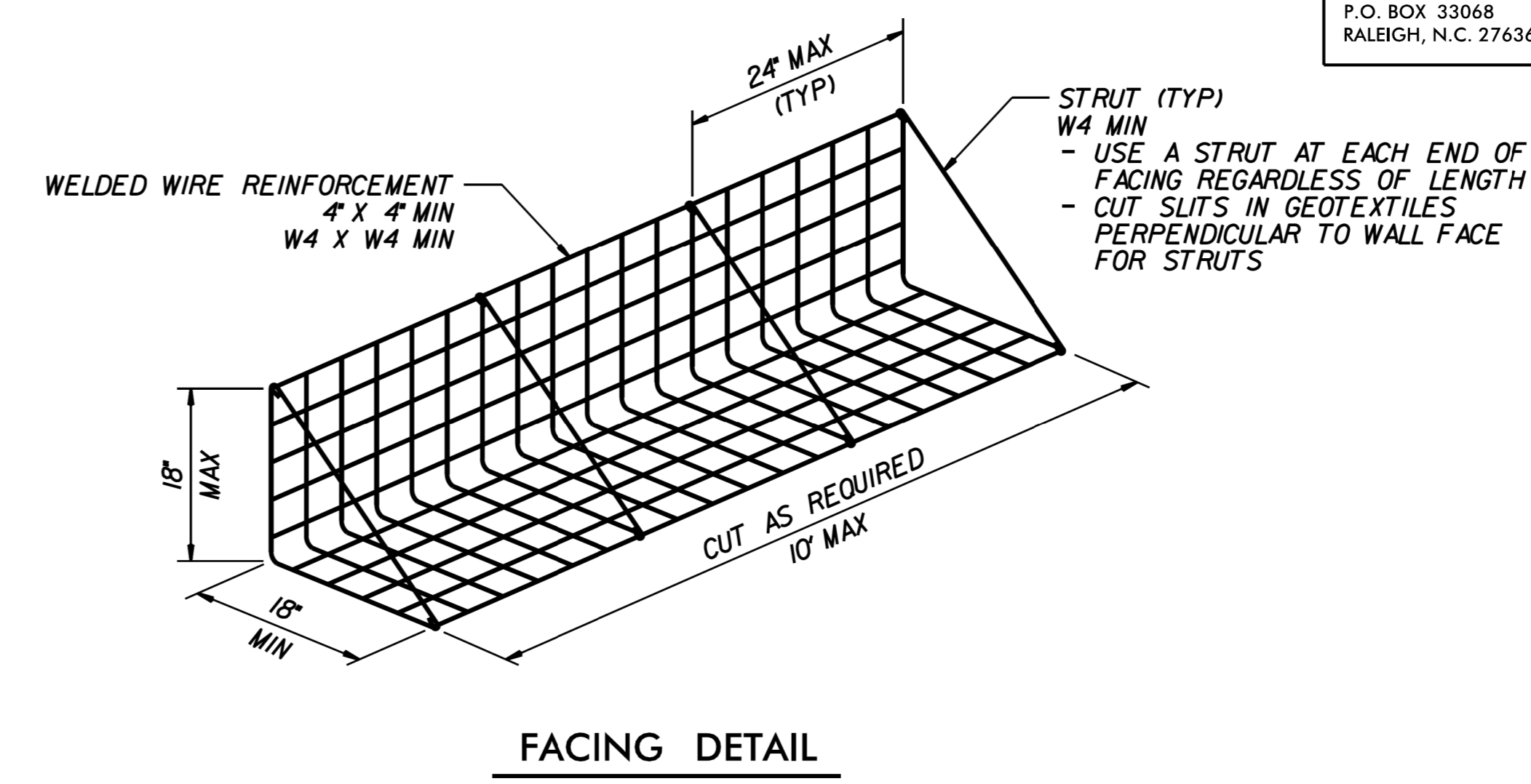
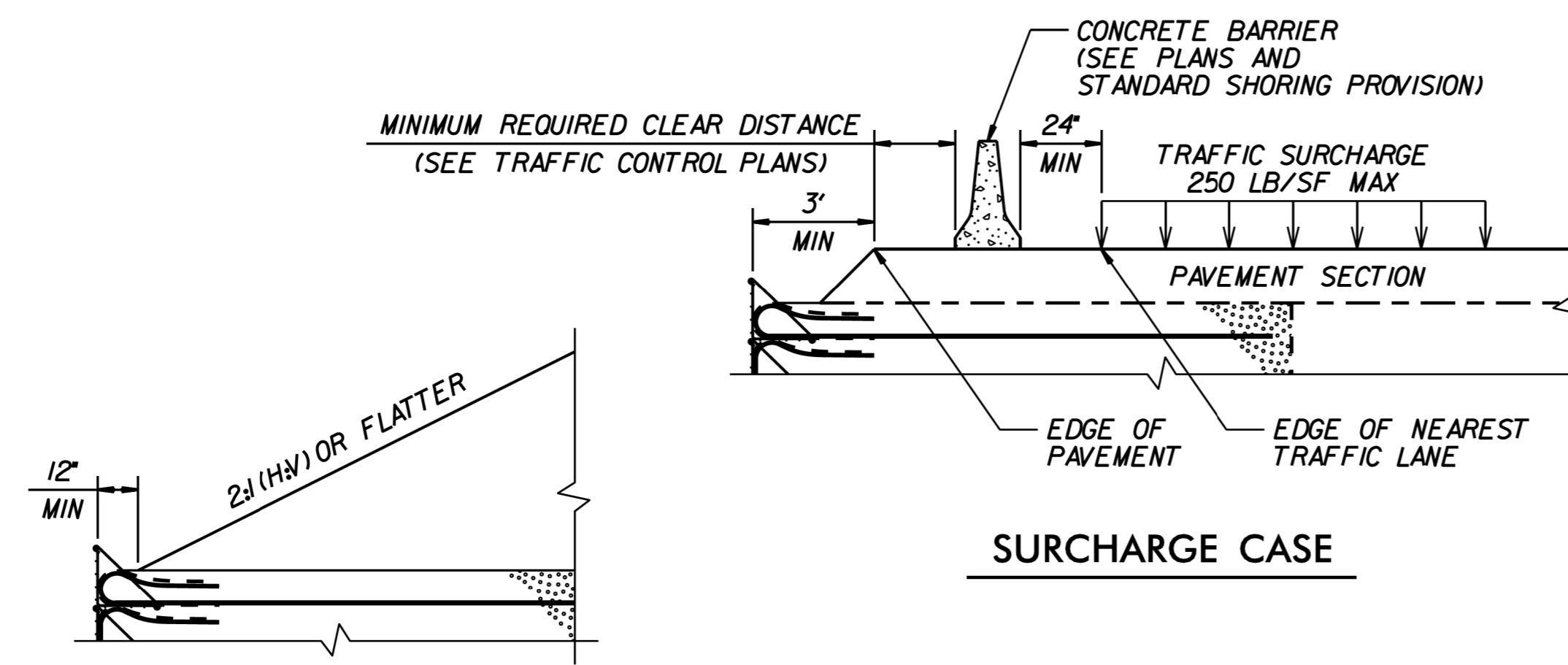


PROJECT REFERENCE NO. EB-4707B	SHEET NO. 2G-2
ROADWAY DESIGN ENGINEER	PAVEMENT DESIGN ENGINEER
DOCUMENT NOT CONSIDERED FINAL UNLESS ALL SIGNATURES COMPLETED	



STANDARD TEMPORARY WALL - PARTIAL ELEVATION

*SEE GEOSYNTHETIC PLACEMENT DETAILS ON SHEET 2.

**SEE REINFORCEMENT TABLES ON SHEET 3.

K:\RAL_Roadway\01036290 - EB-4707 Part B\Plan\Plan Sheets\EB-4707_rdy_Details-Geo.dgn 1/30/2017

<p>NORTH CAROLINA DEPARTMENT OF TRANSPORTATION DIVISION OF HIGHWAYS</p> <p>GEOTECHNICAL ENGINEERING UNIT</p>	STANDARD DETAIL NO. 1801.02
	<p>STANDARD TEMPORARY WALL SHEET 1 OF 3</p> <p>DATE: 11-19-13</p>