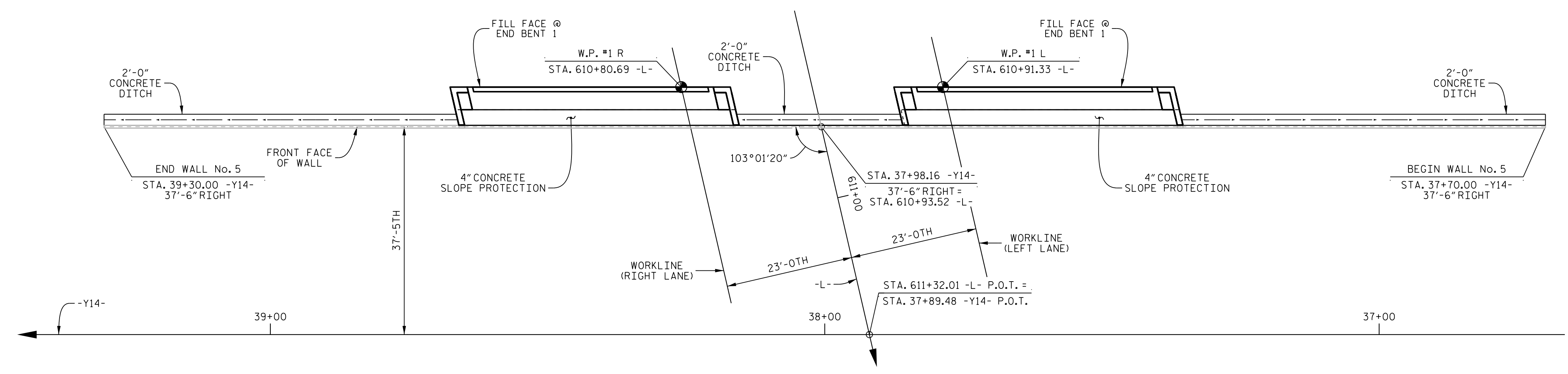
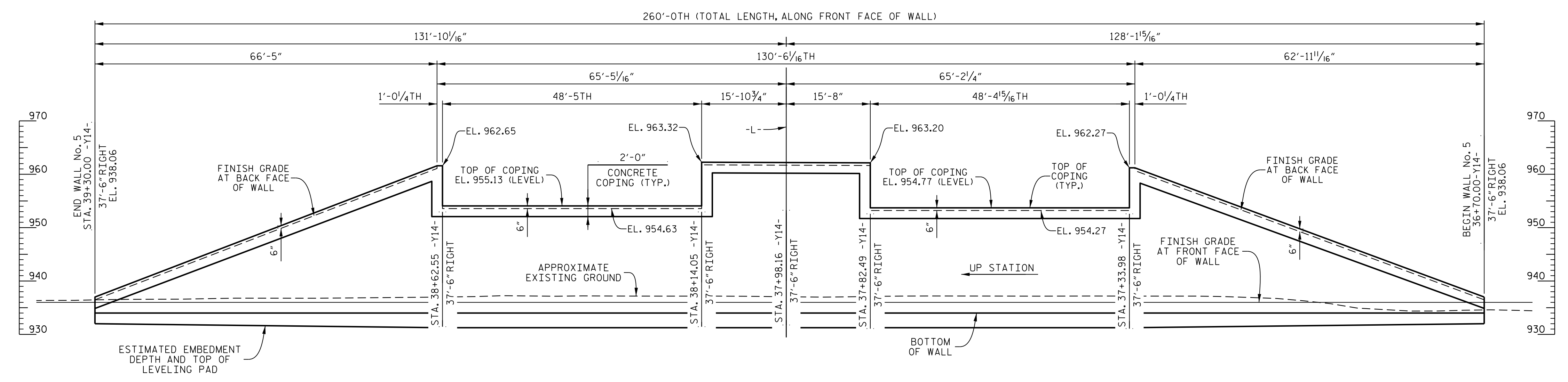


GEOTECHNICAL ENGINEER
 ENGINEER
 SEAL 028893
 MICHAEL H. STEPHENS
 12/6/2016
 DOCUMENT NOT CONSIDERED FINAL UNLESS ALL SIGNATURES COMPLETED



PLAN VIEW - RETAINING WALL NO. 5



WALL ENVELOPE - RETAINING WALL NO. 5

PROJECT NO.: 34497.1.2 (R-2707C)
 CLEVELAND COUNTY
 STATION: STA. 37+98.16 -Y14-
 SHEET 05 OF 09 STA. 610+93.52 -L-

PREPARED BY: MHS DATE: 11/17/16
 REVIEWED BY: SY/SCC DATE: 11/17/16

NORTH CAROLINA
 DEPARTMENT OF TRANSPORTATION
 DIVISION OF HIGHWAYS
 GEOTECHNICAL ENGINEERING UNIT

MSE RETAINING WALL NO. 5
 EB1, BRIDGE NOS. 474 AND 475,
 SITE 7

REVISIONS					
NO.	BY	DATE	NO.	BY	DATE
1			3		
2			4		

SHEET NO. W-5