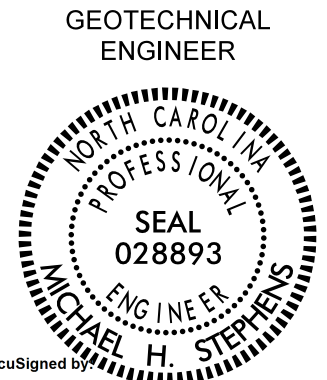
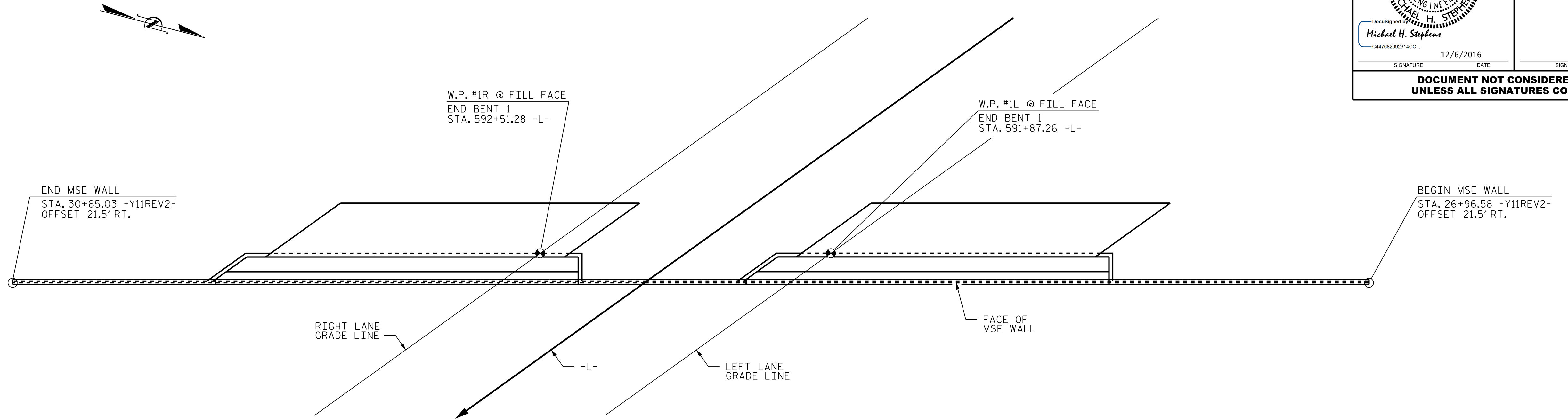
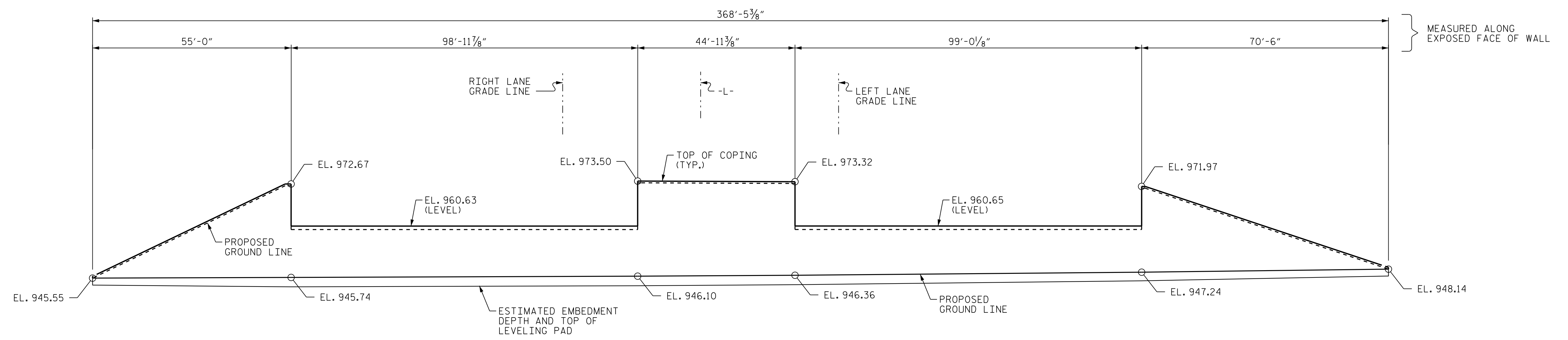


GEOTECHNICAL ENGINEER
 ENGINEER

 Michael H. Stephens
 12/6/2016
 SIGNATURE DATE SIGNATURE DATE
DOCUMENT NOT CONSIDERED FINAL UNLESS ALL SIGNATURES COMPLETED



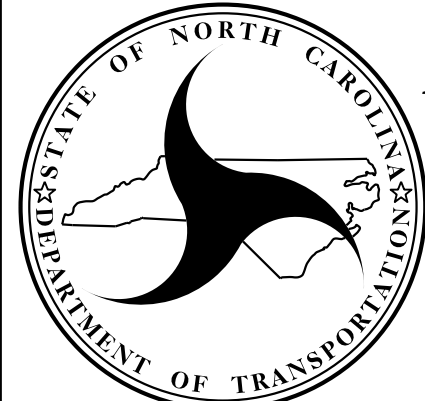
PLAN VIEW - RETAINING WALL NO. 3



WALL ENVELOPE - RETAINING WALL NO. 3

(LOOKING AT EXPOSED FACE OF MSE WALL)
(END BENT NOT SHOWN FOR CLARITY)

PROJECT NO.: 34497.1.2 (R-2707C)
 CLEVELAND COUNTY
 STATION: 596+50.98 -L-
 SHEET 03 OF 09 23+68.80 -Y13-


 NORTH CAROLINA
 DEPARTMENT OF TRANSPORTATION
 DIVISION OF HIGHWAYS
**GEOTECHNICAL
 ENGINEERING UNIT**

MSE RETAINING WALL NO. 3
EB1, BRIDGE 472 AND 473,
SITE 6

REVISIONS					
NO.	BY	DATE	NO.	BY	DATE
1			3		
2			4		

SHEET NO. W-3

PREPARED BY: MHS	DATE: 11/17/16
REVIEWED BY: SY/SCC	DATE: 11/17/16