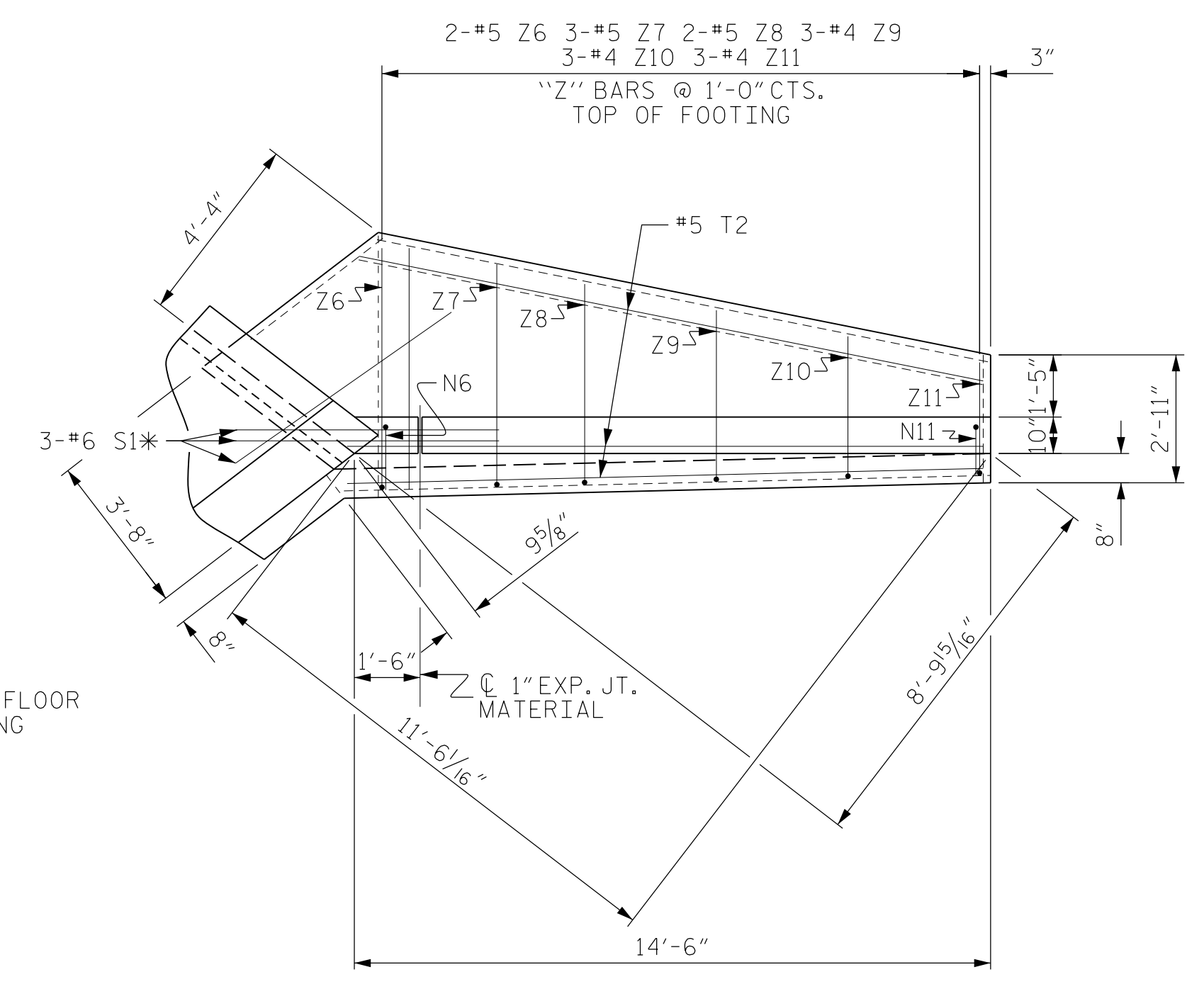
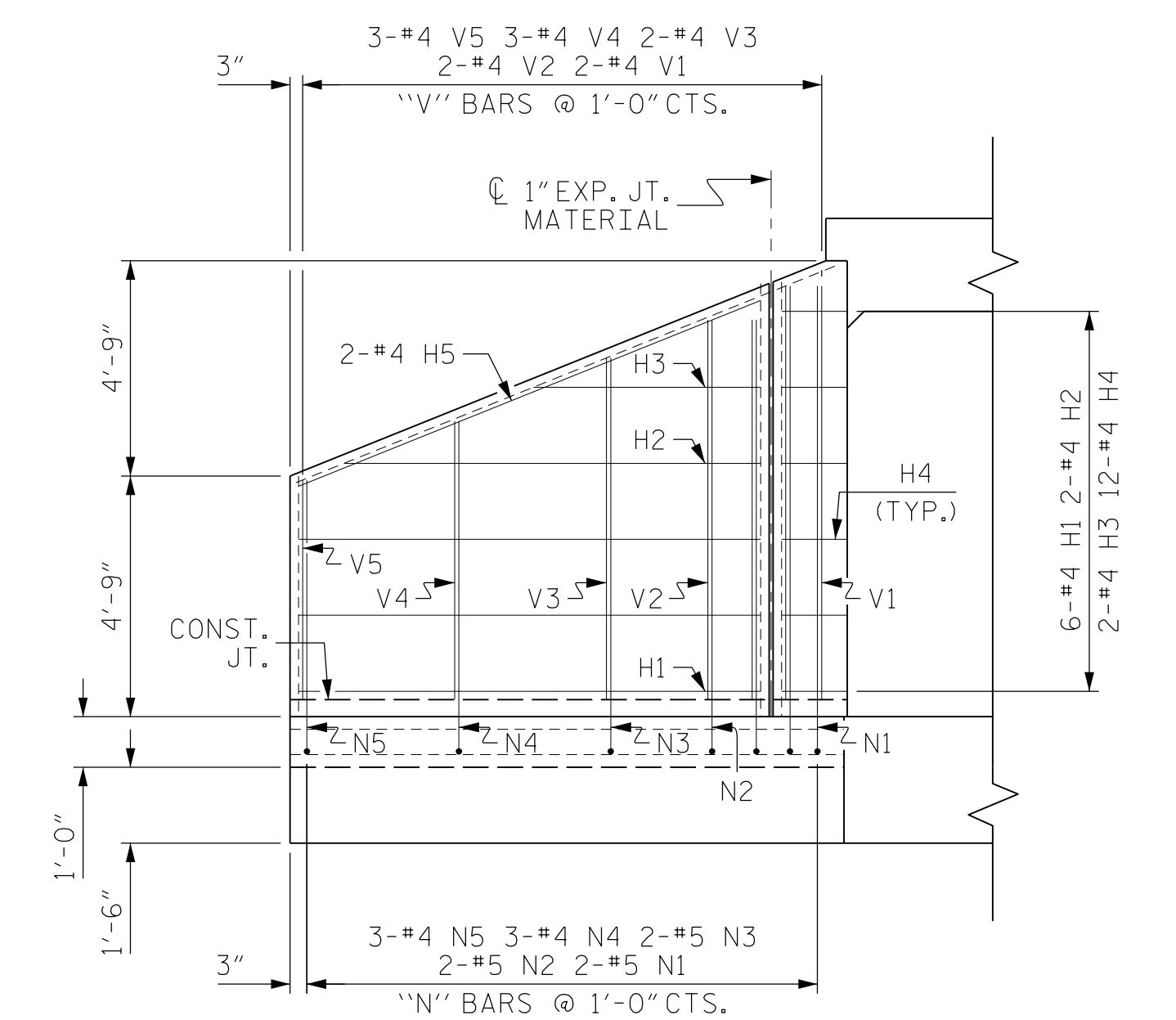


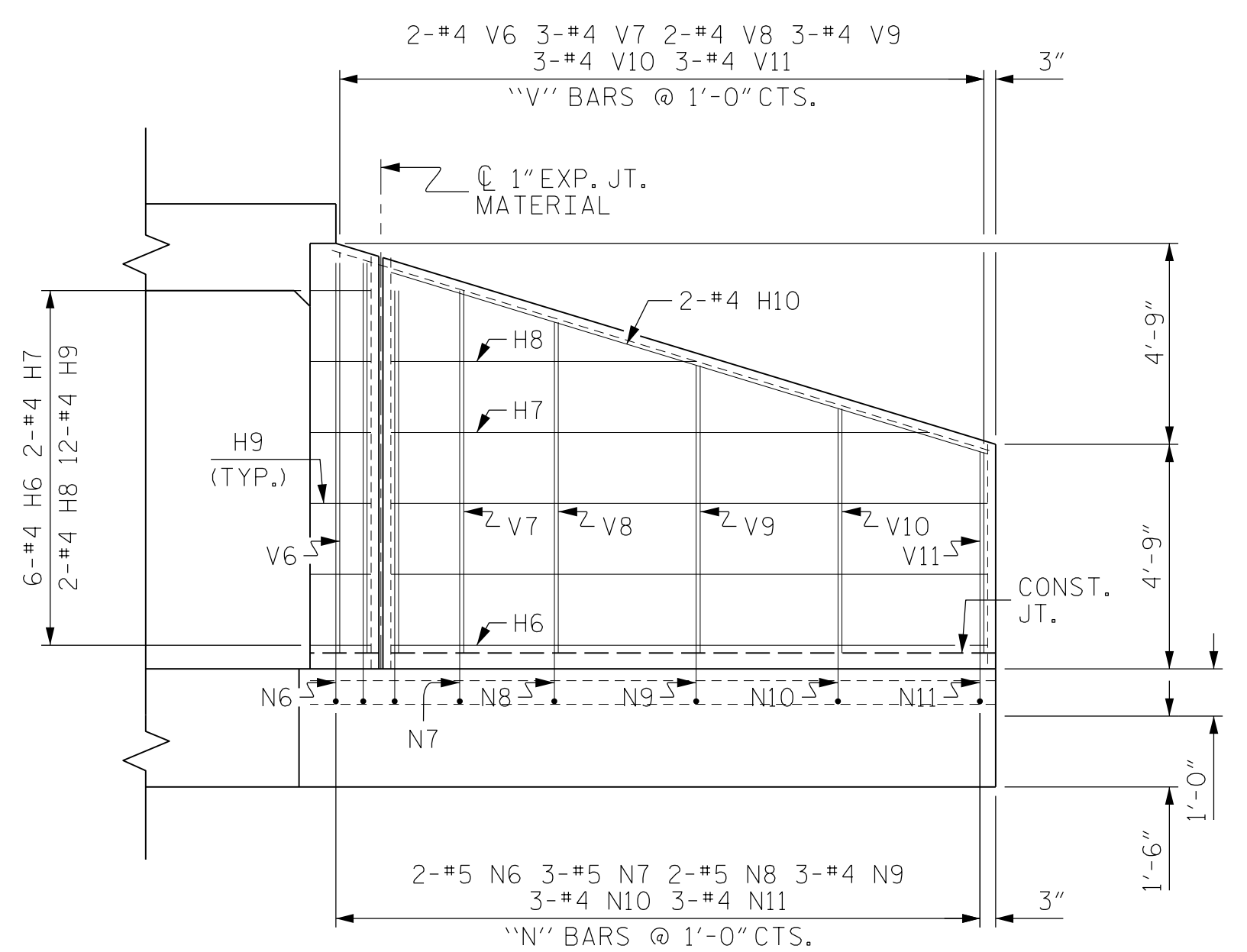
PLAN W2



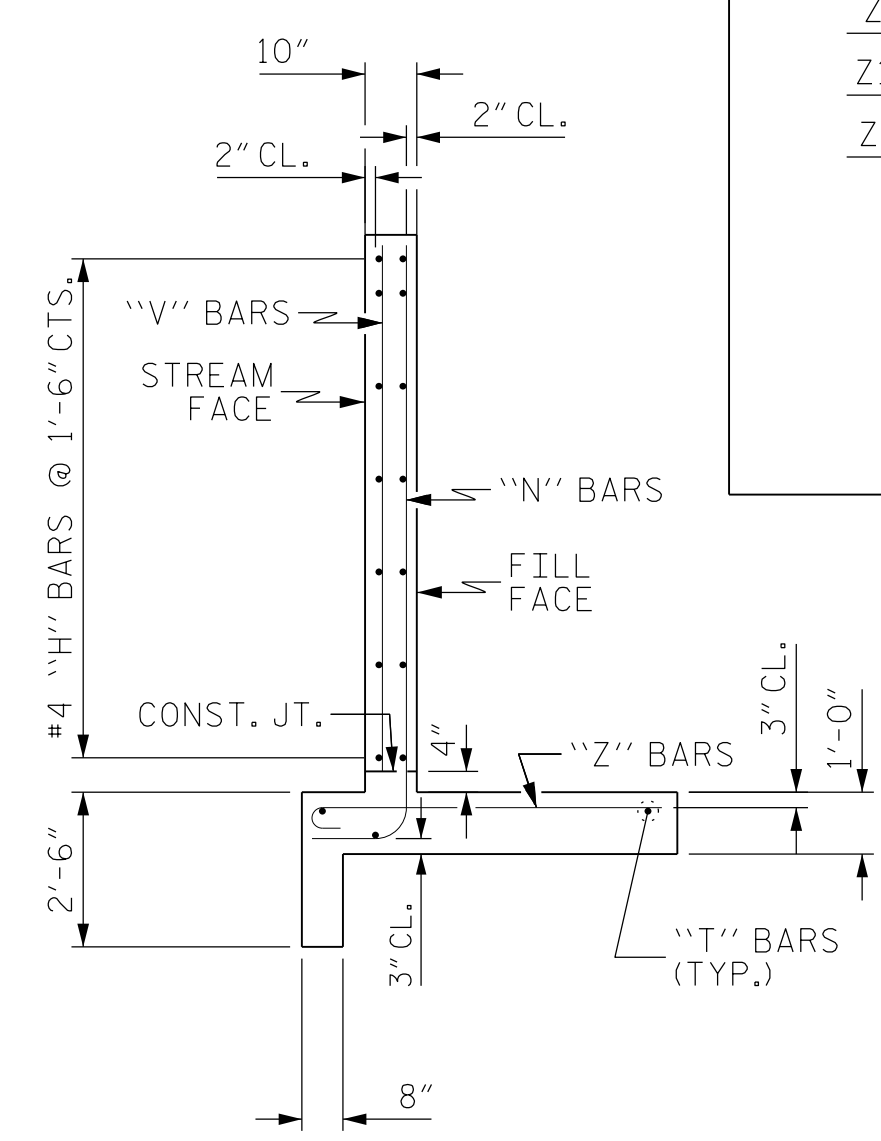
PLAN W1



ELEVATION W2



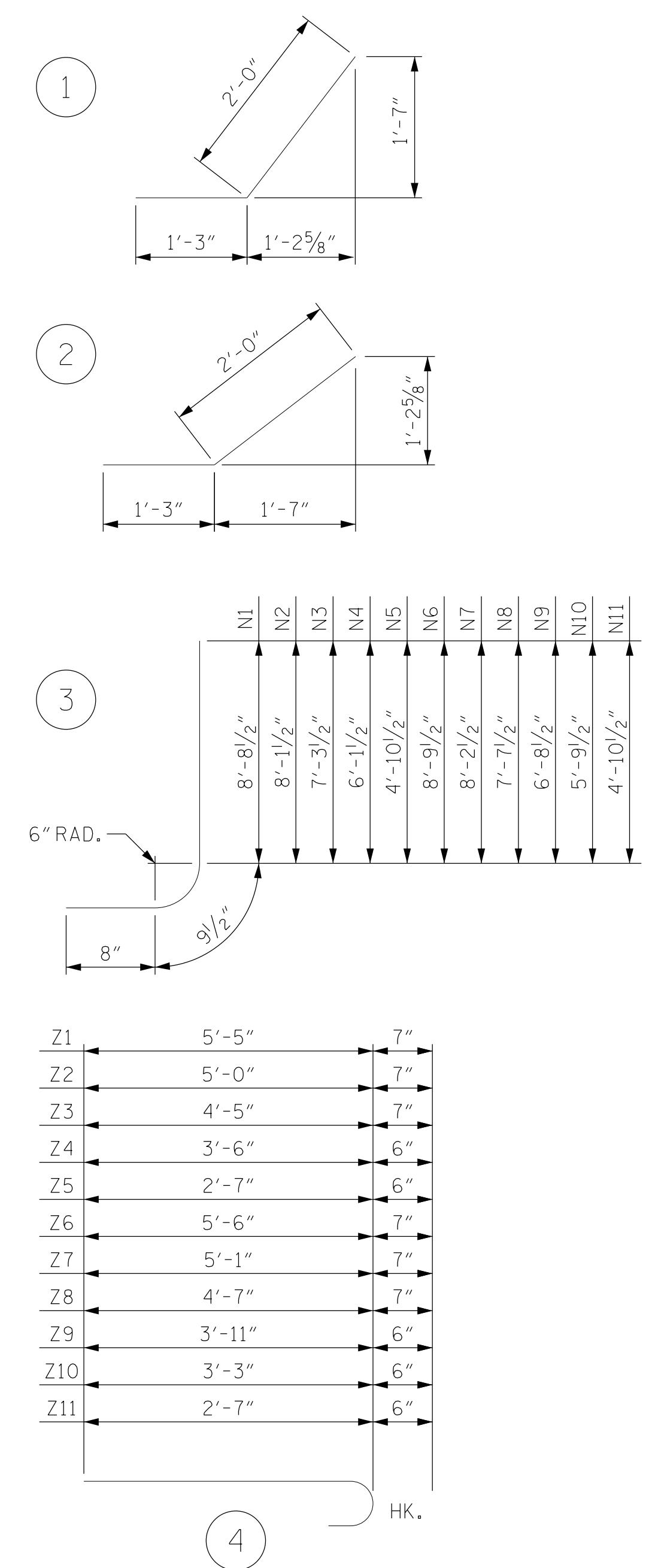
ELEVATION W1



TYPICAL WING SECTION

BAR TYPES

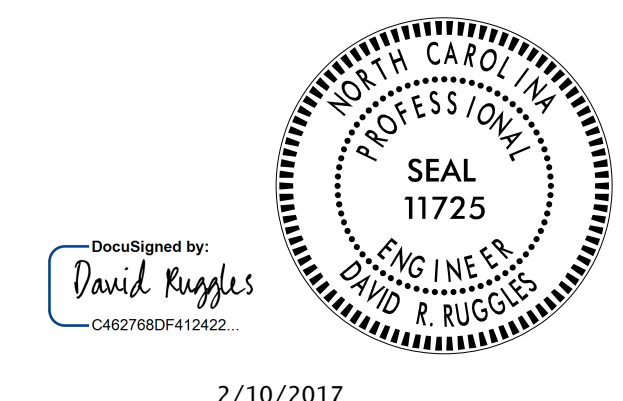
ALL BAR DIMENSIONS ARE OUT TO OUT.



BILL OF MATERIAL

BAR NO.	NO.	SIZE	TYPE	LENGTH	WEIGHT
H1	12	#4	STR	9'-1"	73
H2	4	#4	STR	8'-2"	22
H3	4	#4	STR	4'-5"	12
H4	24	#4	1	3'-3"	52
H5	4	#4	STR	9'-10"	26
H6	12	#4	STR	12'-7"	101
H7	4	#4	STR	11'-4"	30
H8	4	#4	STR	6'-5"	17
H9	24	#4	2	3'-3"	52
H10	4	#4	STR	13'-2"	35
N1	4	#5	3	10'-2"	42
N2	4	#5	3	9'-7"	40
N3	4	#5	3	8'-9"	37
N4	6	#4	3	7'-7"	30
N5	6	#4	3	6'-4"	25
N6	4	#5	3	10'-3"	43
N7	6	#5	3	9'-8"	60
N8	4	#5	3	9'-1"	38
N9	6	#4	3	8'-2"	33
N10	6	#4	3	7'-3"	29
N11	6	#4	3	6'-4"	25
S1	12	#6	STR	6'-0"	108
T1	6	#5	STR	11'-0"	69
T2	6	#5	STR	14'-6"	91
V1	4	#4	STR	8'-2"	22
V2	4	#4	STR	7'-6"	20
V3	4	#4	STR	6'-9"	18
V4	6	#4	STR	5'-6"	22
V5	6	#4	STR	4'-4"	17
V6	4	#4	STR	8'-3"	22
V7	6	#4	STR	7'-8"	31
V8	4	#4	STR	7'-0"	19
V9	6	#4	STR	6'-1"	24
V10	6	#4	STR	5'-2"	21
V11	6	#4	STR	4'-3"	17
Z1	4	#5	4	6'-0"	25
Z2	4	#5	4	5'-7"	23
Z3	4	#5	4	5'-0"	21
Z4	6	#4	4	4'-0"	16
Z5	6	#4	4	3'-1"	12
Z6	4	#5	4	6'-1"	25
Z7	6	#5	4	5'-8"	35
Z8	4	#5	4	5'-2"	22
Z9	6	#4	4	4'-5"	18
Z10	6	#4	4	3'-9"	15
Z11	6	#4	4	3'-1"	12
REINFORCING STEEL FOR 4 WINGS				1547 LBS	
CLASS A CONCRETE					
4 WINGS				22.6	CY
2 HEADWALLS				1.0	CY
2 END CURTAIN WALLS				2.4	CY
2 SILLS				0.6	CY
TOTAL				26.6	CY

PROJECT NO. R-2707C
 CLEVELAND COUNTY
 STATION: 453+07.00 -L-
 SHEET 4 OF 5



2/10/2017
 DOCUMENT NOT CONSIDERED FINAL
 UNLESS ALL SIGNATURES COMPLETED

STEWART
 Firm License No. C-1051
 421 Fayetteville St., Suite 400
 Raleigh, NC 27601
 T 919.380.8750
 www.stewartinc.com

STATE OF NORTH CAROLINA
 DEPARTMENT OF TRANSPORTATION
 RALEIGH
 STANDARD WINGS
 FOR
 CONCRETE BOX CULVERT
 H = 8'-0" SLOPE = 2:1
 75° SKEW

REVISIONS					
NO.	BY:	DATE:	NO.	BY:	DATE:
1			3		
2			4		

SHEET NO. C12-04
 TOTAL SHEETS 5

DRAWN BY: H.ASSFOURA DATE: 11/16
 CHECKED BY: D. RUGGLES DATE: 11/16
 DESIGN ENGINEER OF RECORD: D. RUGGLES DATE: 11/16

R 2707C-SITE 3
 2/10/2017
 \\412-007-R2707C-SMU-WW04-C12-4.dgn
 USER: d.ruggles