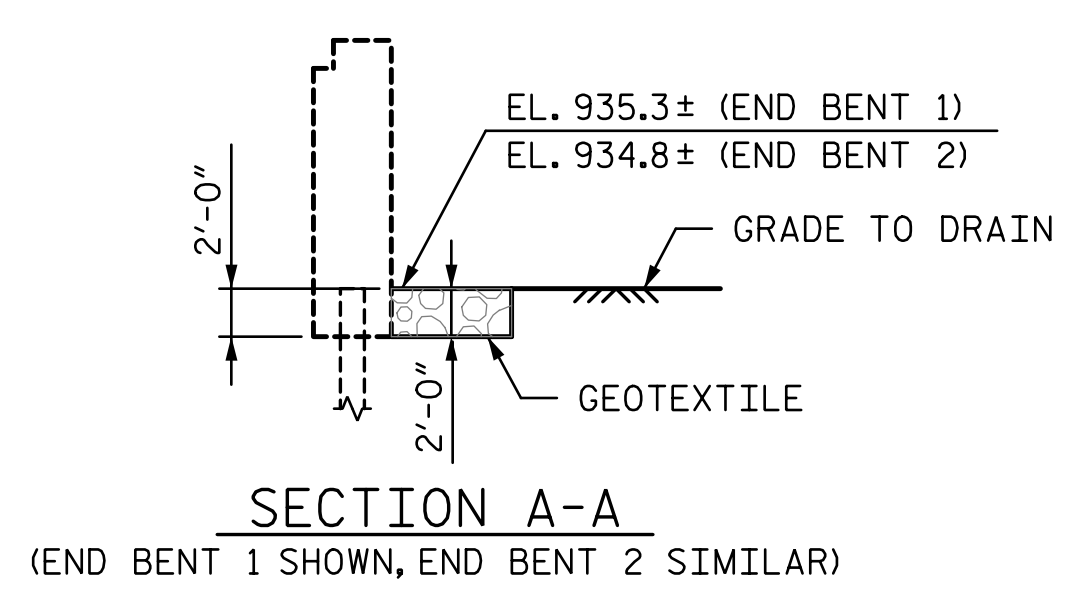


ESTIMATED QUANTITIES		
BRIDGE @ STA. 32+31.41 -Y11REV2-	RIP RAP CLASS II (2'-0" THICK)	GEOTEXTILE FOR DRAINAGE
	TONS	SQUARE YARDS
END BENT 1	68	75
END BENT 2	68	75

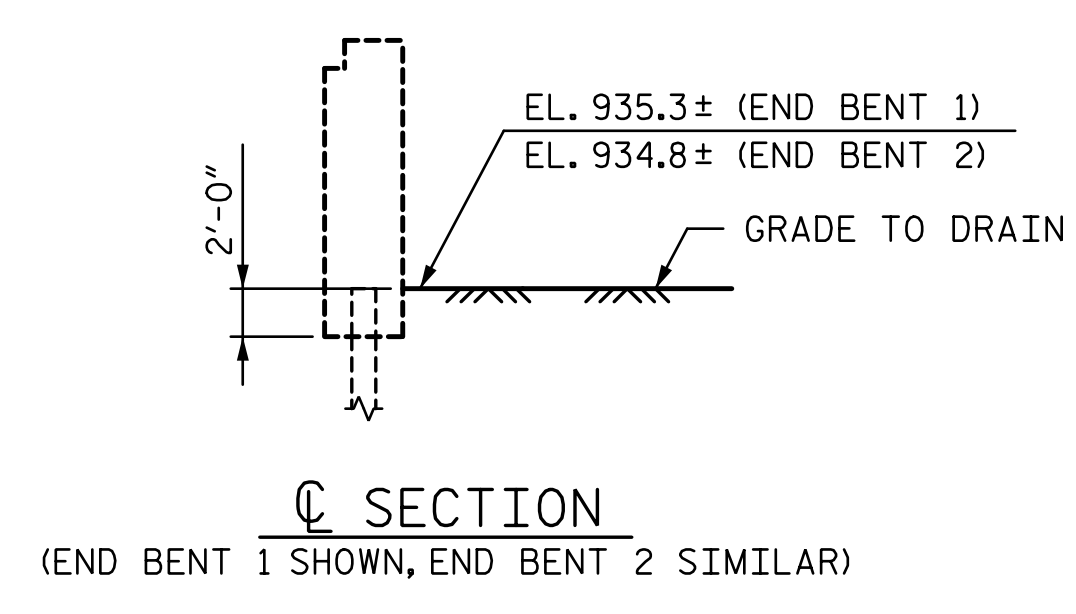
END BENT 1

PLAN

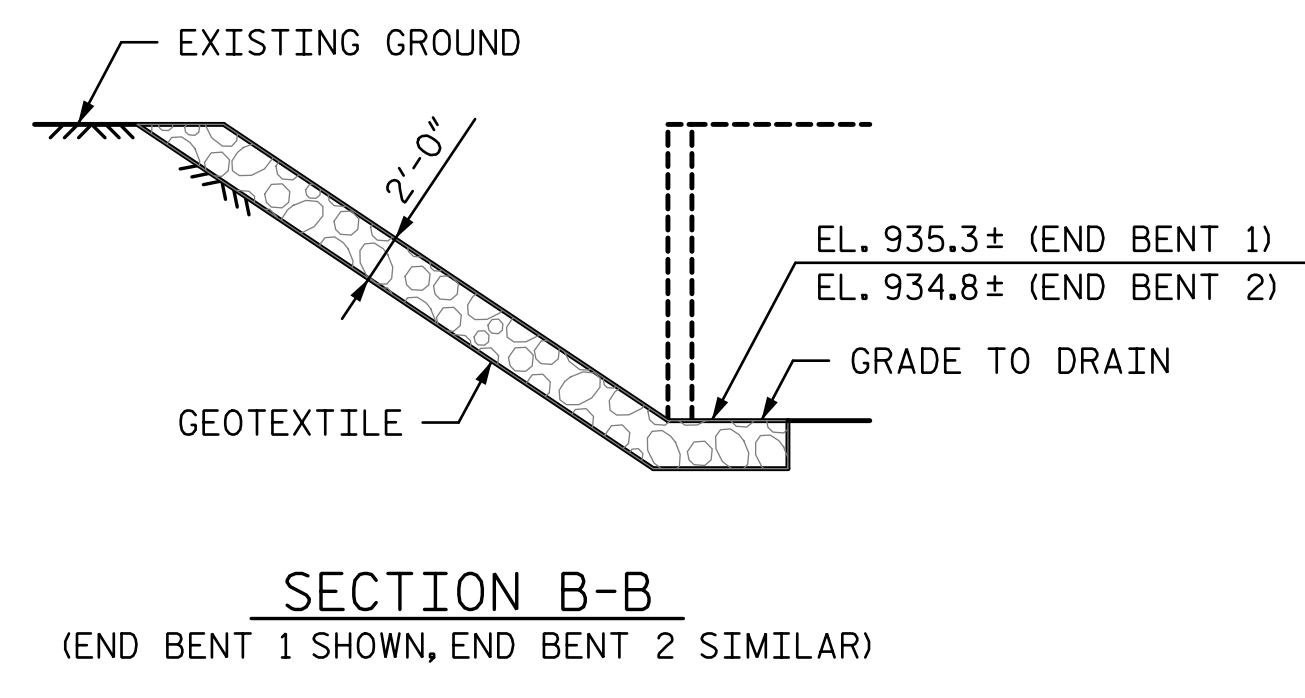
END BENT 2



SECTION A-A



SECTION C-C



SECTION B-B

PROJECT NO. R-2707C
CLEVELAND COUNTY
 STATION: 32+31.41 -Y11REV2-

DOCUMENT NOT CONSIDERED FINAL
UNLESS ALL SIGNATURES COMPLETED

DocuSigned by:
Tony R. Laws, Jr.
3/6/2017

STATE OF NORTH CAROLINA
 DEPARTMENT OF TRANSPORTATION
 RALEIGH

**RIP RAP DETAILS
 AND GRADING PLAN**

REVISIONS						SHEET NO.
NO.	BY:	DATE:	NO.	BY:	DATE:	S11-26
1			3			TOTAL SHEETS
2			4			27

R:\Ustation\411_051_R2707C_SMU_RR_S11-26.dgn
 12:25:52 PM
 3/6/2017

DRAWN BY : <u>MBC</u>	DATE : <u>9-16</u>	DESIGN ENGINEER OF RECORD: <u>T. LAWS</u>	DATE : <u>9-16</u>
CHECKED BY : <u>AJP</u>	DATE : <u>9-16</u>		