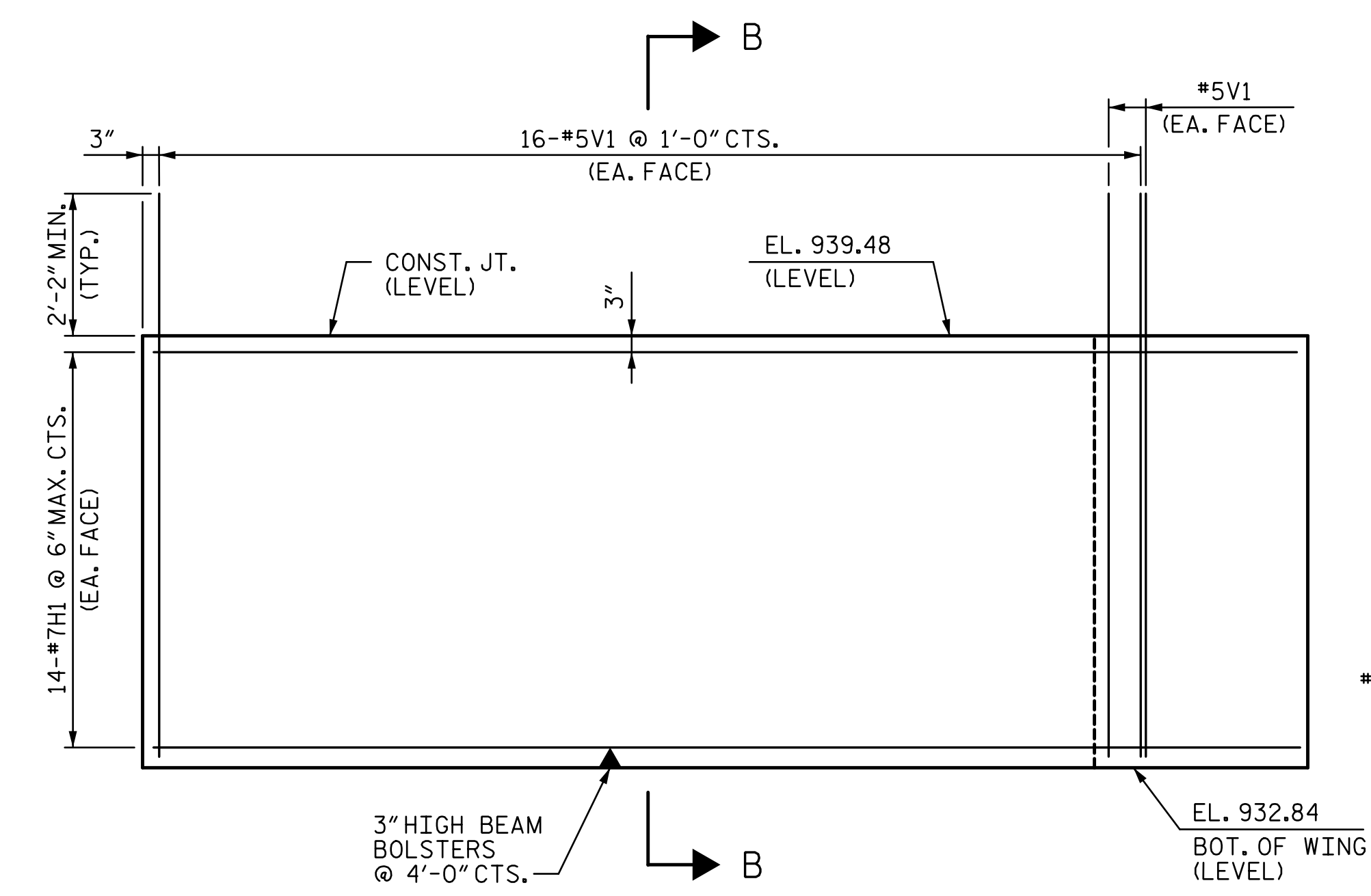
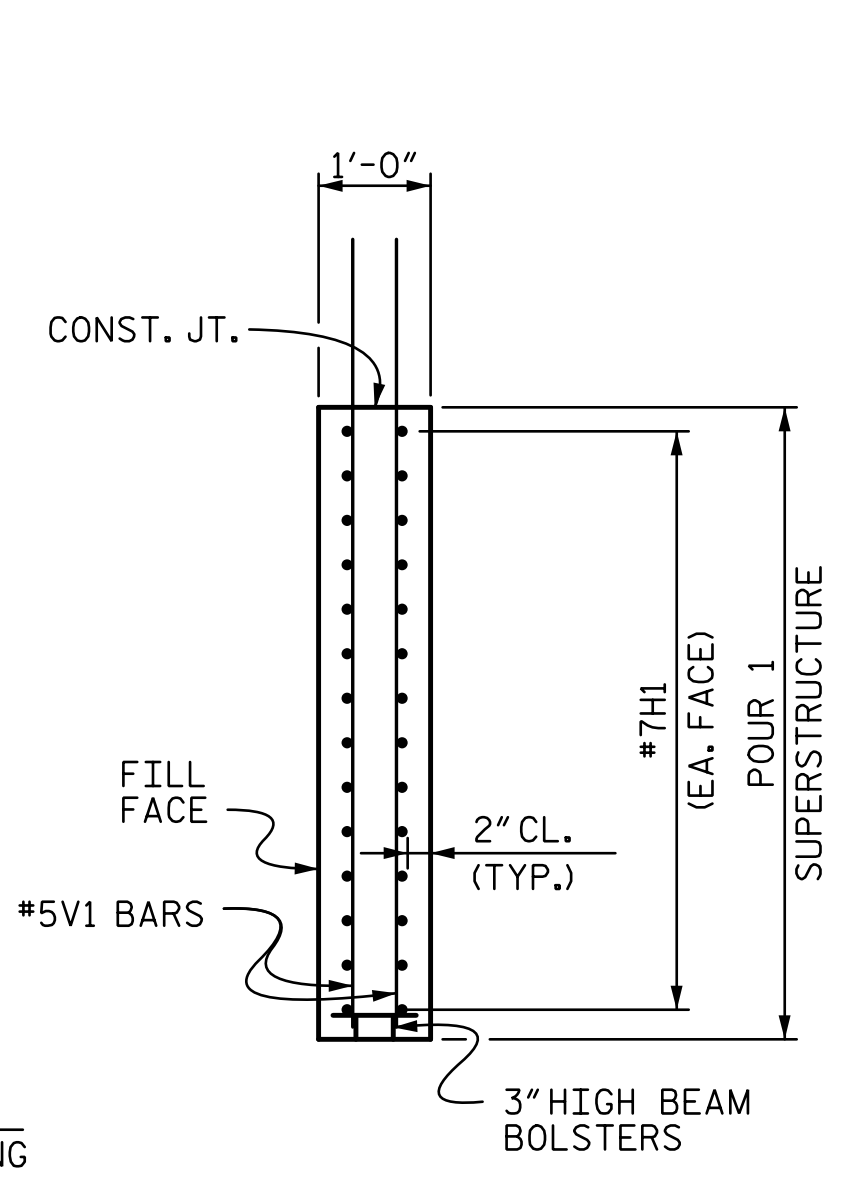


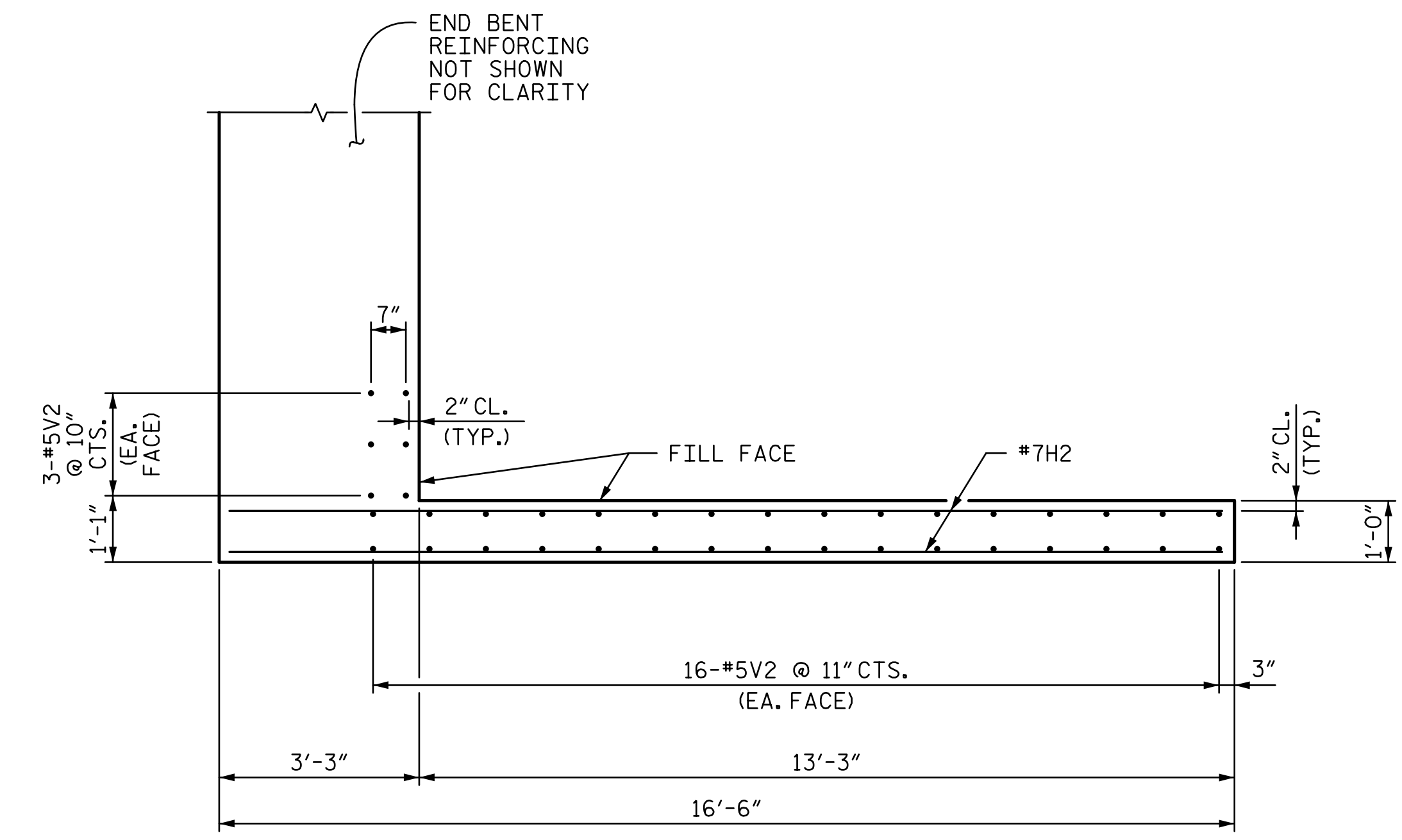
WING WALL PLAN (W3)



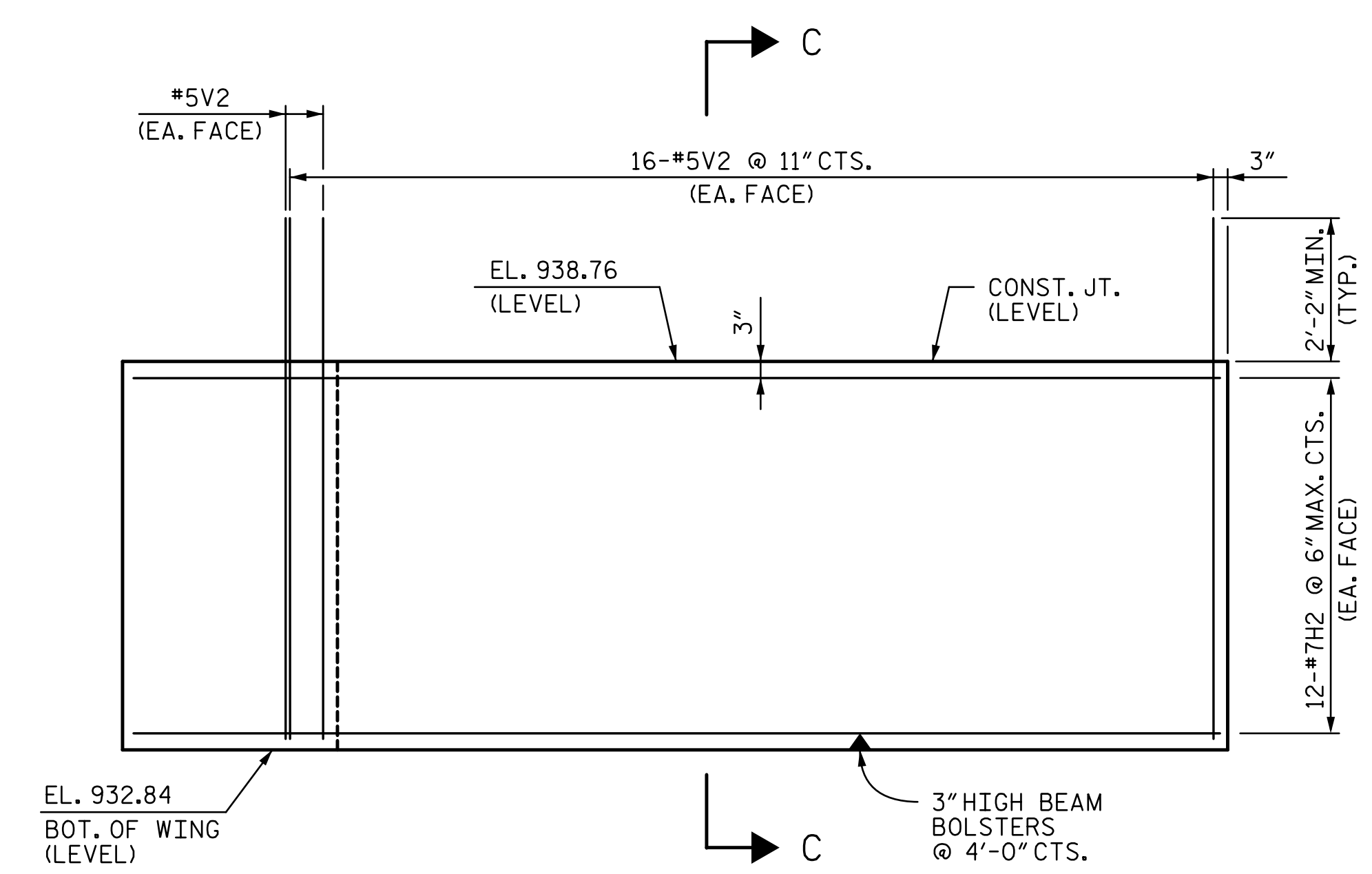
WING WALL ELEVATION (W3)



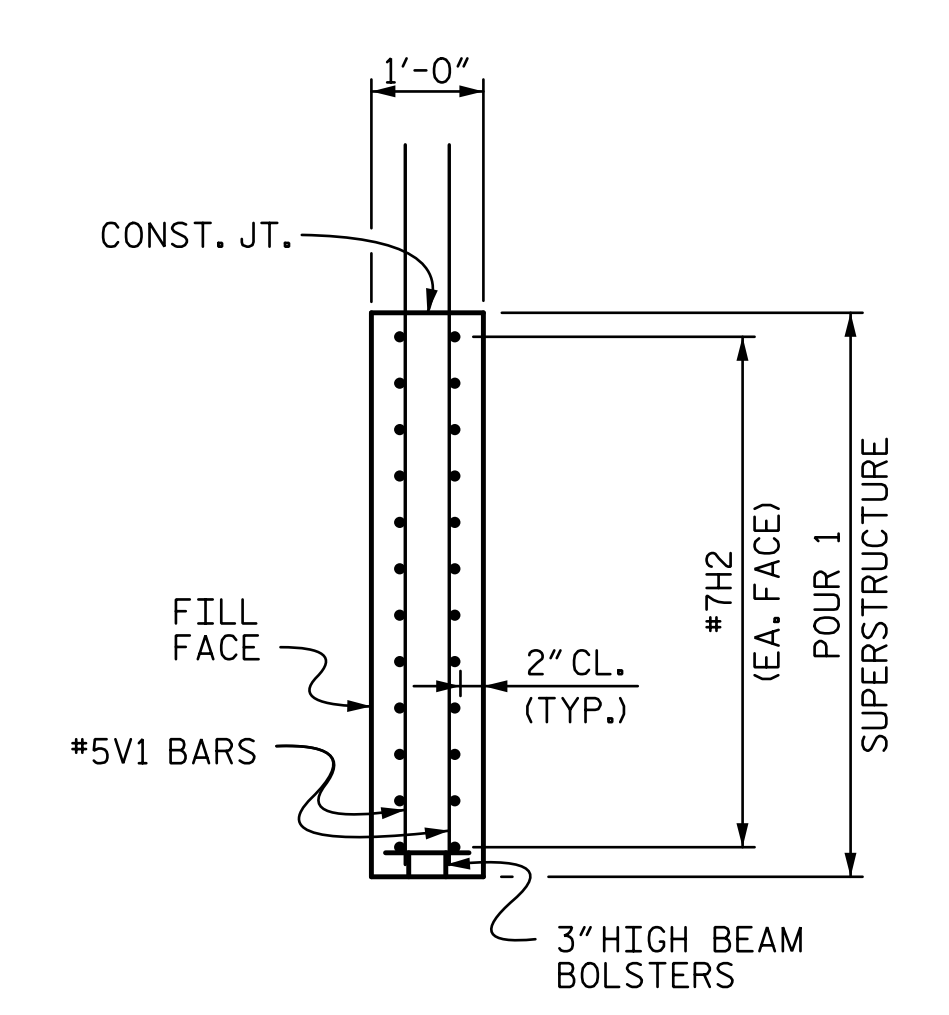
SECTION B-B



WING WALL PLAN (W4)



WING WALL ELEVATION (W4)



SECTION C-C

PROJECT NO. R-2707C
CLEVELAND COUNTY
 STATION: 32+31.41 -Y11REV2-
 SHEET 2 OF 3

R:\Ustation\411_047_R2707C_SML\EB2-2_S11-24.dgn 12:25:48 PM 3/6/2017

DRAWN BY : <u>MBC</u>	DATE : <u>9-16</u>	DESIGN ENGINEER OF RECORD: <u>T. LAWS</u>	DATE : <u>9-16</u>
CHECKED BY : <u>AJP</u>	DATE : <u>9-16</u>		

DOCUMENT NOT CONSIDERED FINAL UNLESS ALL SIGNATURES COMPLETED

DocuSigned by:
Tony R. Laws, Jr.
 3/6/2017

STATE OF NORTH CAROLINA
 DEPARTMENT OF TRANSPORTATION
 RALEIGH

SUBSTRUCTURE

END BENT 2 (INTEGRAL)

REVISIONS				SHEET NO.	
NO.	BY:	DATE:	NO.	BY:	DATE:
1			3		
2			4		

TOTAL SHEETS	27
--------------	----