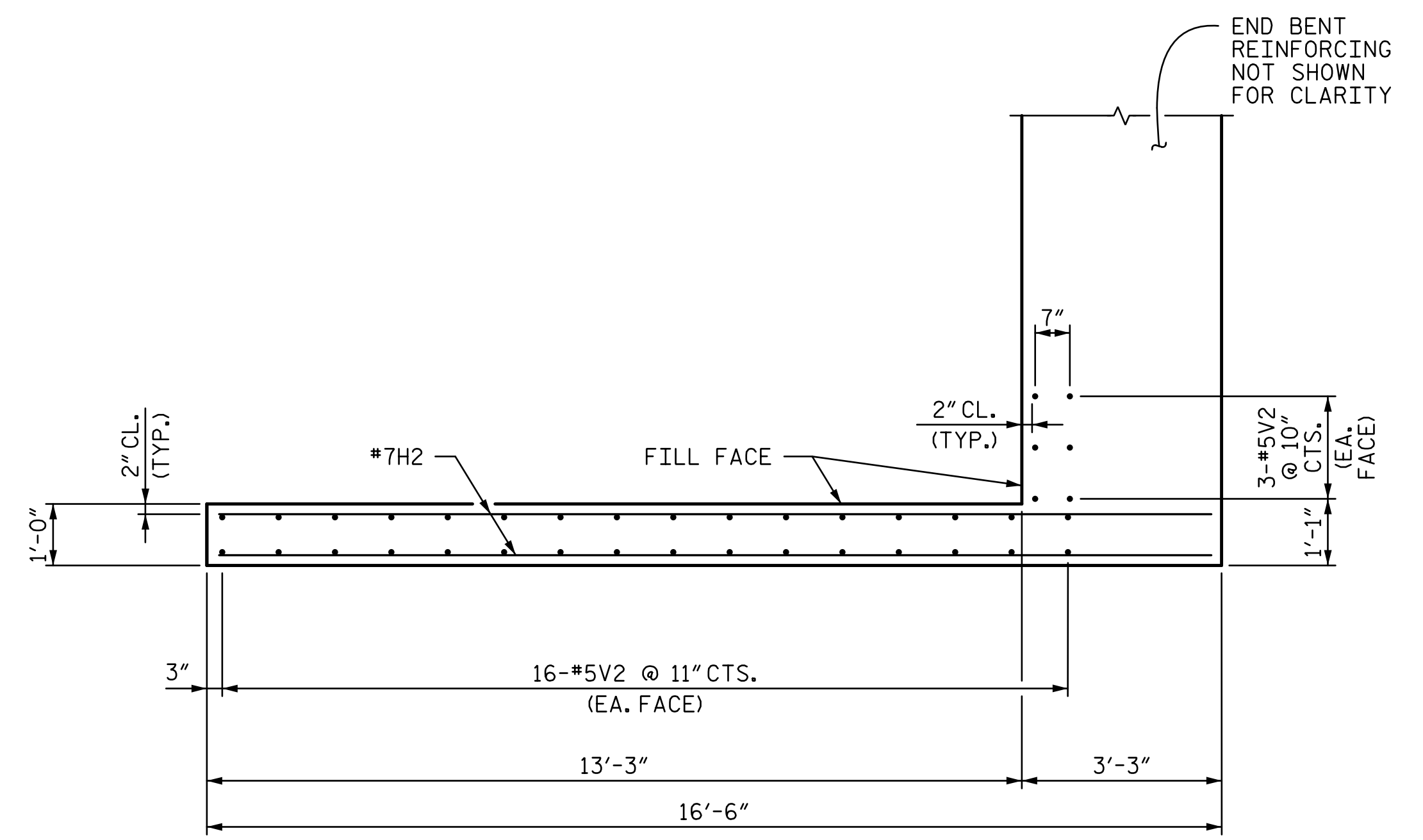
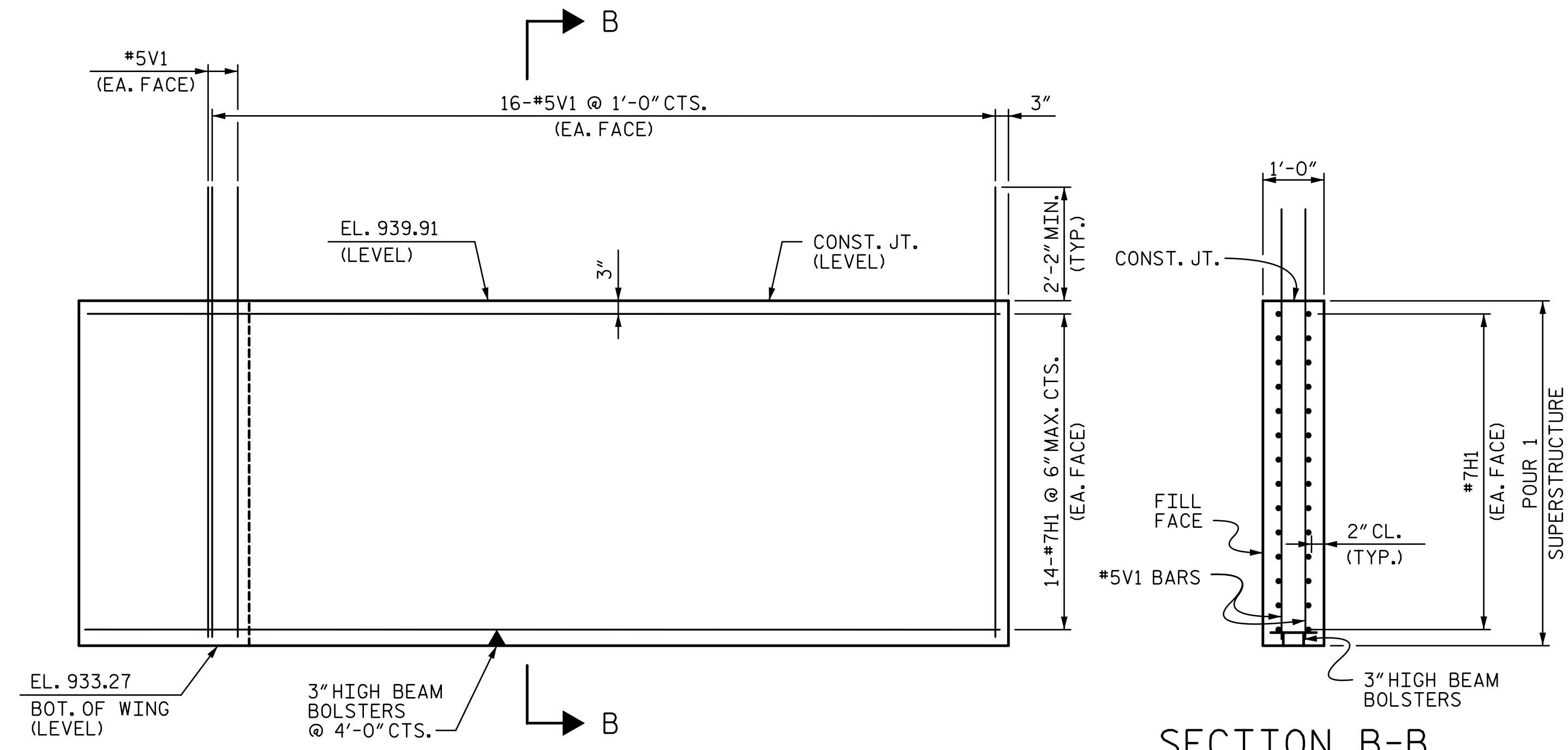


WING WALL PLAN (W1)

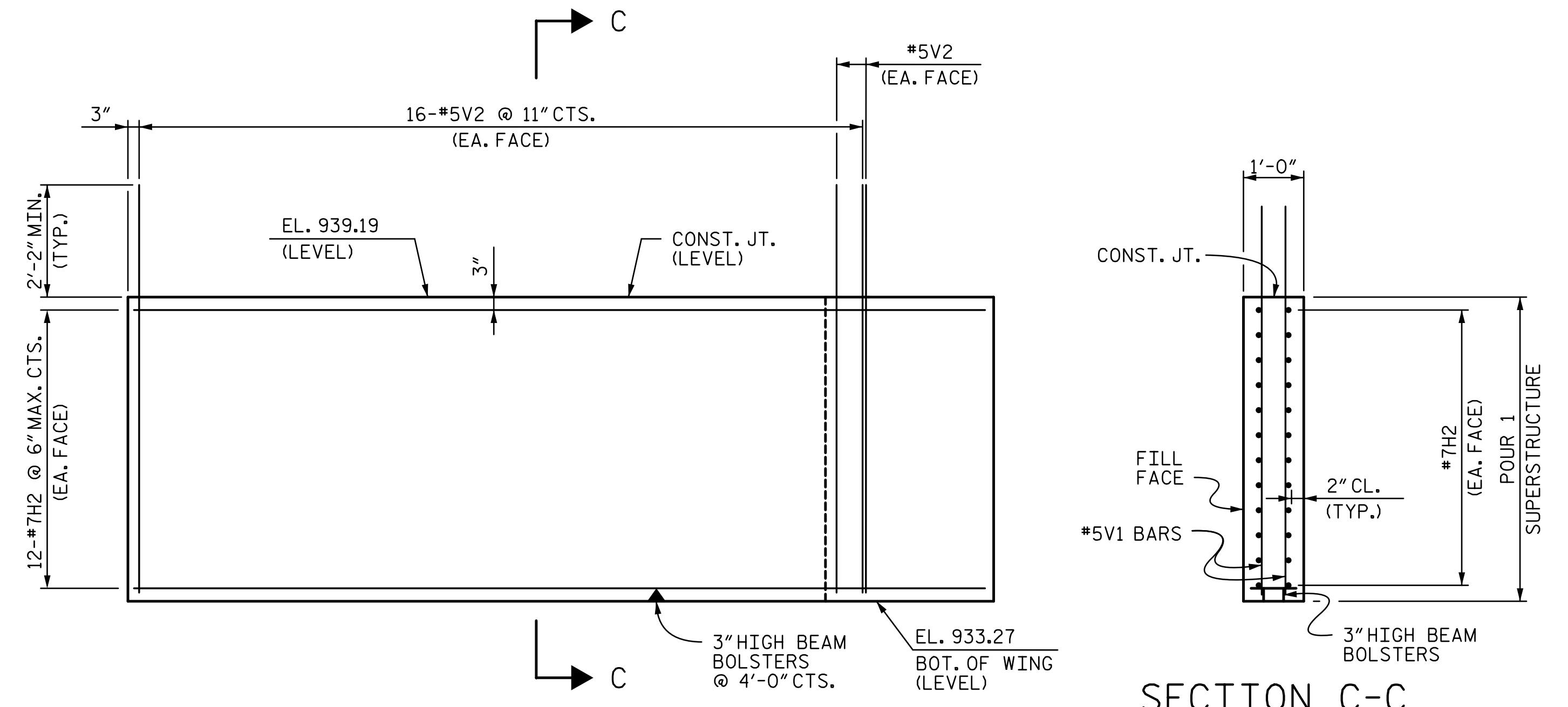


WING WALL PLAN (W2)



WING WALL ELEVATION (W1)

SECTION B-B



WING WALL ELEVATION (W2)

SECTION C-C

PROJECT NO. R-2707C
CLEVELAND COUNTY
 STATION: 32+31.41 -Y11REV2-
 SHEET 2 OF 3

R:\Ustation\411_041_R2707C_SMU_EBL_2_S11-21.dgn 12:25:46 PM 3/6/2017

| | | | |
|-------------------------|--------------------|---|--------------------|
| DRAWN BY : <u>MBC</u> | DATE : <u>9-16</u> | DESIGN ENGINEER OF RECORD: <u>T. LAWS</u> | DATE : <u>9-16</u> |
| CHECKED BY : <u>AJP</u> | DATE : <u>9-16</u> | | |

DOCUMENT NOT CONSIDERED FINAL
UNLESS ALL SIGNATURES COMPLETED

DocuSigned by:
Tony R. Laws, Jr.
3/6/2017

STATE OF NORTH CAROLINA
DEPARTMENT OF TRANSPORTATION
RALEIGH

SUBSTRUCTURE

END BENT 1 (INTEGRAL)

| REVISIONS | | | | SHEET NO. | |
|-----------|-----|-------|-----|-----------|-------|
| NO. | BY: | DATE: | NO. | BY: | DATE: |
| 1 | | | 3 | | |
| 2 | | | 4 | | |

| | |
|--------------------|---------------------|
| TOTAL SHEETS 27 | SHEET NO. S11-21 |
|--------------------|---------------------|