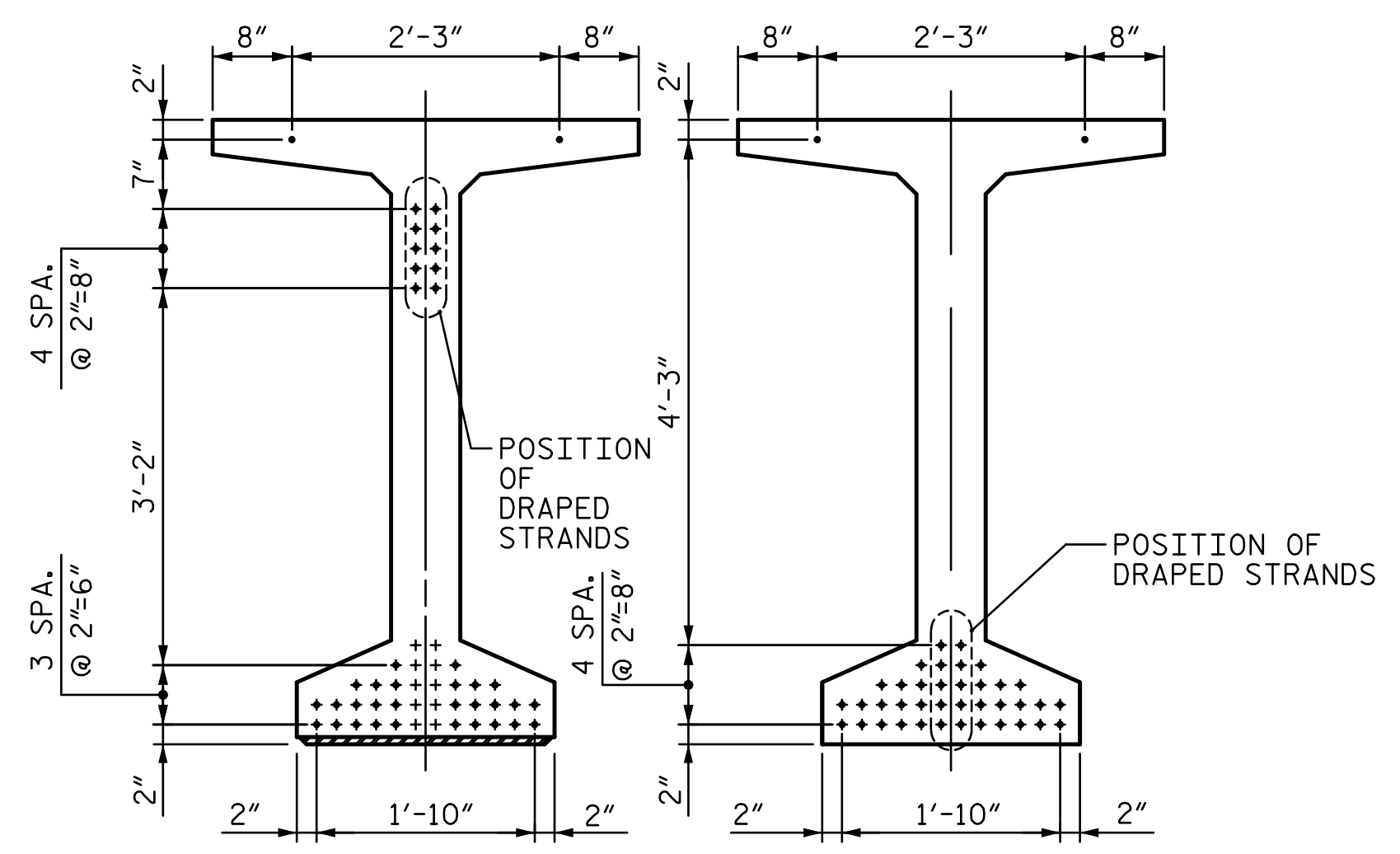


DEBONDING LEGEND
 ● FULLY BONDED STRANDS



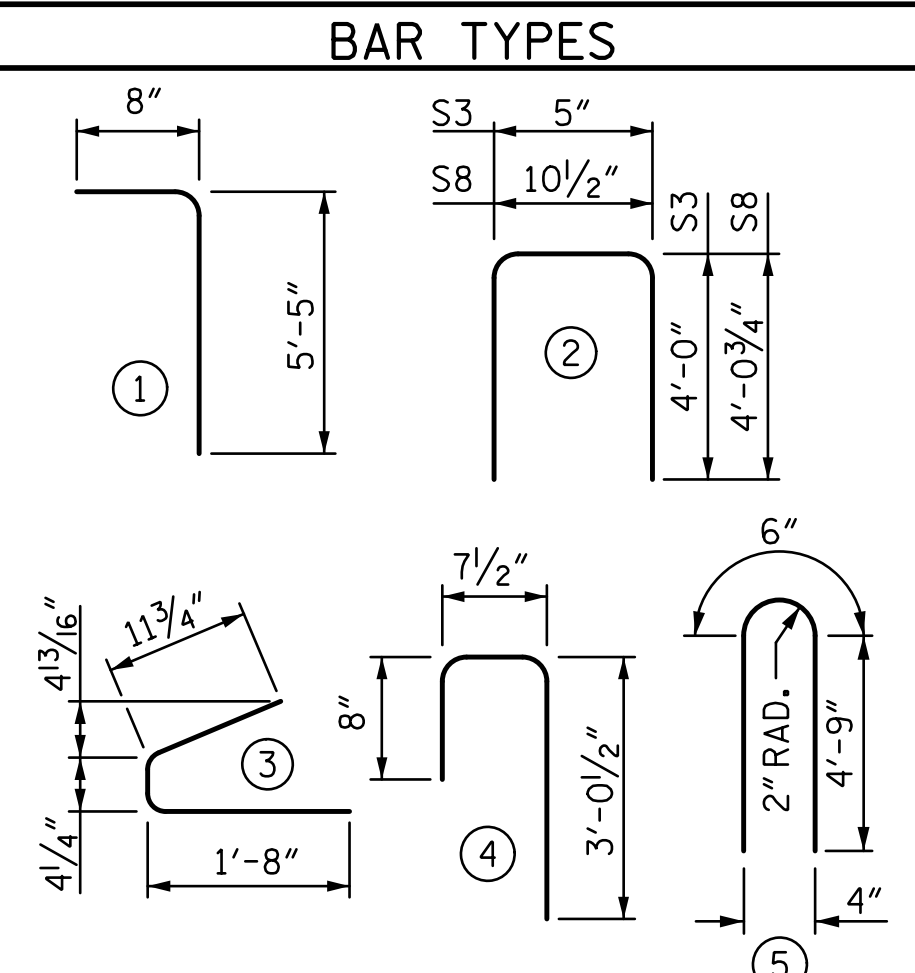
AT END OF GIRDER AT C. OF GIRDER
 0.6" Ø LOW RELAXATION STRAND LAYOUT

- NOTES:
- FOR DIAPHRAGM HOLE LOCATIONS, SEE "FRAMING PLAN" SHEET.
 - FOR ADDITIONAL GIRDER DETAILS, SEE SHEET 2 OF 2.
 - FOR NOTES, SEE SHEET 2 OF 2.
 - THE UPLIFT FORCE DUE TO DRAPED STRANDS IS 30 KIPS.

0.6" Ø L. R. GRADE 270 STRANDS		
AREA (SQ. INCHES)	ULTIMATE STRENGTH (LBS. PER STRAND)	APPLIED PRESTRESS (LBS. PER STRAND)
0.217	58,600	43,950

REINFORCING STEEL FOR ONE GDR					
BAR	NUMBER	SIZE	TYPE	LENGTH	WEIGHT
S1	190	#4	1	6'-1"	772
S2	24	#6	1	6'-1"	219
S3	12	#4	2	8'-5"	67
S4	72	#4	3	3'-0"	144
S6	214	#5	4	4'-4"	967
*S7	40	#5	STR	3'-8"	153
S8	2	#5	2	9'-0"	19
S9	69	#5	STR	3'-3"	234
S10	2	#3	STR	1'-10"	1
S11	8	#5	5	10'-0"	83
S12	16	#4	STR	8'-0"	86

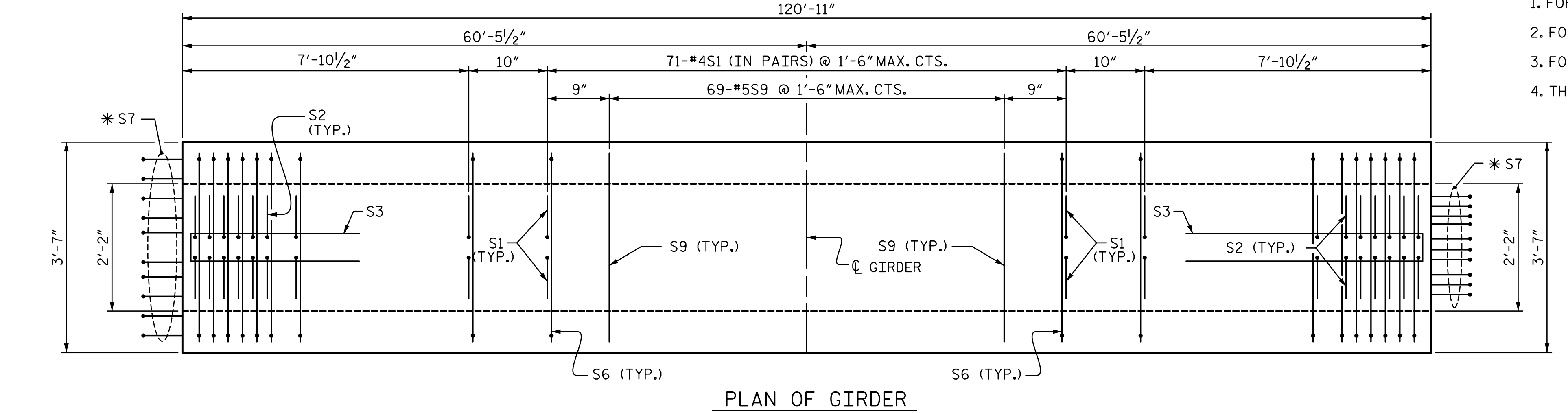
* NOTE: S7 BARS SHALL BE BENT BEFORE SHIPMENT. HEAT BENDING SHALL NOT BE ALLOWED.



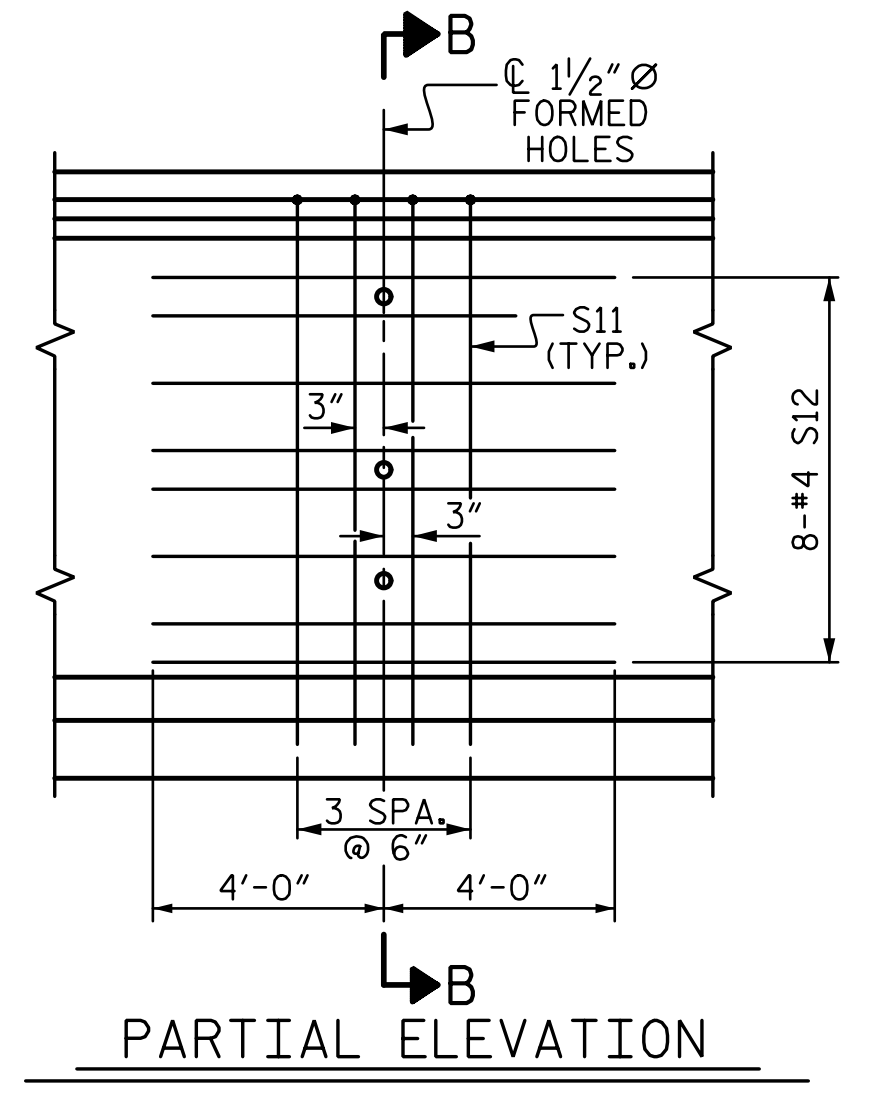
ALL BAR DIMENSIONS ARE OUT-TO-OUT

QUANTITIES FOR ONE GIRDER		
REINFORCING STEEL	9000 PSI CONCRETE	0.6" Ø L.R. STRANDS
LB.	C.Y.	No.
2745	24.0	40

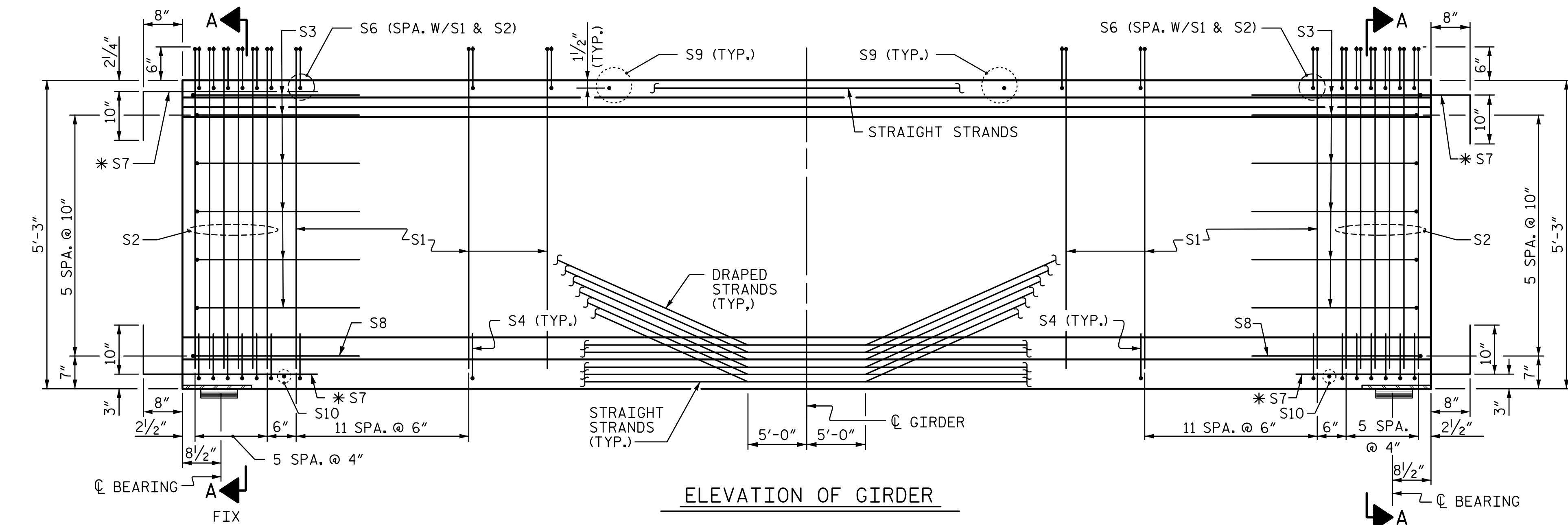
GIRDERS REQUIRED		
NUMBER	LENGTH	TOTAL LENGTH
5	120'-11"	604'-7"



PLAN OF GIRDER



PARTIAL ELEVATION



ELEVATION OF GIRDER

3/6/2017 12:25:40 PM R:\station\411_023_R2707C_SML_PCG_S11-12.dgn

DRAWN BY: MBC DATE: 9-16
 CHECKED BY: AJP DATE: 9-16
 DESIGN ENGINEER OF RECORD: T. LAWS DATE: 9-16

DOCUMENT NOT CONSIDERED FINAL UNLESS ALL SIGNATURES COMPLETED



DocuSigned by:
 Tony R. Laws, Jr.
 3/6/2017

STATE OF NORTH CAROLINA
 DEPARTMENT OF TRANSPORTATION
 RALEIGH
**63" PRESTRESSED CONCRETE
 MODIFIED BULB TEE**

PROJECT NO. R-2707C
CLEVELAND COUNTY
 STATION: 32+31.41 -Y11REV2-
 SHEET 1 OF 2

REVISIONS				SHEET NO.	
NO.	BY:	DATE:	NO.	BY:	DATE:
1			3		
2			4		

TOTAL SHEETS: 27