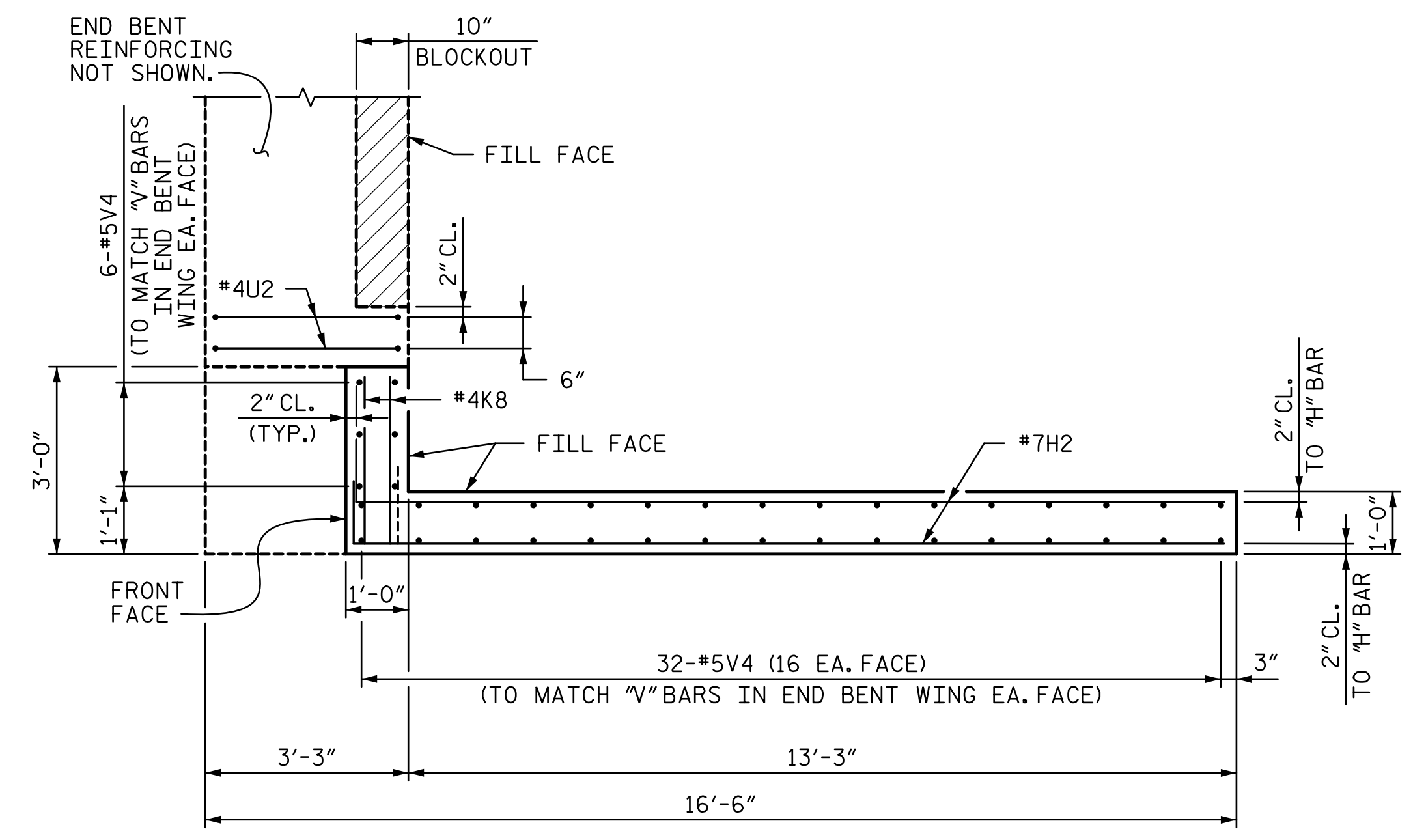
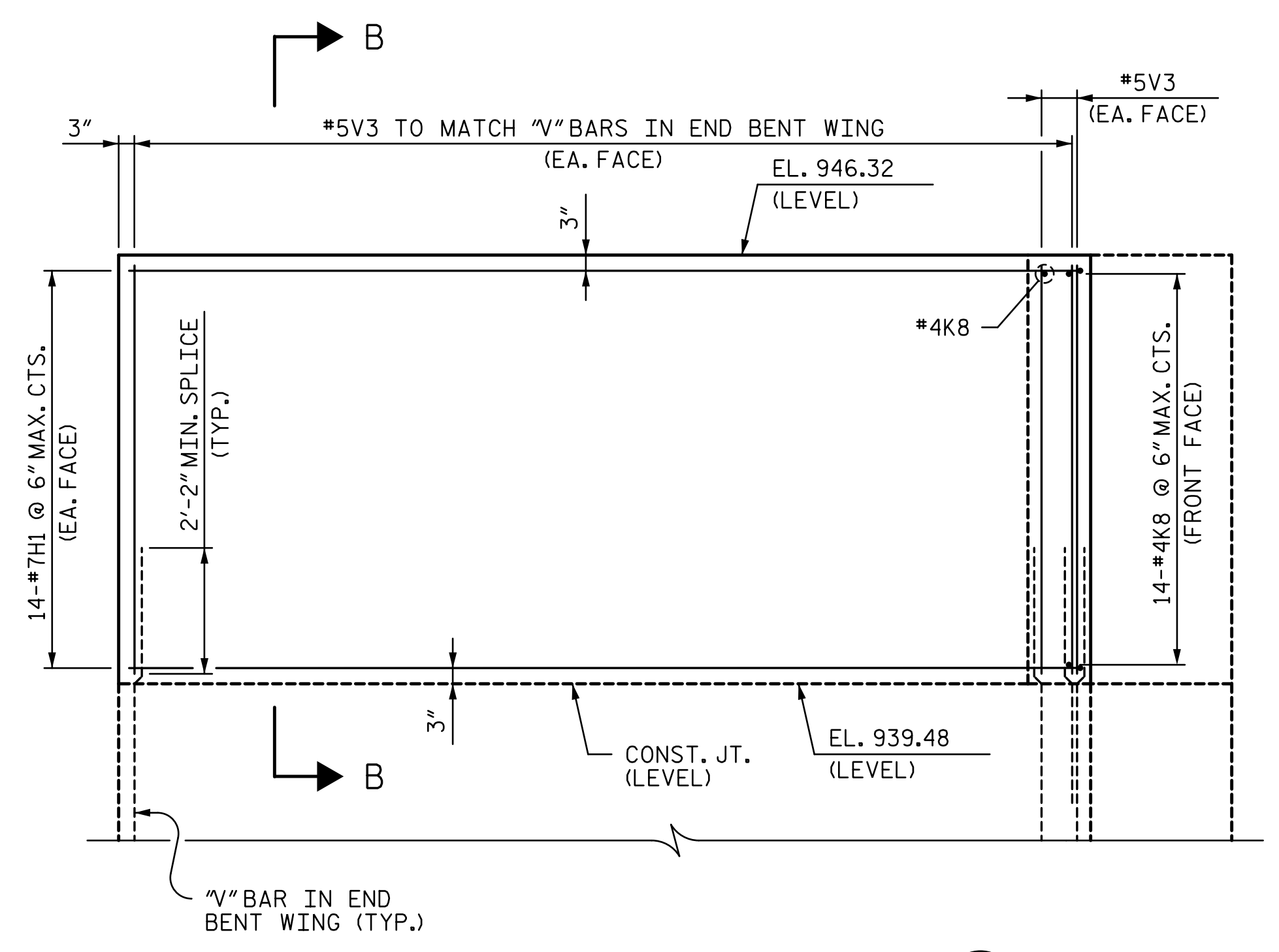


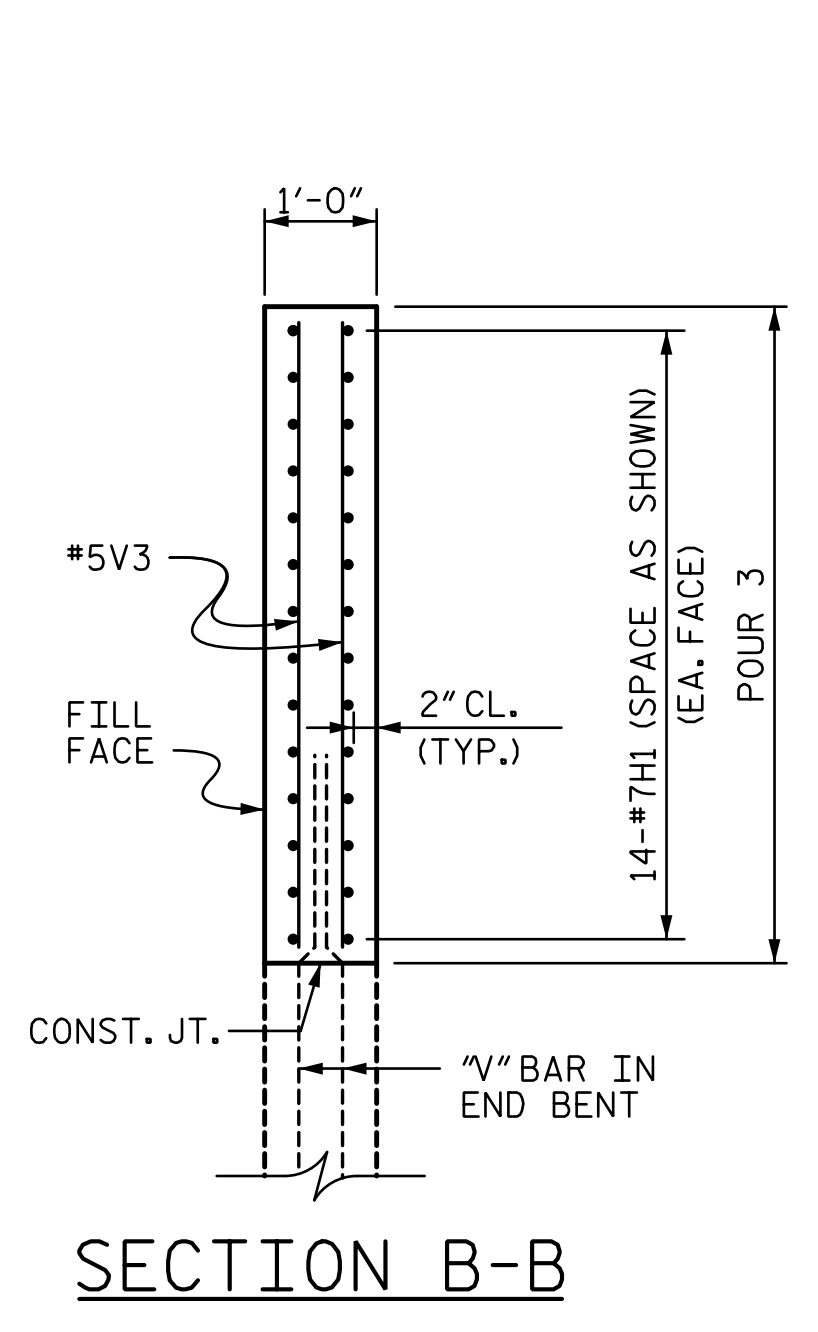
WING WALL PLAN (W3)



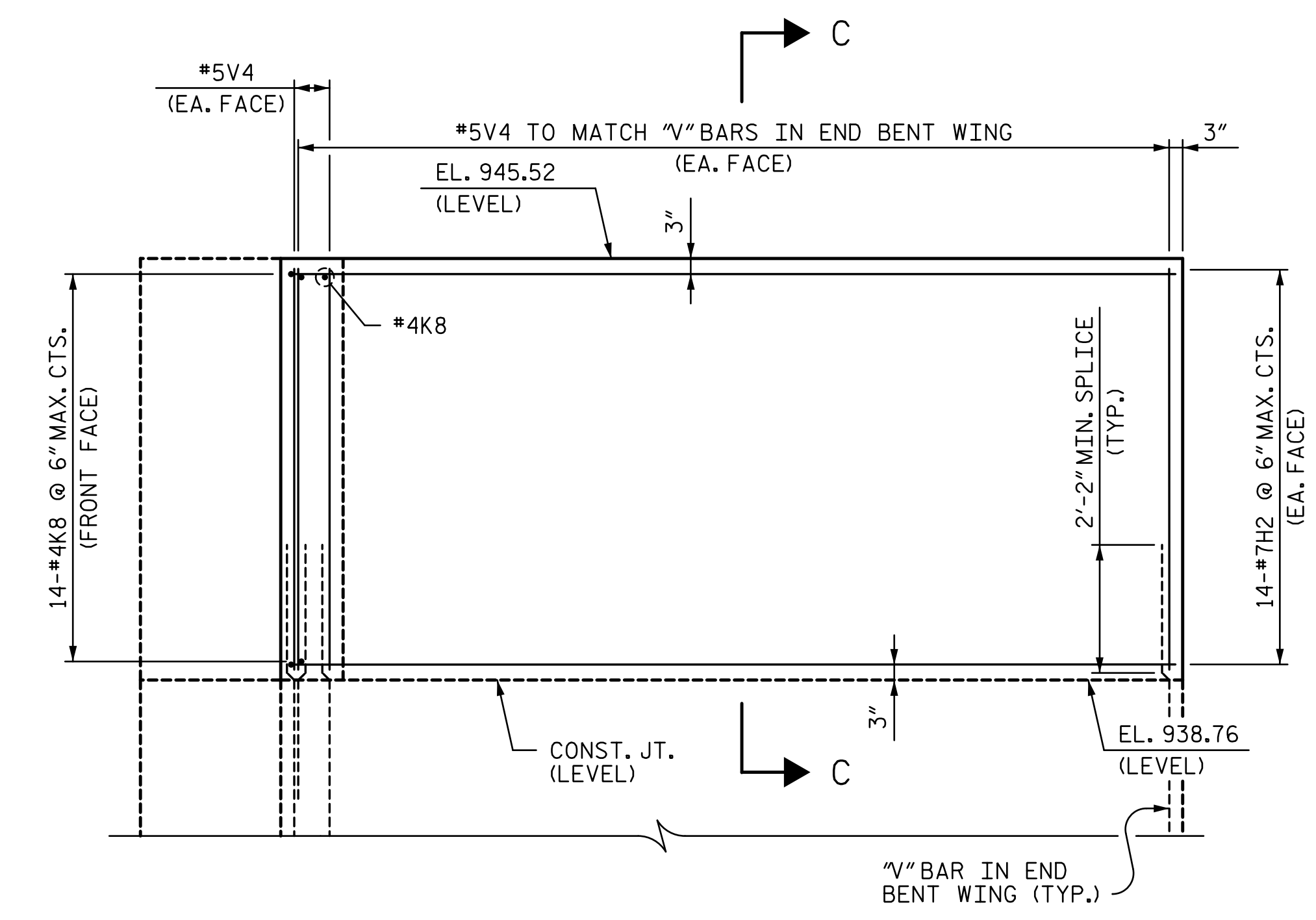
WING WALL PLAN (W4)



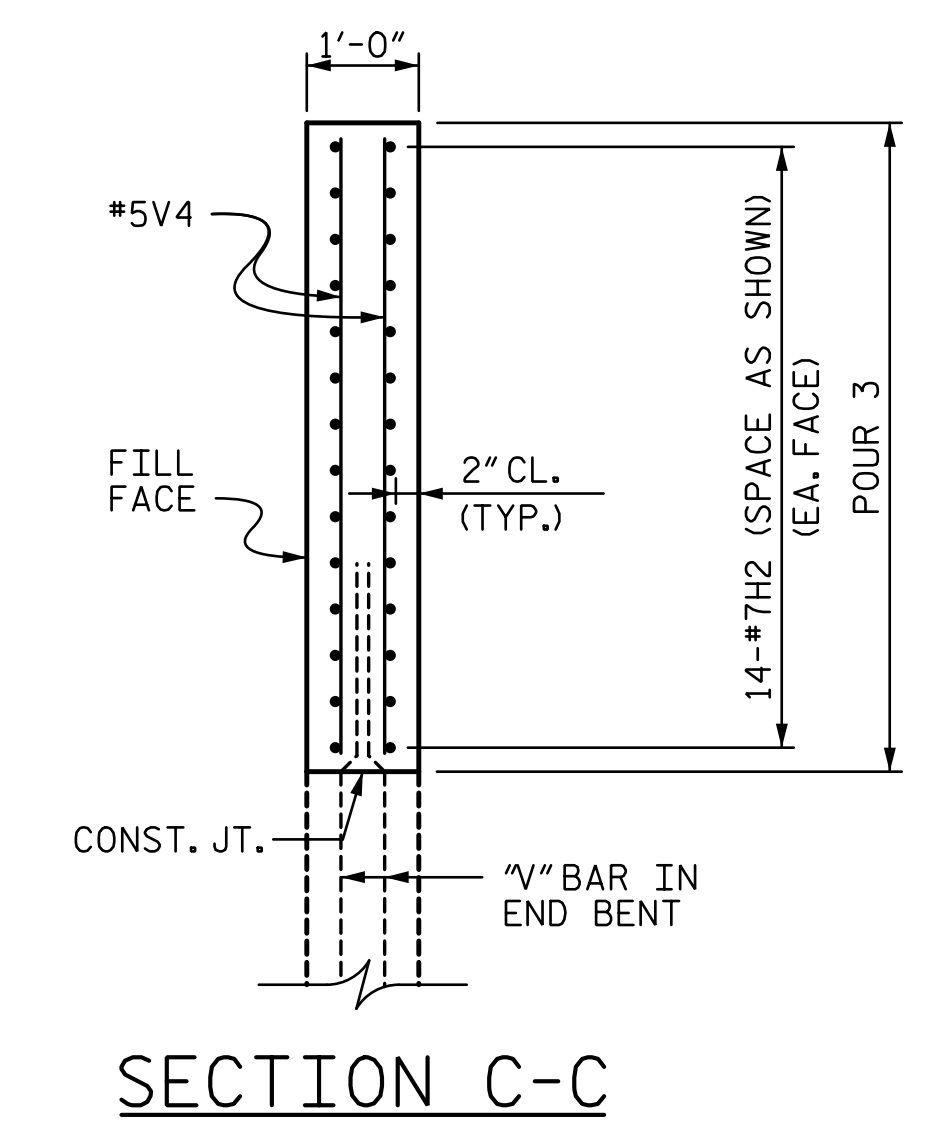
WING WALL ELEVATION (W3)



SECTION B-B



WING WALL ELEVATION (W4)



SECTION C-C

PROJECT NO. R-2707C
CLEVELAND COUNTY
 STATION: 32+31.41 -Y11REV2-
 SHEET 3 OF 3

R:\ustation\411_019_r2707c_smu_posd_2_s11-10.dgn 12:25:39 PM 3/6/2017

DRAWN BY : <u>MBC</u>	DATE : <u>9-16</u>	DESIGN ENGINEER OF RECORD : <u>T. LAWS</u>	DATE : <u>9-16</u>
CHECKED BY : <u>JTG</u>	DATE : <u>9-16</u>		

DOCUMENT NOT CONSIDERED FINAL UNLESS ALL SIGNATURES COMPLETED

DocuSigned by:
Tony R. Laws, Jr.
 3/6/2017

STATE OF NORTH CAROLINA
 DEPARTMENT OF TRANSPORTATION
 RALEIGH

SUPERSTRUCTURE

PLAN OF SPAN DETAILS

REVISIONS			
NO.	BY:	DATE:	DATE:
1			
2			
3			
4			

SHEET NO. S11-10
 TOTAL SHEETS 27

