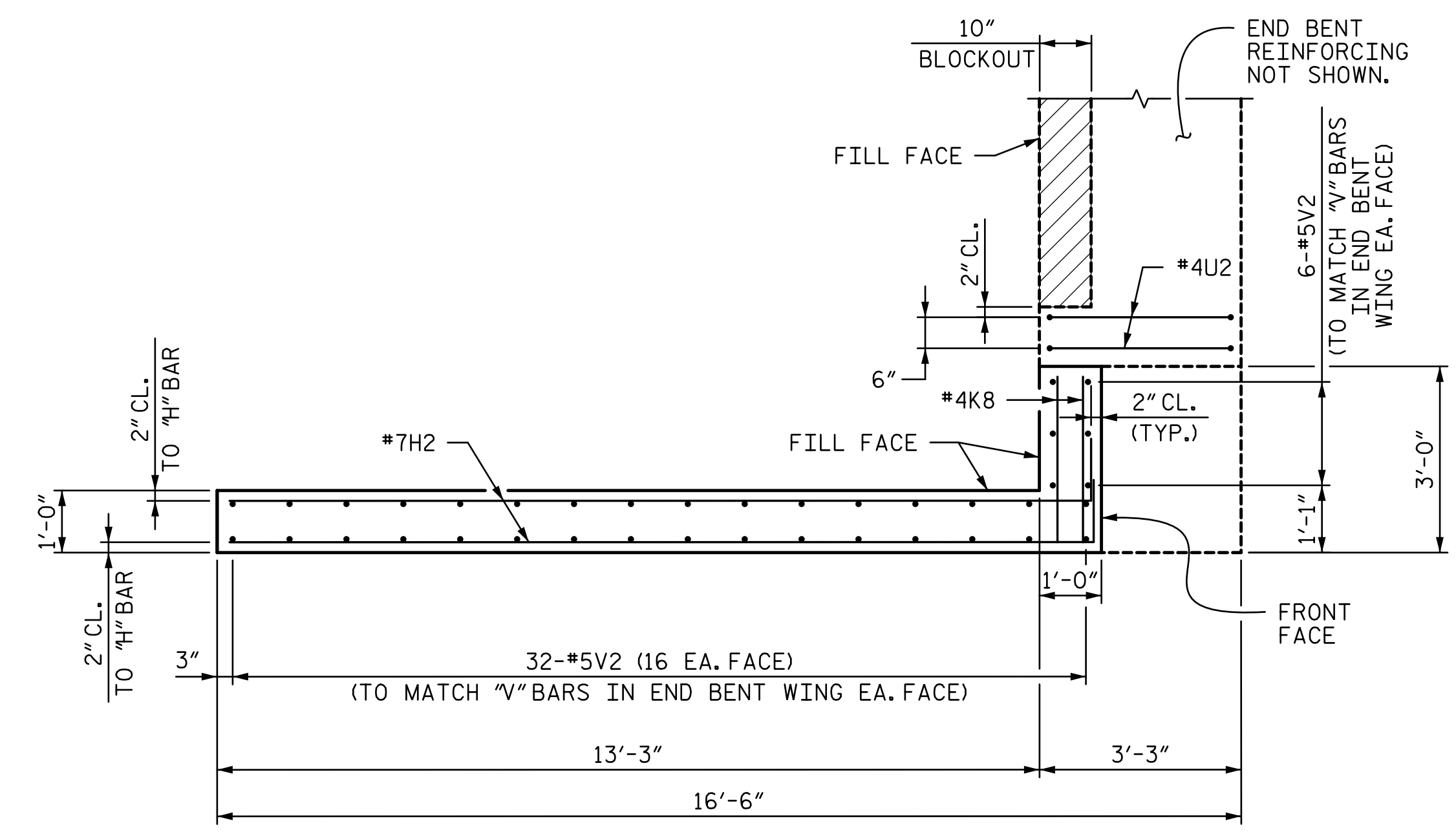
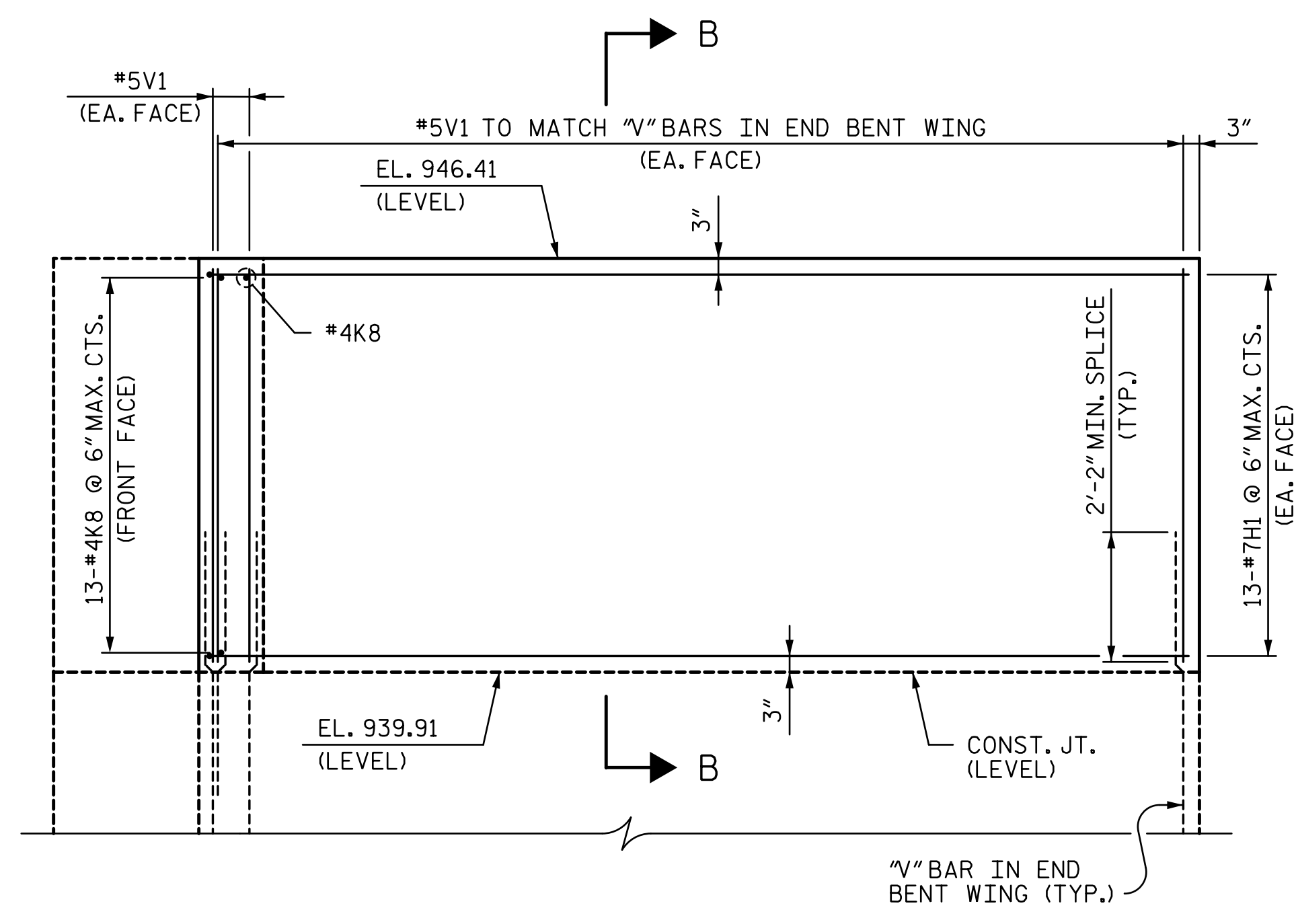


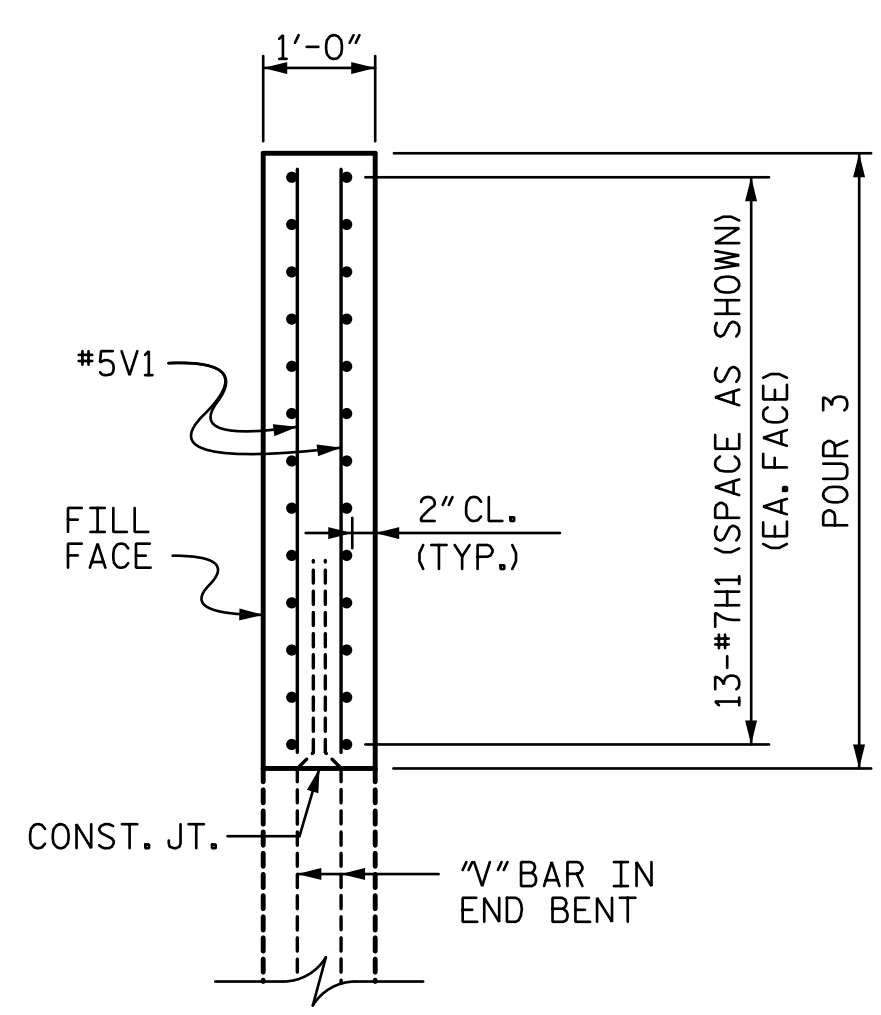
WING WALL PLAN (W1)



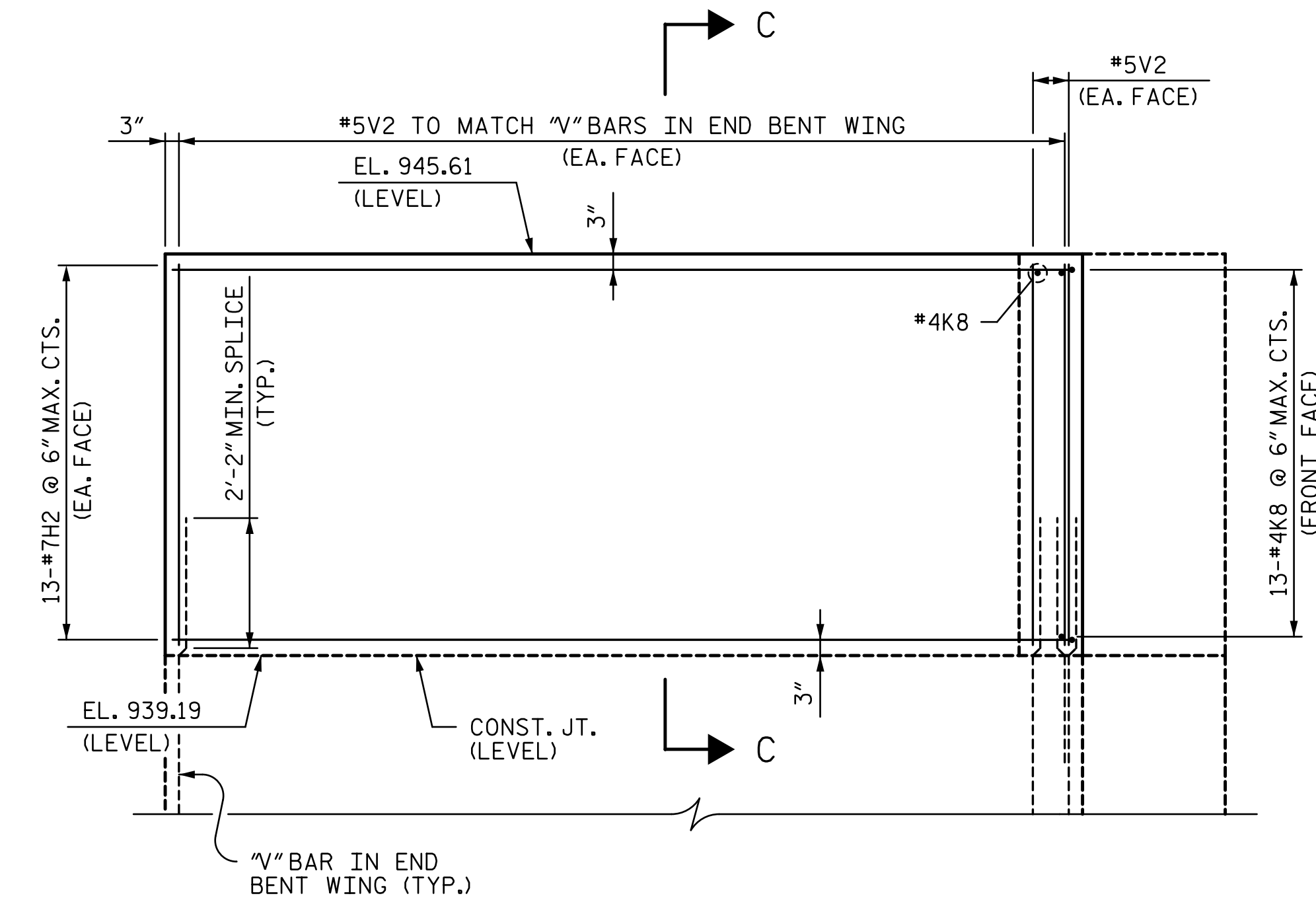
WING WALL PLAN (W2)



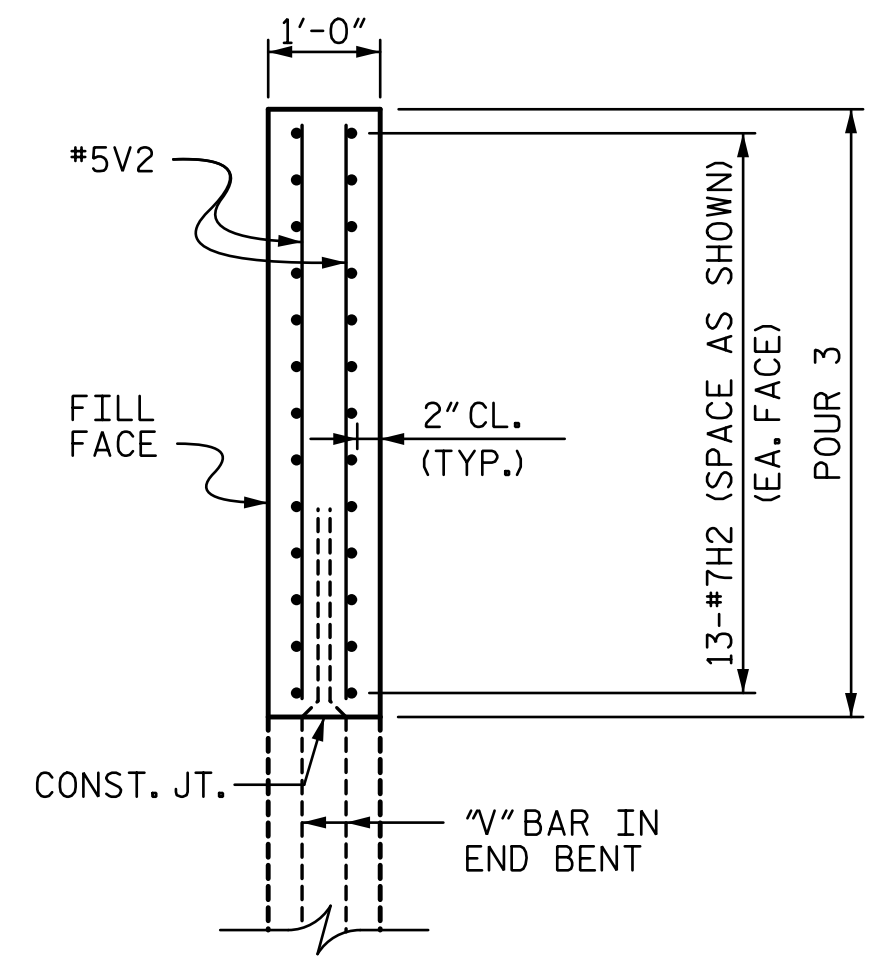
WING WALL ELEVATION (W1)



SECTION B-B



WING WALL ELEVATION (W2)



SECTION C-C

PROJECT NO. R-2707C  
CLEVELAND COUNTY  
 STATION: 32+31.41 -Y11REV2-  
 SHEET 2 OF 3

DOCUMENT NOT CONSIDERED FINAL UNLESS ALL SIGNATURES COMPLETED		STATE OF NORTH CAROLINA DEPARTMENT OF TRANSPORTATION RALEIGH SUPERSTRUCTURE PLAN OF SPAN DETAILS		SHEET NO. S11-09		
	DocuSigned by: Tony R. Laws, Jr. 3/6/2017	STV <sup>100 years</sup> ENGINEERS, INC. 900 West Trade St., Suite 715 Charlotte, NC 28202 NC License Number F-5991		TOTAL SHEETS 27		
	REVISIONS					
NO.	BY:	DATE:	NO.	BY:	DATE:	
1			3			
2			4			

R:\Ustation\411\_017\_R2707C\_SMU\_POSD\_1\_1\_S11-9.dgn 12:25:38 PM 3/6/2017

DRAWN BY : MBC DATE : 9-16  
 CHECKED BY : JTG DATE : 9-16  
 DESIGN ENGINEER OF RECORD: T. LAWS DATE : 9-16