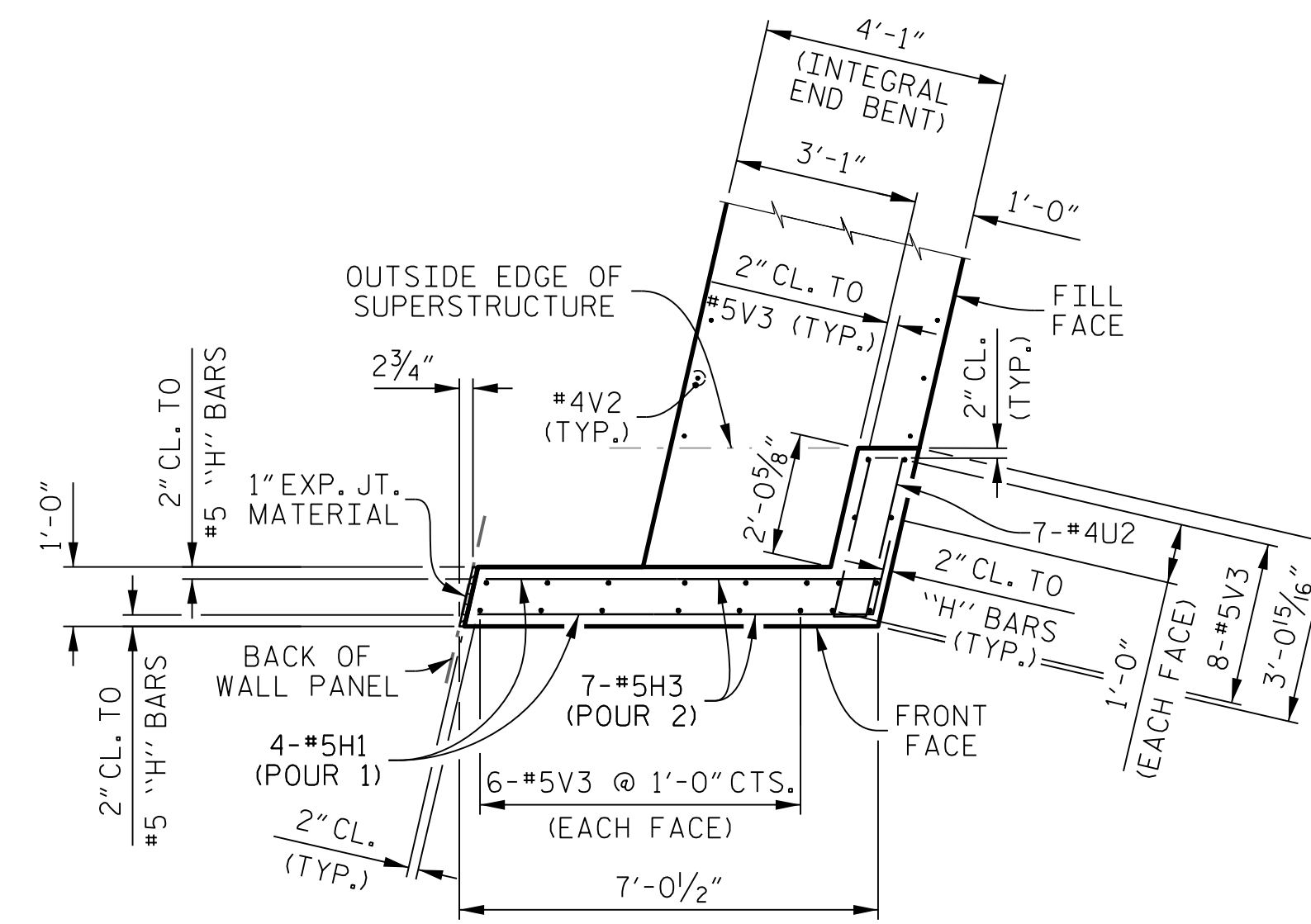
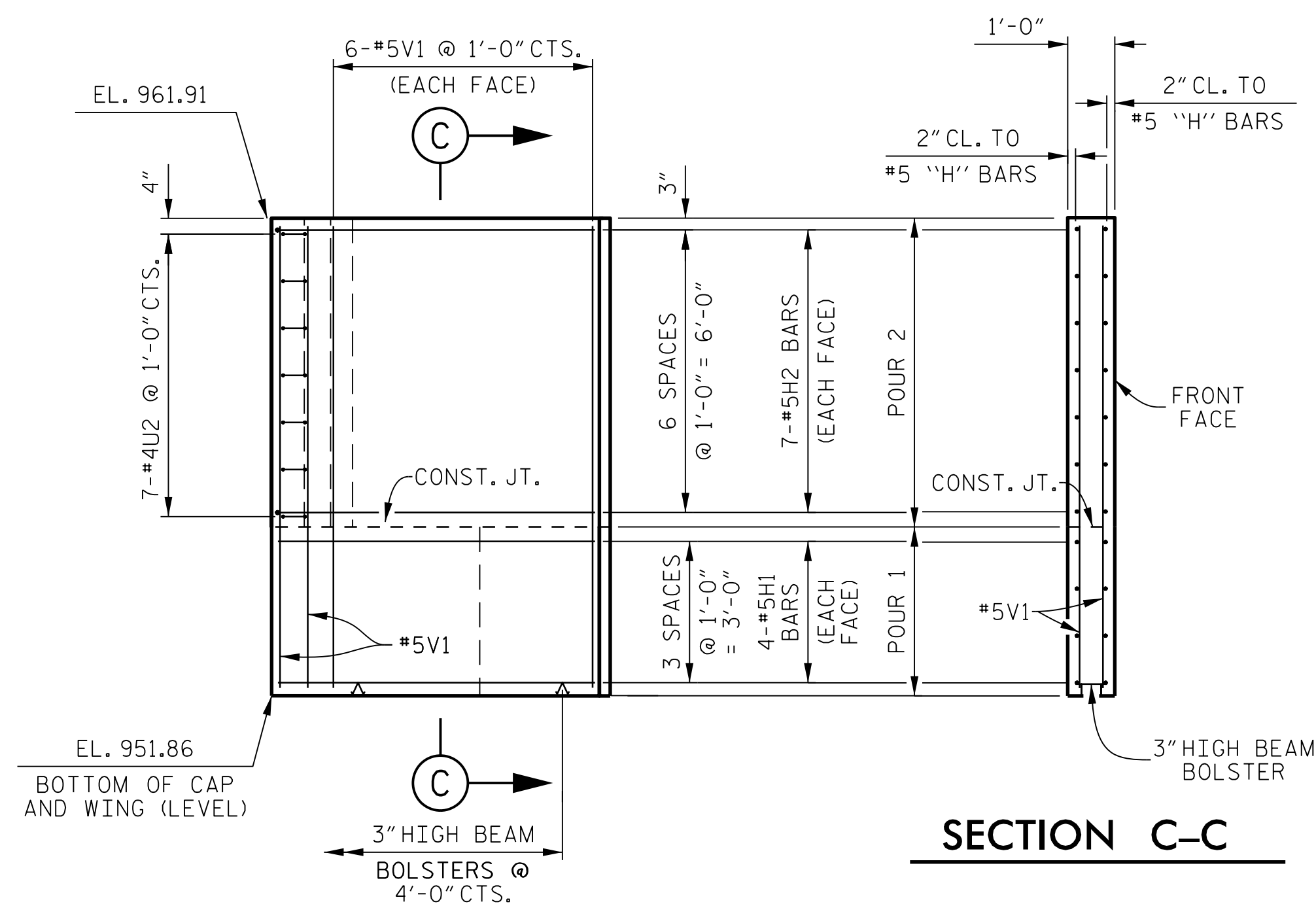


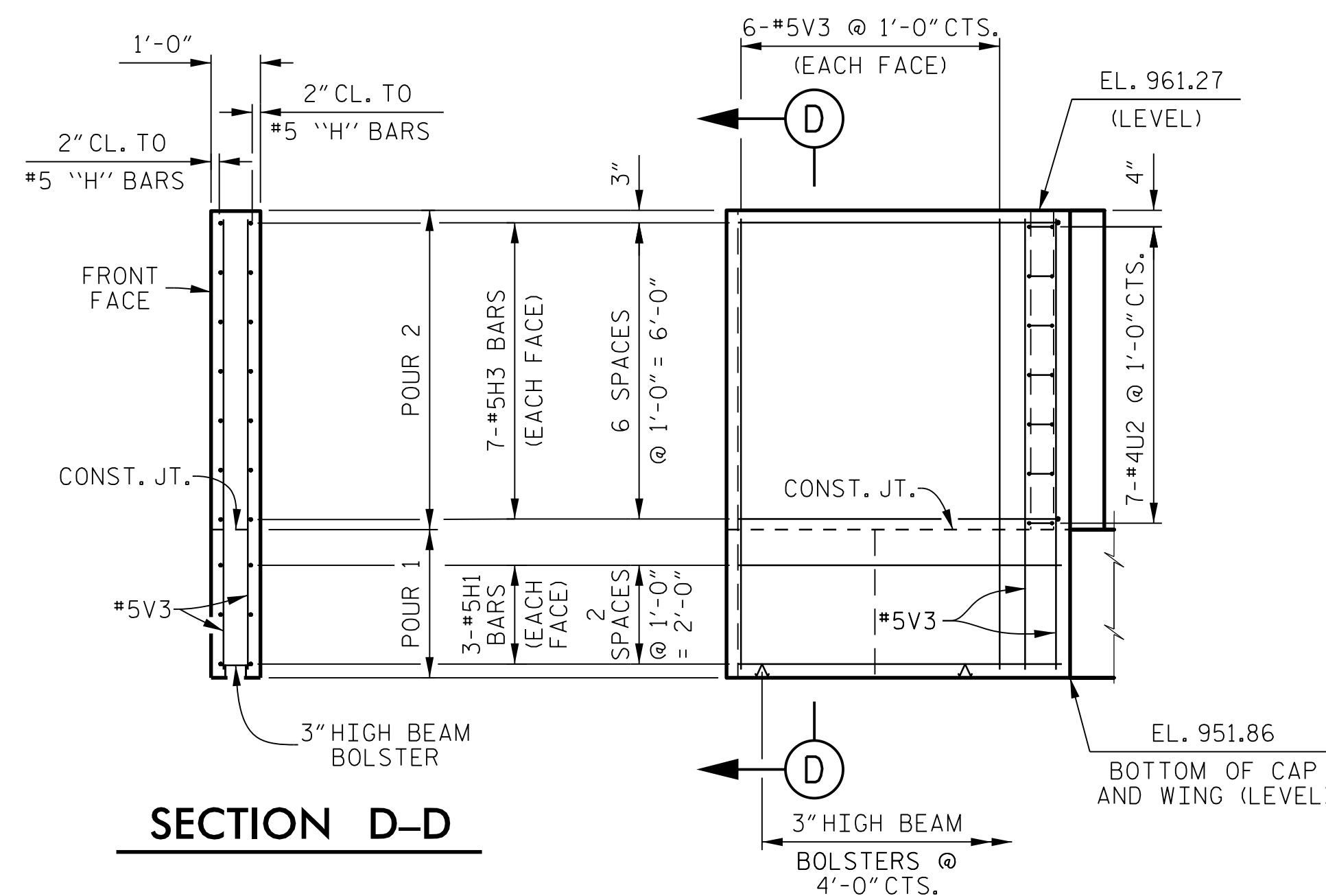
PLAN OF WING W3



PLAN OF WING W4



ELEVATION OF WING W3



ELEVATION OF WING W4

PROJECT NO. R-2707C
CLEVELAND COUNTY
 STATION: 611+32.01 -L-

SHEET 2 OF 3

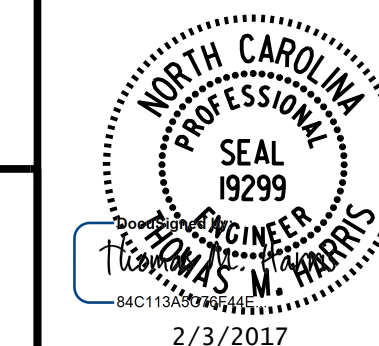
STATE OF NORTH CAROLINA
 DEPARTMENT OF TRANSPORTATION
 RALEIGH

SUBSTRUCTURE
 END BENT 2
 (RIGHT LANE)

REVISIONS			SHEET No.		
No.	BY:	DATE:	No.	BY:	DATE:
1			3		
2			4		

STR. #10

DOCUMENT NOT CONSIDERED FINAL
 UNLESS ALL SIGNATURES COMPLETED



PLANS PREPARED BY:
PARSONS
 5540 CenterView Drive, Suite 217
 Raleigh, NC 27606-3386
 NC LICENSE No. F-0246

DRAWN BY: K. E. LOFTON DATE: 10-16
 CHECKED BY: A. D. SHAH DATE: 10-16
 DESIGN ENGINEER: T. M. HARRIS DATE: 10-16

FILE: j:\2707c_struct\substructures\plans - smc_final\410_041_R2707C_smc_0822_510-21.dgn
 DATE: 2/2/2017 3:52:12 PM