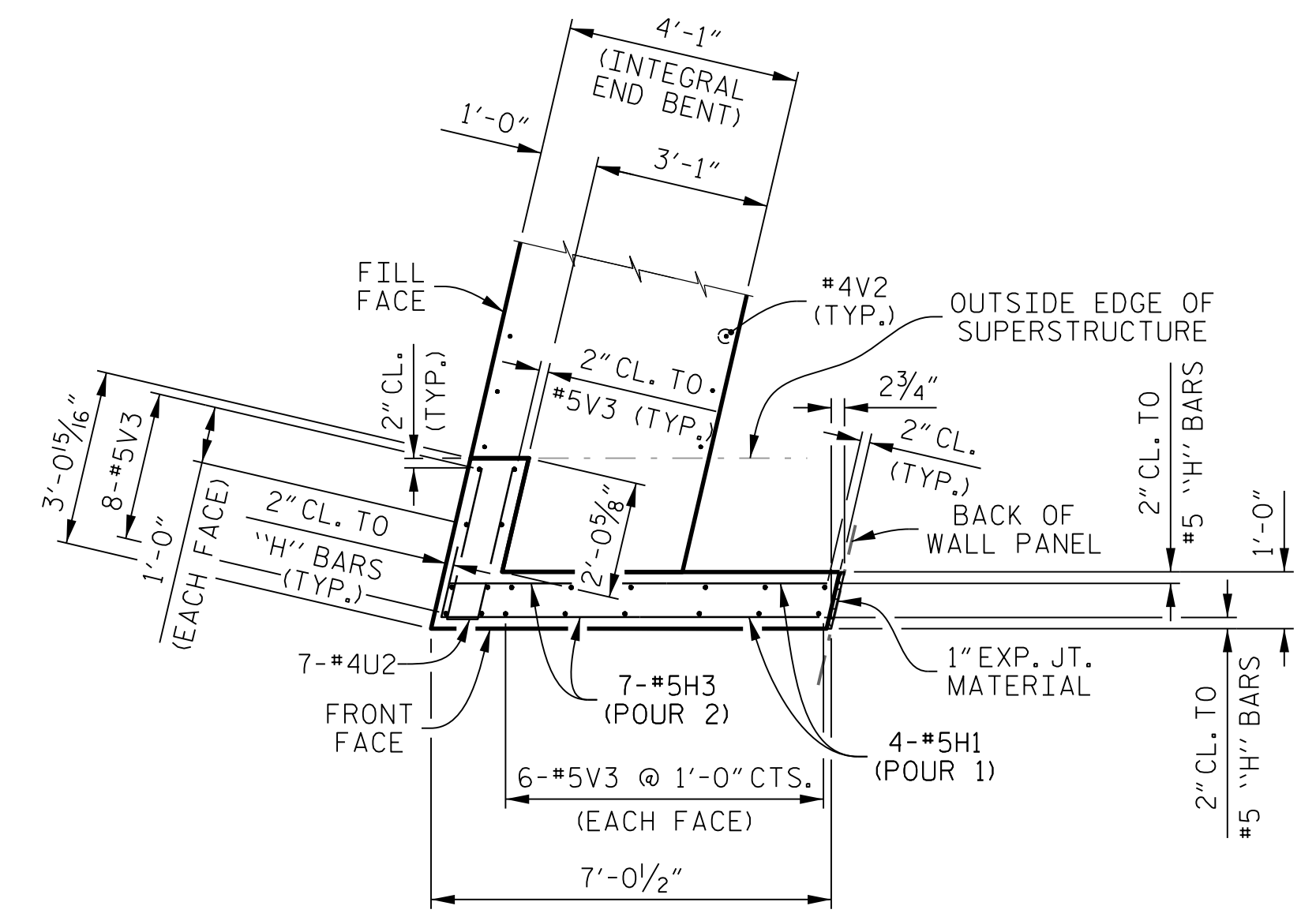
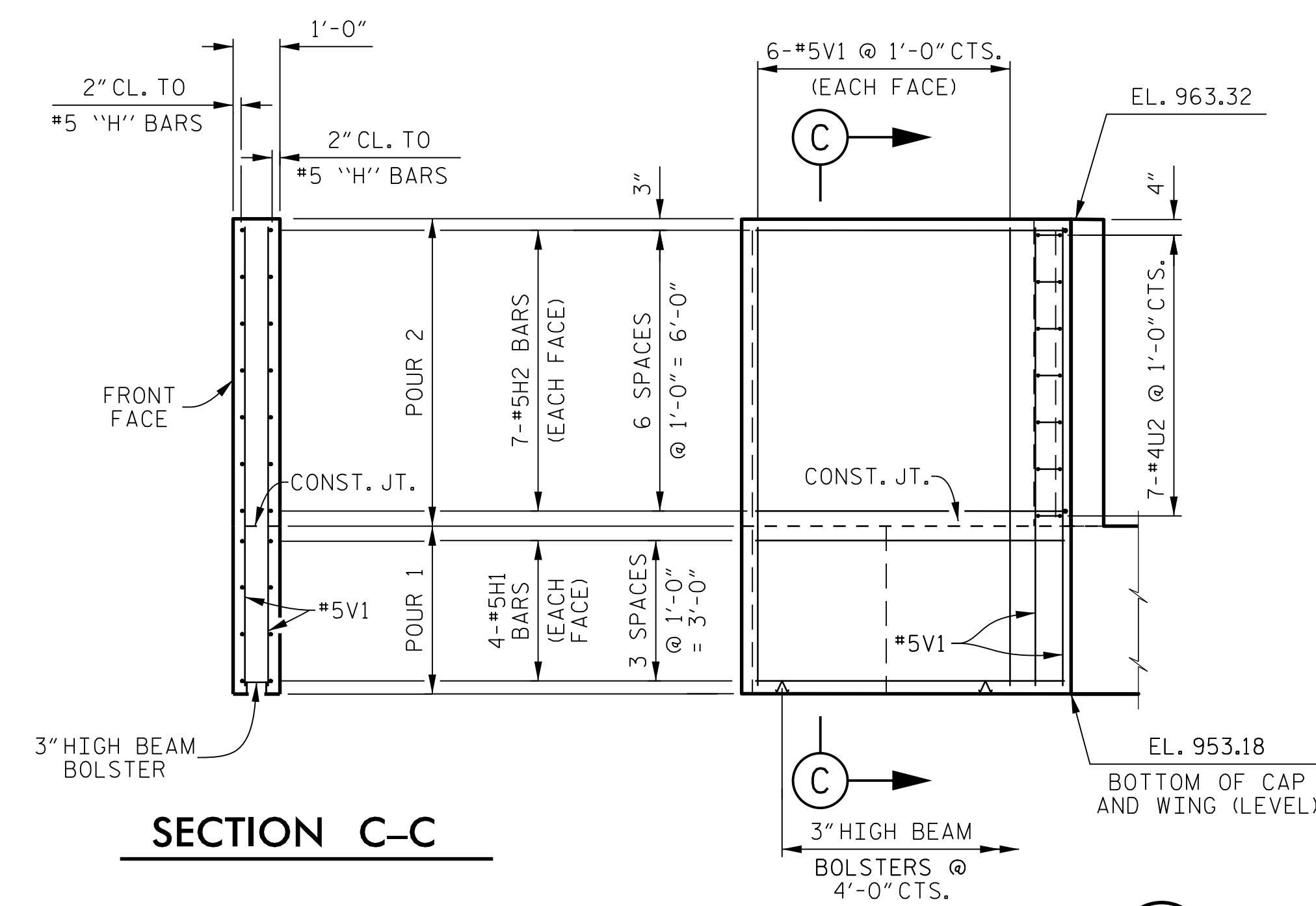


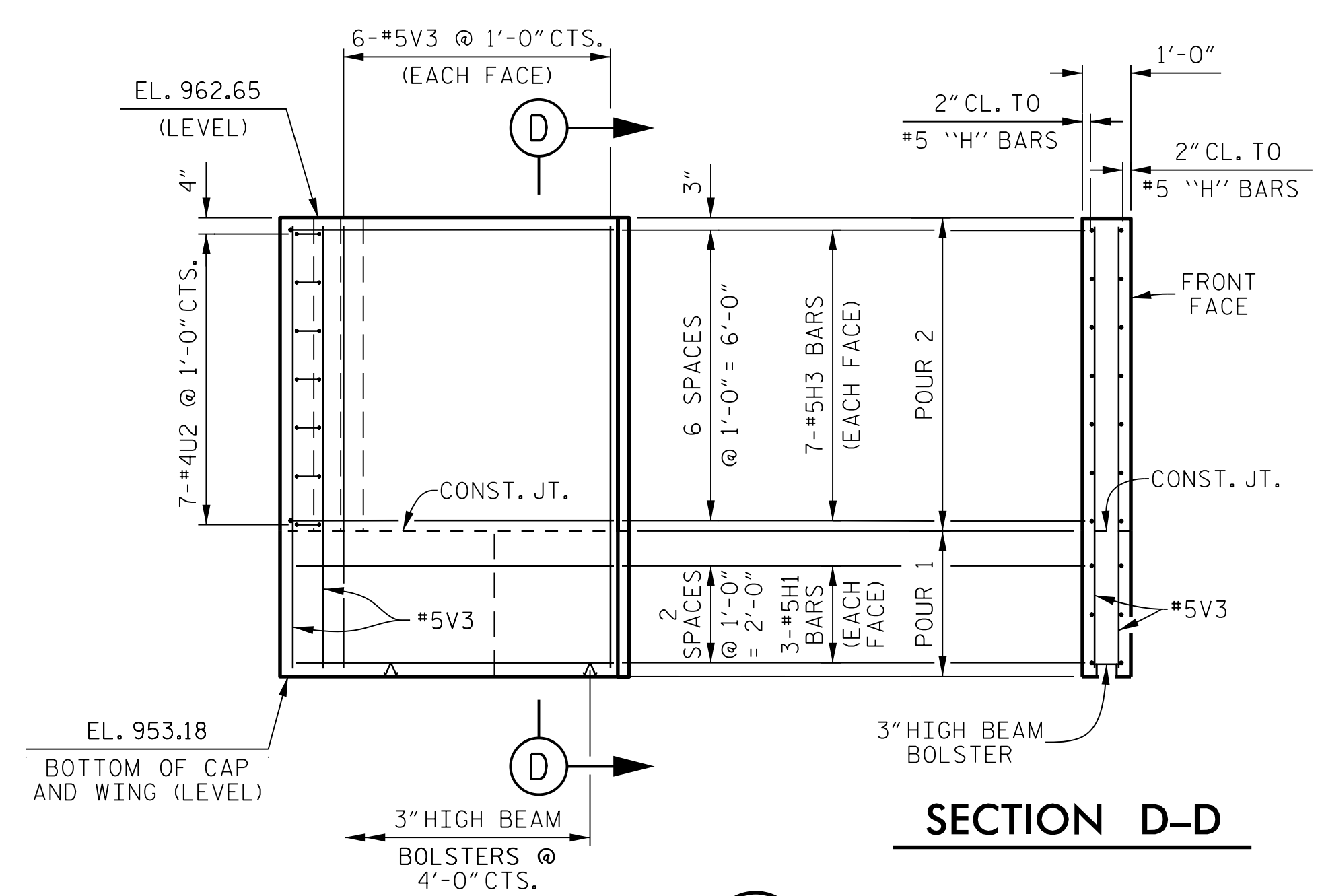
PLAN OF WING (W1)



PLAN OF WING (W2)



ELEVATION OF WING (W1)



ELEVATION OF WING (W2)

PROJECT NO. R-2707C  
CLEVELAND COUNTY  
 STATION: 611+32.01 -L-

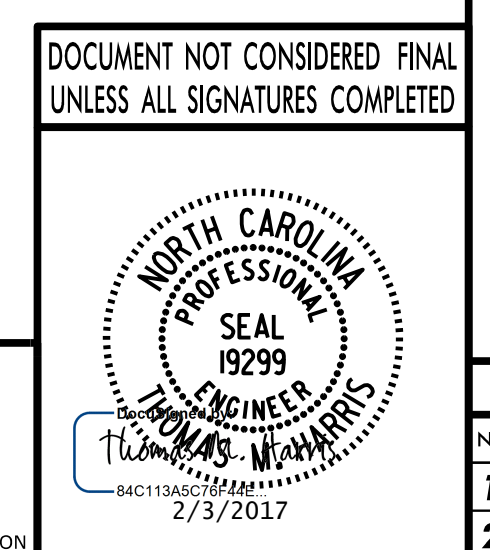
SHEET 2 OF 3

STATE OF NORTH CAROLINA  
 DEPARTMENT OF TRANSPORTATION  
 RALEIGH

**SUBSTRUCTURE  
 END BENT 1  
 (RIGHT LANE)**

REVISIONS			SHEET No.		
No.	BY:	DATE:	No.	BY:	DATE:
1			3		
2			4		

TOTAL SHEETS: 25



PLANS PREPARED BY:  
**PARSONS**  
 5540 CenterView Drive, Suite 217  
 Raleigh, NC 27606-3386  
 NC LICENSE No. F-0246  
 FOR NORTH CAROLINA DEPARTMENT OF TRANSPORTATION

DRAWN BY :	K. E. LOFTON	DATE :	10-16
CHECKED BY :	A. D. SHAH	DATE :	10-16
DESIGN ENGINEER :	T. M. HARRIS	DATE :	10-16

FILE: j:\2707c\structures\workbooks\plans - smc\_final\410\_035\_R2707C\_smc\_eb12\_510-18.dgn  
 DATE: 10/20/17 12:48:29 PM