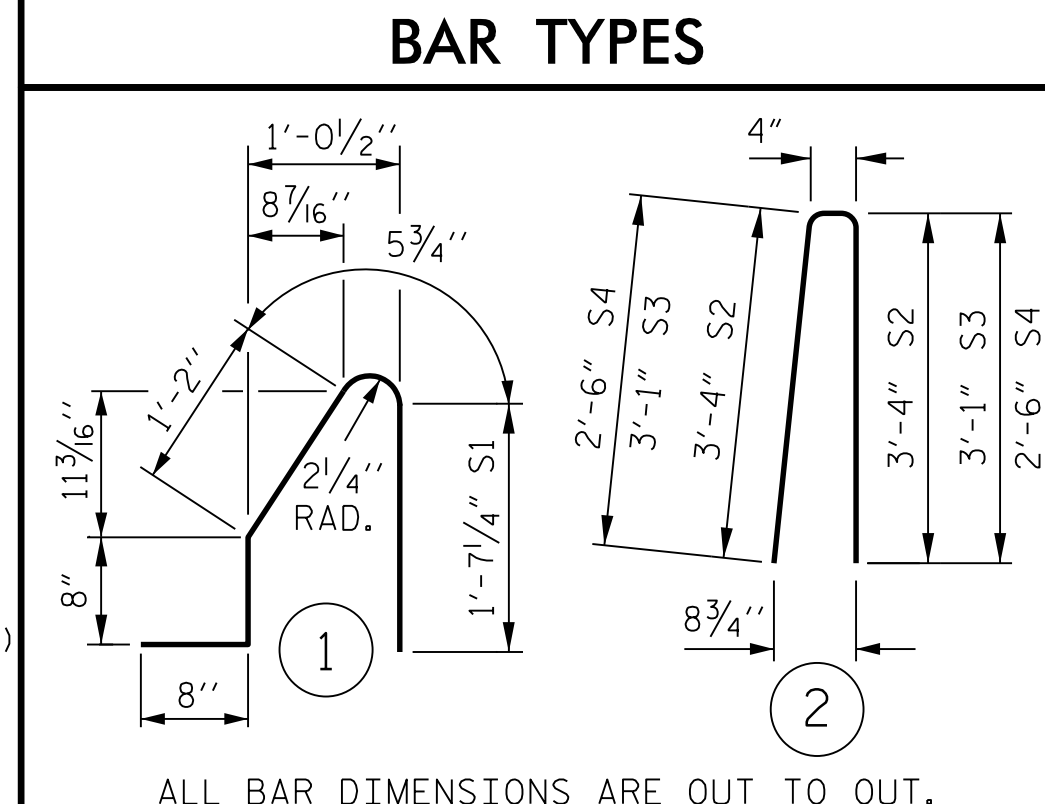


SPLICE LENGTH		
BAR	SIZE	LENGTH
B1	#5	3'-5"

**PLAN OF BARRIER RAIL**



**BILL OF MATERIAL**

FOR CONCRETE BARRIER RAIL ONLY					
BAR No.	SIZE	TYPE	LENGTH	WEIGHT	
* B1	88	#5	STR 12'-10"	1,178	
* B2	44	#5	STR 22'- 1"	1,013	
* S1	180	#5	1 4'- 7"	860	
* S2	172	#5	2 7'- 0"	1,256	
* S3	4	#5	2 6'- 6"	27	
* S4	4	#5	2 5'- 4"	22	
* EPOXY COATED REINFORCING STEEL				4,356	LBS.
CLASS "AA" CONCRETE				24.5	CU. YDS.
CONCRETE BARRIER RAIL 180.58 LIN. FT.					

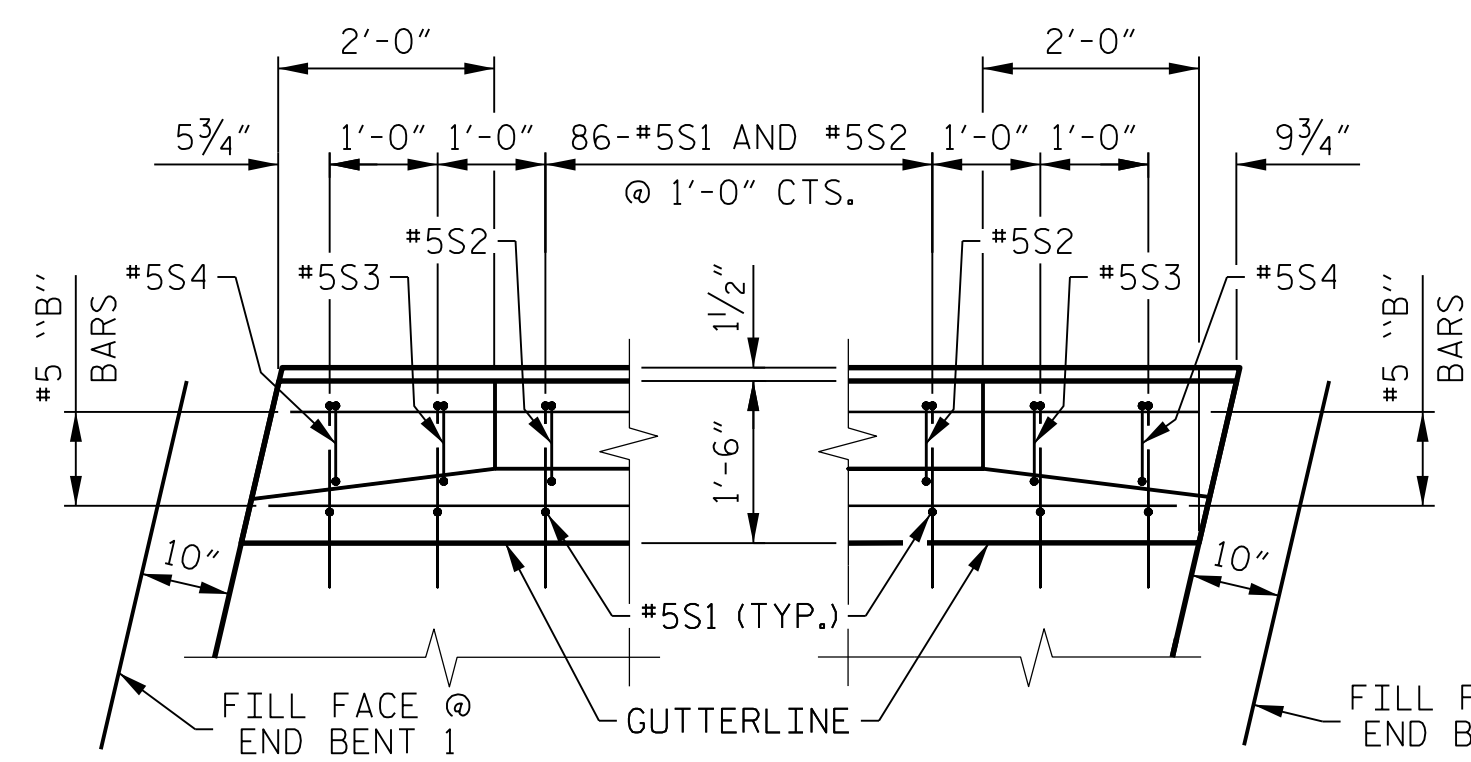
**NOTES**

THE BARRIER RAIL IN SPAN "A" SHALL NOT BE CAST UNTIL ALL SLAB CONCRETE IN THE SPAN HAS BEEN CAST AND HAS REACHED A MINIMUM COMPRESSIVE STRENGTH OF 3,000 PSI.

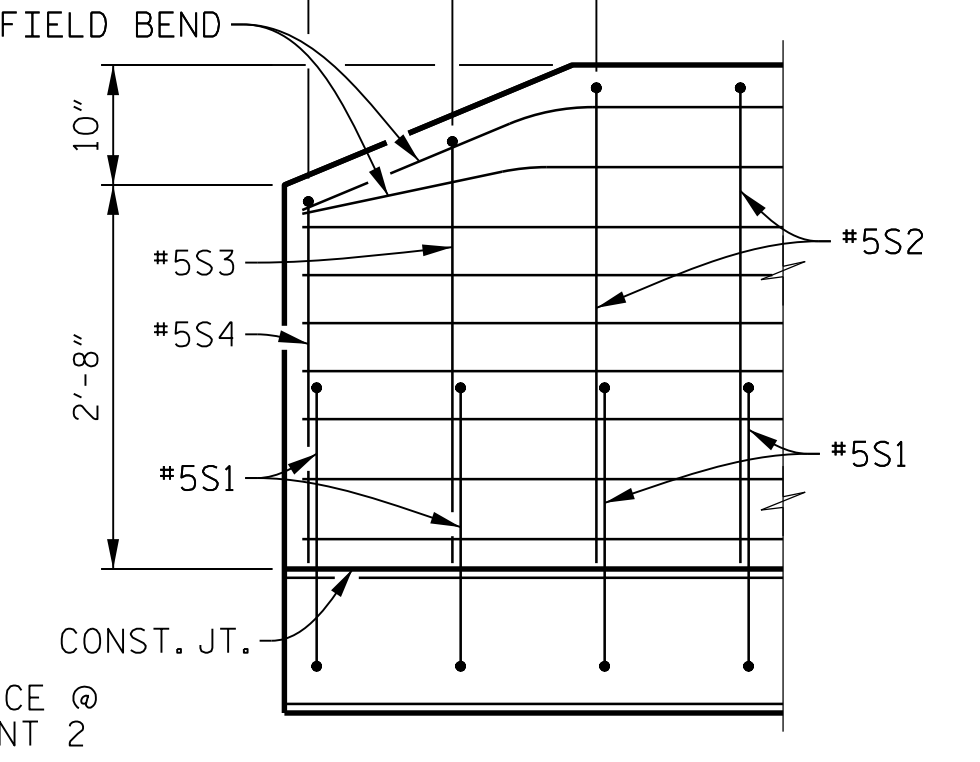
ALL REINFORCING STEEL IN BARRIER RAILS SHALL BE EPOXY COATED.

GROOVED CONTRACTION JOINTS, 1/2" IN DEPTH, SHALL BE TOOLED IN ALL EXPOSED FACES OF THE BARRIER RAIL AND IN ACCORDANCE WITH ARTICLE 825-10(B) OF THE STANDARD SPECIFICATIONS. THE CONTRACTION JOINT SHALL BE LOCATED AT EACH THIRD POINT BETWEEN BARRIER RAIL EXPANSION JOINTS. ONLY ONE CONTRACTION JOINT IS REQUIRED AT MIDPOINT OF BARRIER RAIL SEGMENTS LESS THAN 20 FEET IN LENGTH AND NO CONTRACTION JOINTS ARE REQUIRED FOR THOSE SEGMENTS LESS THAN 10 FEET IN LENGTH.

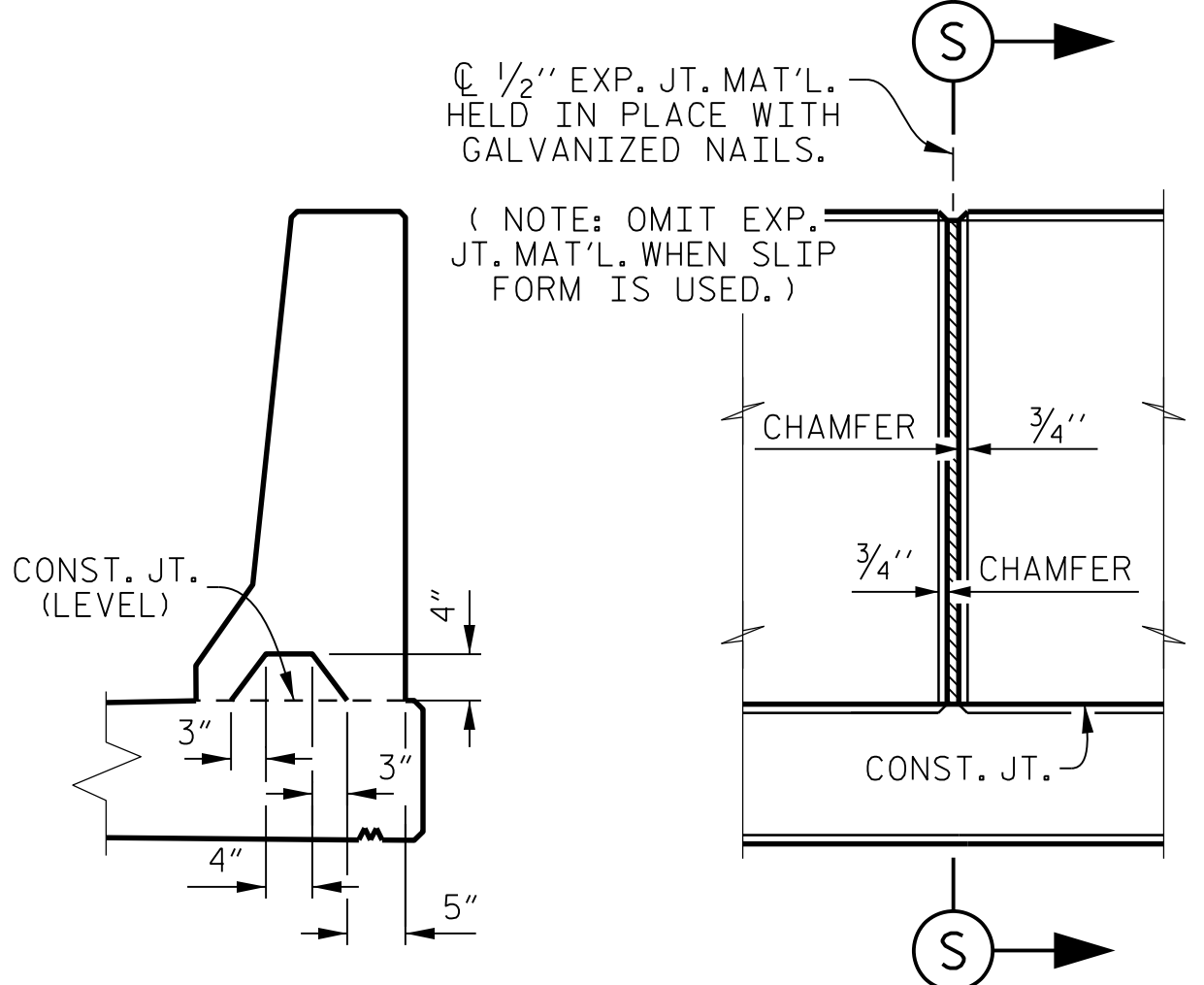
THE #5S1 AND #5S2 BARS MAY BE SHIFTED AS NECESSARY TO CLEAR EXPANSION JOINTS IN RAIL.



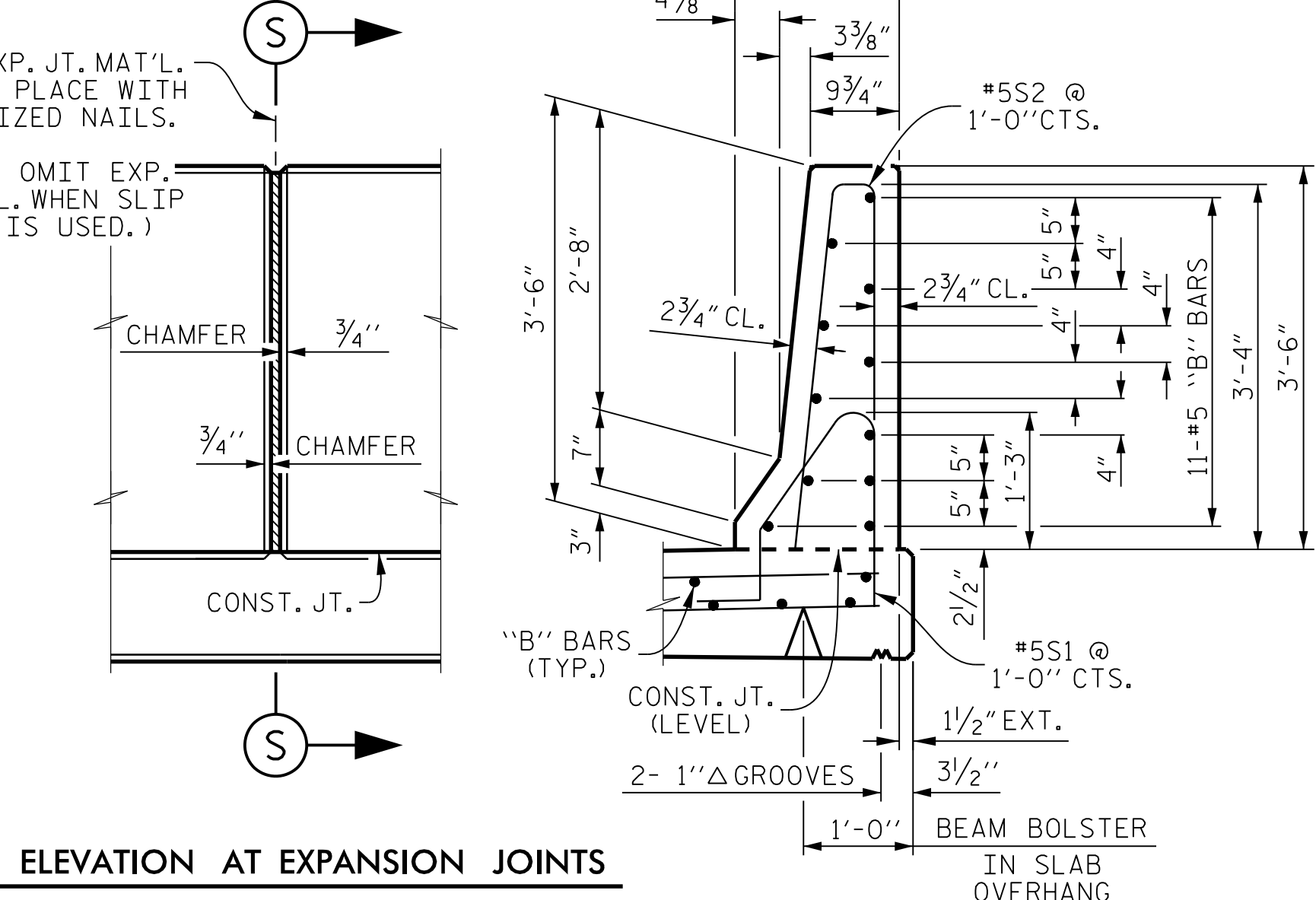
**END OF RAIL DETAILS**



**ELEVATION VIEW**



**SECTION S-S**  
AT DAM IN OPEN JOINT (THIS IS TO BE USED ONLY WHEN SLIP FORM IS USED)



**ELEVATION AT EXPANSION JOINTS**

**SECTION THRU RAIL**

ASSEMBLED BY :	K. E. LOFTON	DATE :	10-16
CHECKED BY :	A. D. SHAH	DATE :	10-16
DRAWN BY :	ARB 5/87	REV. 10/1/11	MAA/GM
CHECKED BY :	SJD 9/87	REV. 7/12	MAA/GM
		REV. 6/13	MAA/GM

DRAWN BY :	K. E. LOFTON	DATE :	10-16
CHECKED BY :	A. D. SHAH	DATE :	10-16
DESIGN ENGINEER :	T. M. HARRIS	DATE :	10-16

PLANS PREPARED BY :  
**PARSONS**  
5540 CenterView Drive, Suite 217  
Raleigh, NC 27606-3386  
NC LICENSE No. F-0246  
FOR NORTH CAROLINA DEPARTMENT OF TRANSPORTATION

DOCUMENT NOT CONSIDERED FINAL UNLESS ALL SIGNATURES COMPLETED

PROJECT NO. **R-2707C**  
**CLEVELAND COUNTY**  
STATION: **611+32.01 -L-**

STATE OF NORTH CAROLINA DEPARTMENT OF TRANSPORTATION RALEIGH					
STANDARD <b>CONCRETE BARRIER RAIL (RIGHT LANE)</b>					
REVISIONS					
No.	BY:	DATE:	No.	BY:	DATE:
1			3		
2			4		
SHEET No. <b>ST10-14</b>					TOTAL SHEETS <b>25</b>