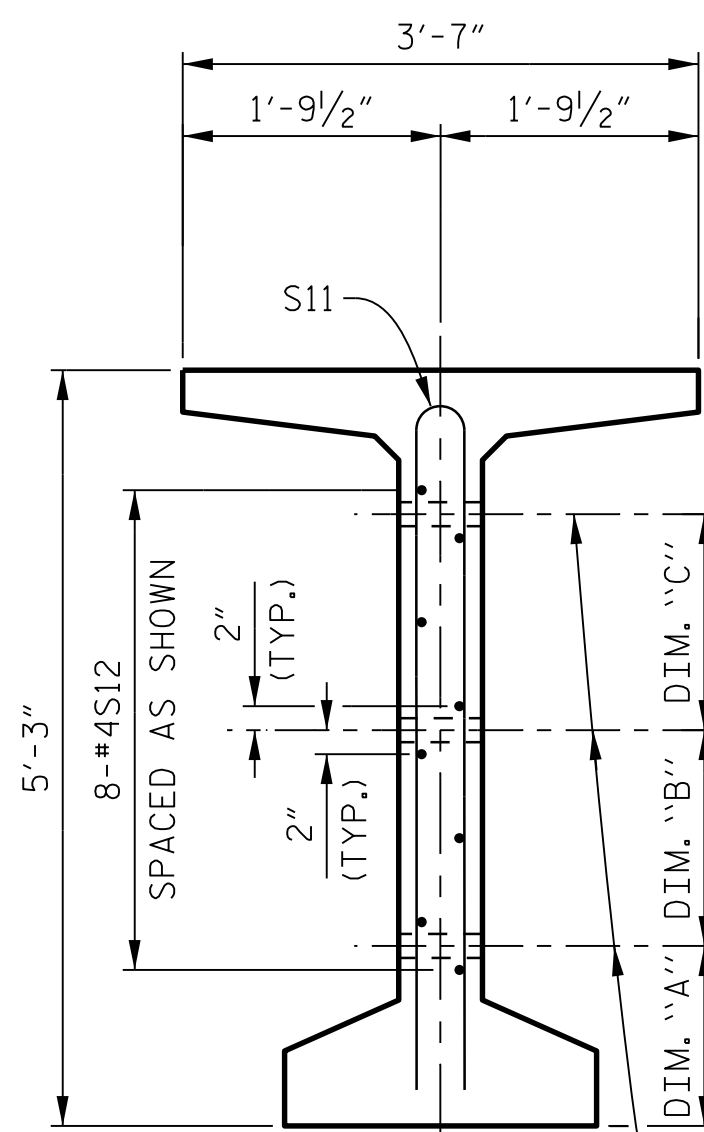


SECTION A-A

* FOR S7 BAR SPACING, SEE
DETAIL "C", SHEET 3 OF 3.

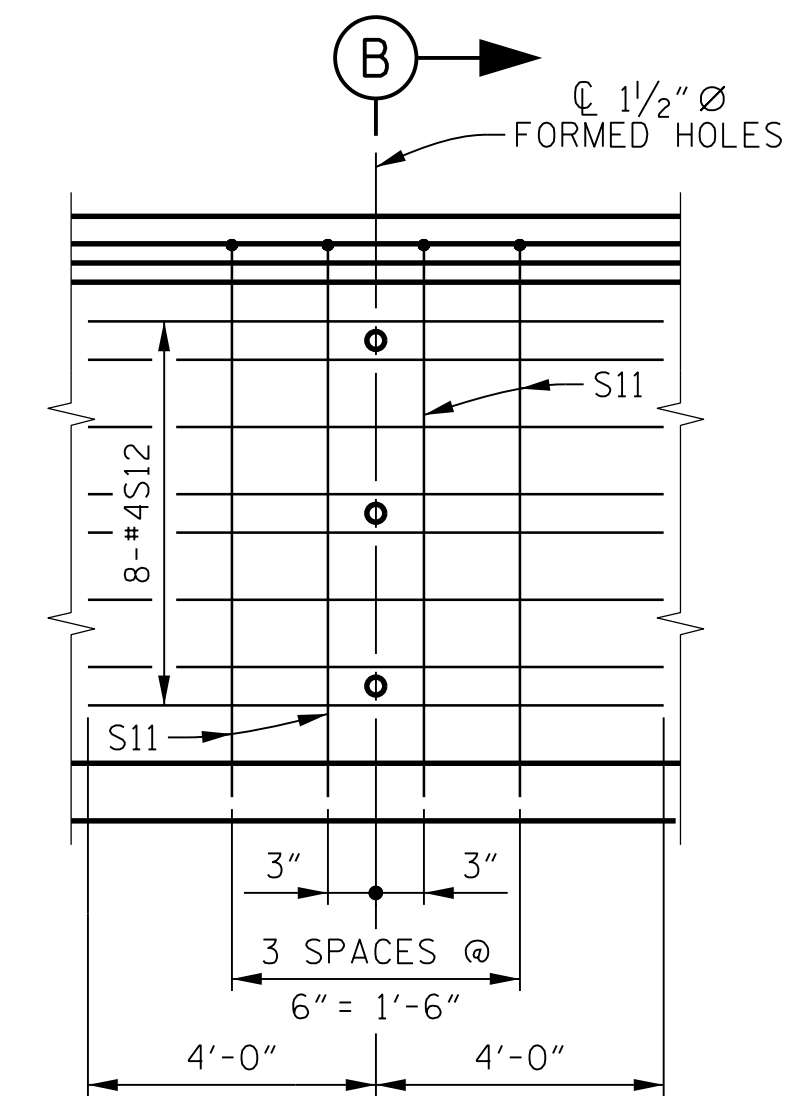


SECTION B-B

(S1, S6 AND S9 BARS NOT SHOWN)

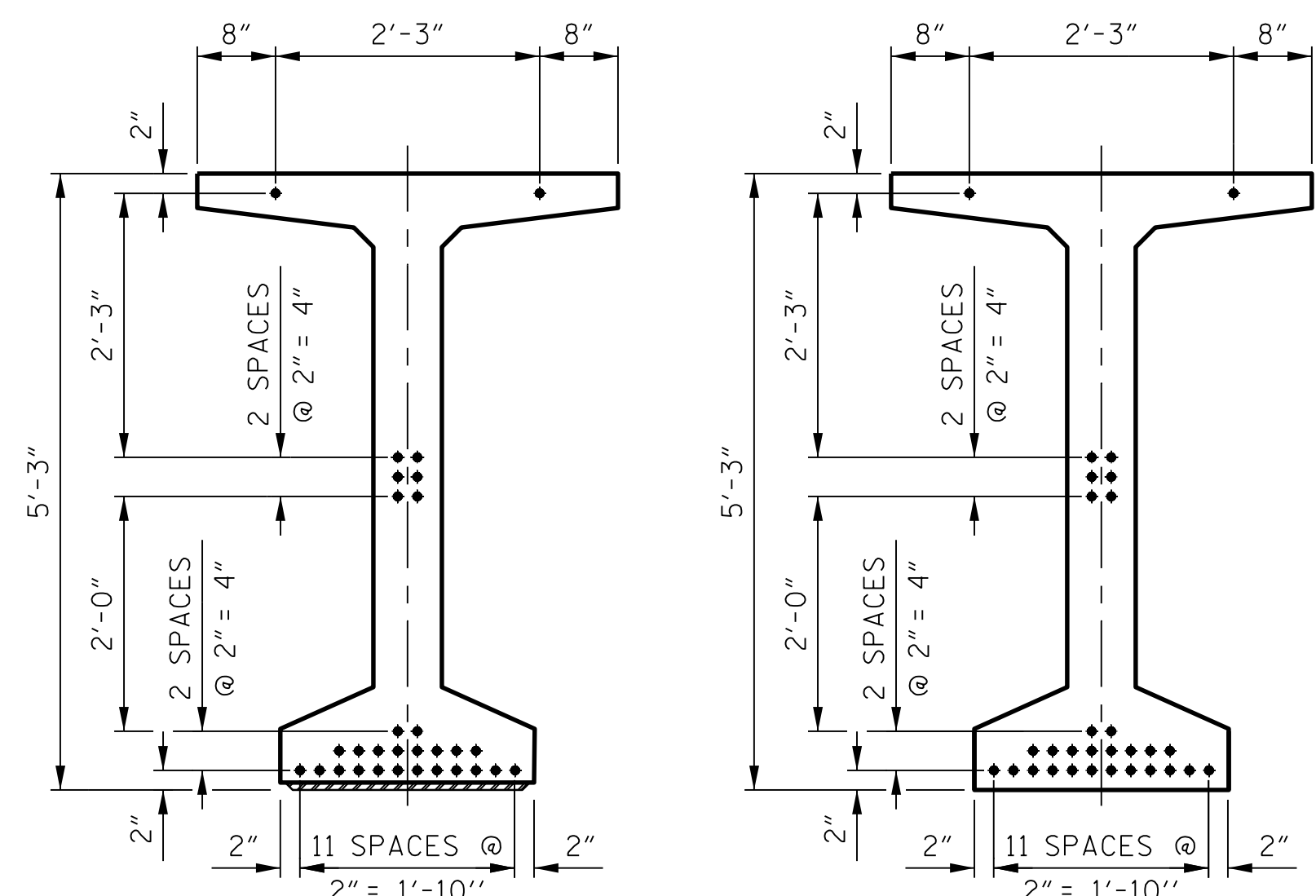
TABLE			
GIRDER TYPE	DIM "A"	DIM "B"	DIM "C"
63" BULB TEE	1'-9"	1'-5"	11 3/4"

Ø 1 1/2" Ø FORMED HOLE, FOR
LOCATION SEE ELEVATION,
SHEET 1 OF 3.



PARTIAL ELEVATION

SHOWING INTERMEDIATE
DIAPHRAGM REINFORCING
STEEL FOR ALL GIRDERS



30 - 0.6" Ø LOW RELAXATION STRAND LAYOUT

• FULLY BONDED STRANDS

PROJECT NO. R-2707C
CLEVELAND COUNTY
STATION: 611+32.01 -L-

SHEET 2 OF 3

STATE OF NORTH CAROLINA
DEPARTMENT OF TRANSPORTATION
RALEIGH

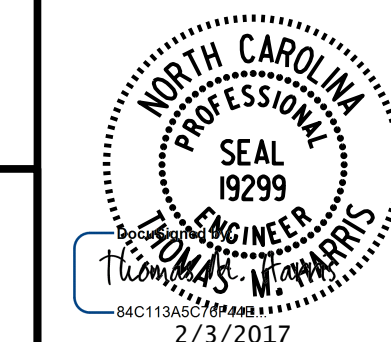
STANDARD

**63" PRESTRESSED CONCRETE
MODIFIED BULB TEE GIRDER**

(RIGHT LANE)

REVISIONS						SHEET No.
No.	BY:	DATE:	No.	BY:	DATE:	TOTAL SHEETS
1			3			25
2			4			

DOCUMENT NOT CONSIDERED FINAL
UNLESS ALL SIGNATURES COMPLETED



PLANS PREPARED BY:
PARSONS
5540 CenterView Drive, Suite 217
Raleigh, NC 27606-3386
NC LICENSE No. F-0246
FOR NORTH CAROLINA DEPARTMENT OF TRANSPORTATION

DRAWN BY : K. E. LOFTON DATE : 10-16
CHECKED BY : A. D. SHAH DATE : 10-16
DESIGN ENGINEER : T. M. HARRIS DATE : 10-16

ASSEMBLED BY : K. E. LOFTON DATE : 10-16
CHECKED BY : A. D. SHAH DATE : 10-16
DRAWN BY : EEM 2/6/97 REV. 10/1/11 MAA/GM
CHECKED BY : VAP 2/6/97 REV. 6/13 MAA/GM
DATE: 10/20/17 REV. 1/15 MAA/TMC

FILE: j:\2707c_struct\sheet\structures\plans - smc_final\410_019_R2707C_smc_ppt_510-10.dgn
DATE: 10/20/17 12:48:17 PM