

BILL OF MATERIAL

**APPROACH SLAB AT
END BENT 1 OR END BENT 2**

BAR No.	SIZE	TYPE	LENGTH	WEIGHT
*A1	52	#4	STR 22'-1"	767
A2	52	#4	STR 21'-11"	761
*B1	83	#5	STR 24'-2"	2,092
B2	83	#6	STR 24'-8"	3,075
REINFORCING STEEL				3,836 LBS.
*EPOXY COATED REINFORCING STEEL				2,859 LBS.
CLASS "AA" CONCRETE				44.5 CU. YDS.
(2 APPROACH SLABS REQUIRED)				

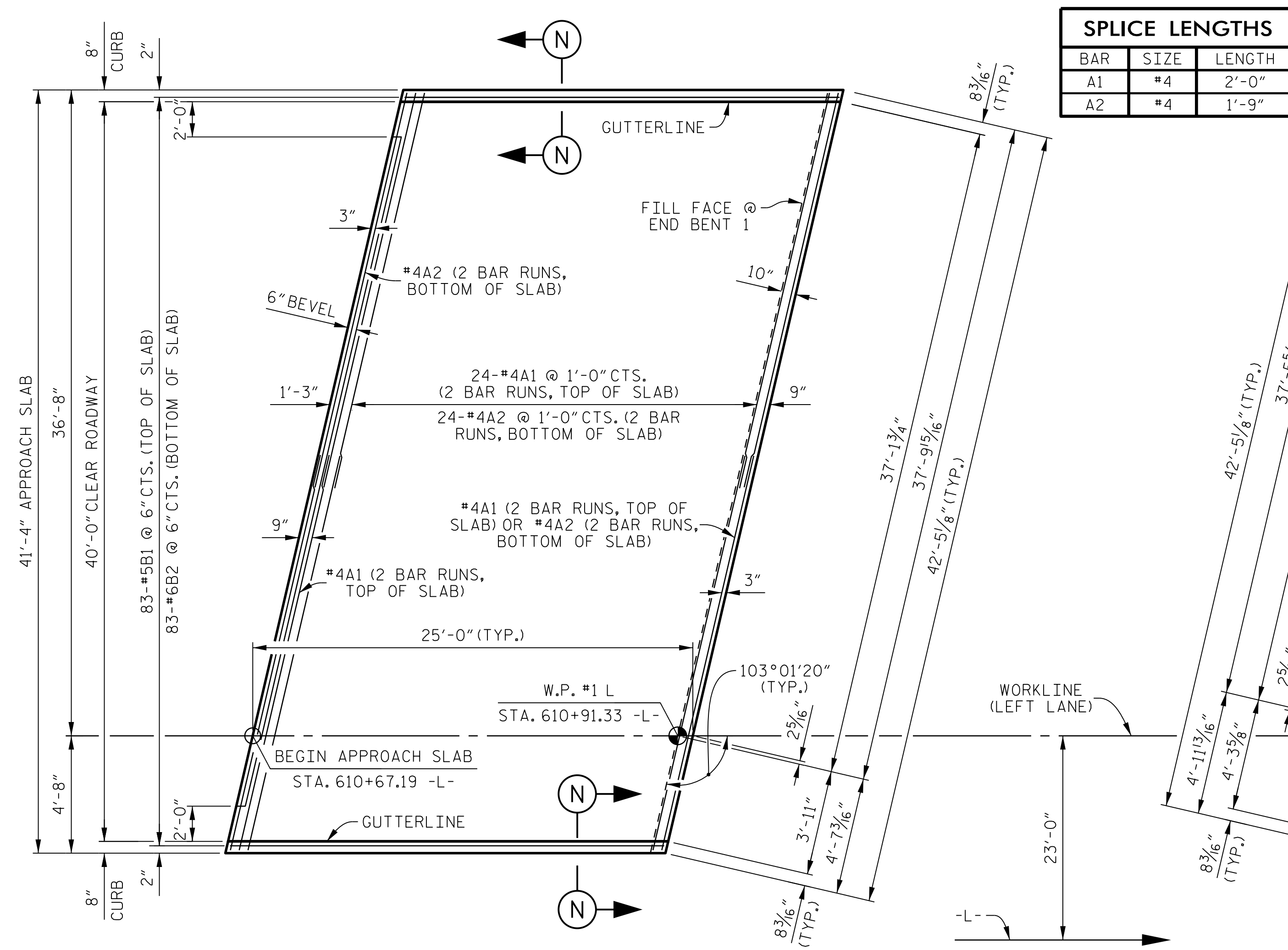
NOTES

APPROACH SLAB SHALL NOT BE CONSTRUCTED PRIOR TO COMPLETION OF THE BRIDGE DECK.

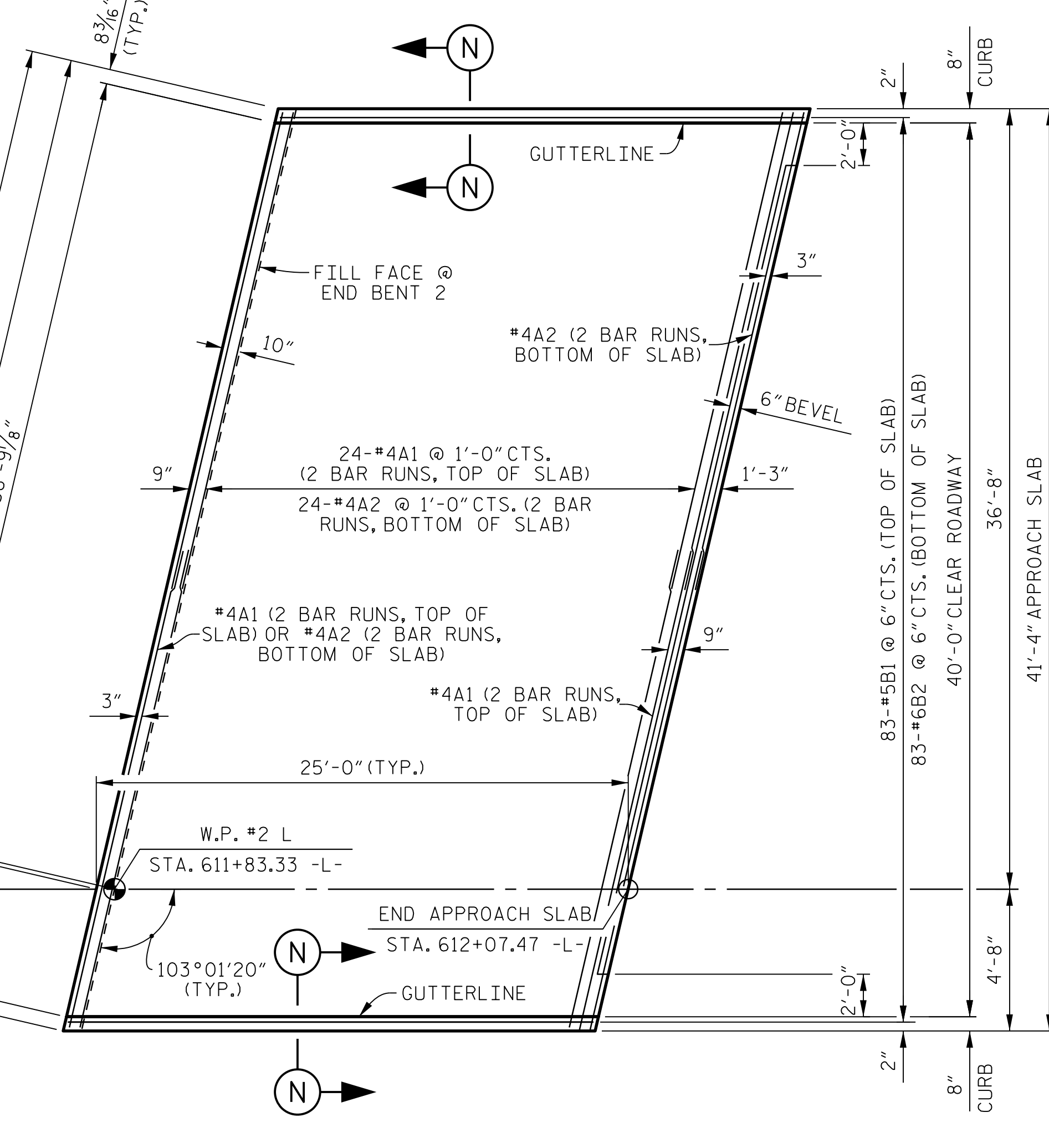
AREA BETWEEN THE WINGWALL AND APPROACH SLAB SHALL BE GRADED TO DRAIN THE WATER AWAY FROM THE FILL FACE OF THE BRIDGE AND SHALL BE PAVED. SEE ROADWAY PLANS.

THE JOINT OPENING AT THE APPROACH SLAB/DECK INTERFACE SHALL BE SAWS NO MORE THAN 12 HOURS AFTER THE APPROACH SLAB IS CAST. THE JOINT SHALL BE CLEANED OF ALL DEBRIS BEFORE THE SEALANT IS APPLIED. THE JOINT SEALER MATERIAL SHALL CONFORM TO THE REQUIREMENTS OF SECTION 1028-3 OF THE STANDARD SPECIFICATIONS.

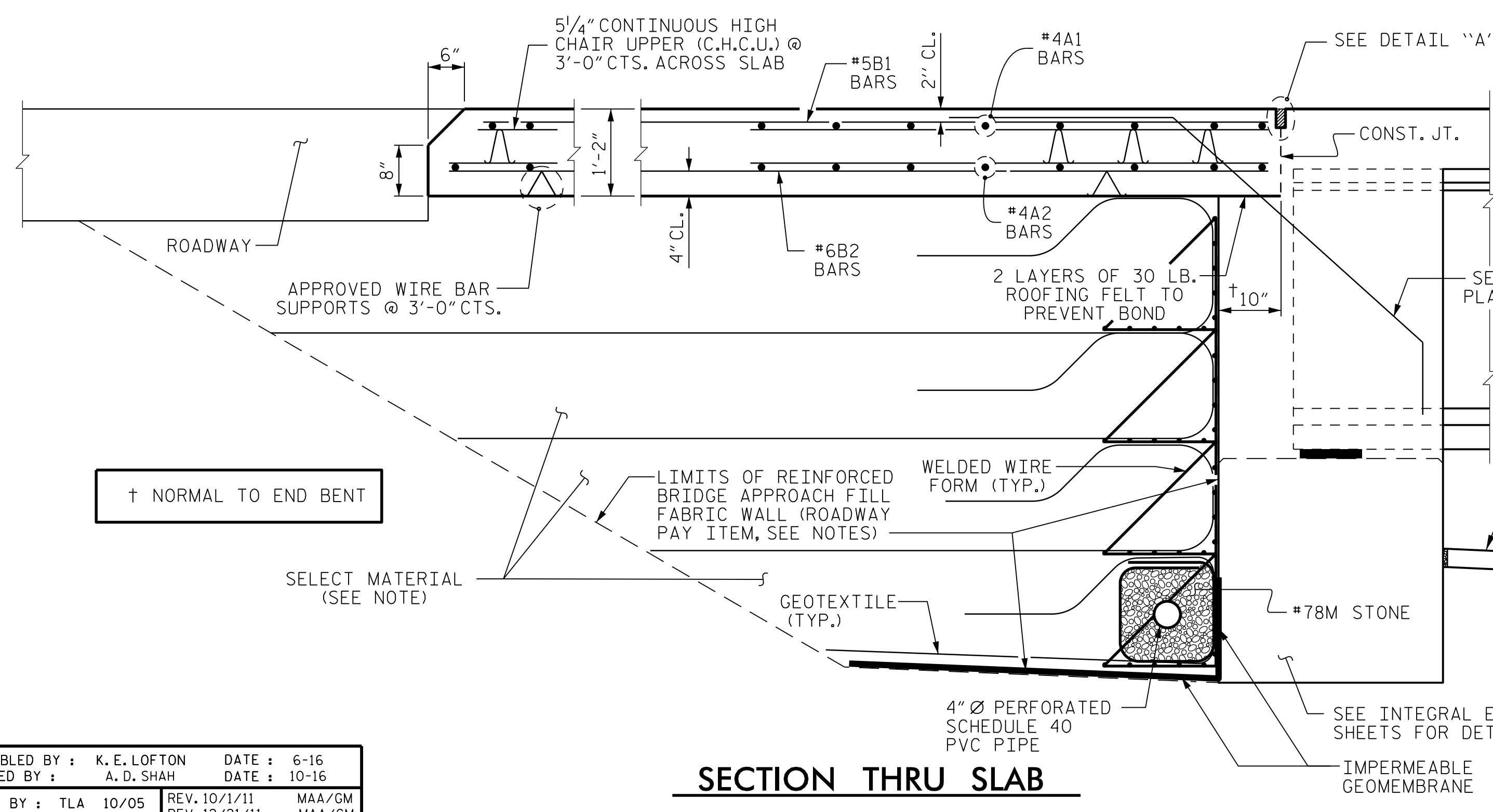
FOR REINFORCED BRIDGE APPROACH FILL INCLUDING GEOTEXTILE, IMPERMEABLE GEOMEMBRANE, 4" Ø DRAINAGE PIPE, #78M STONE, AND SELECT MATERIAL, SEE ROADWAY PLANS.



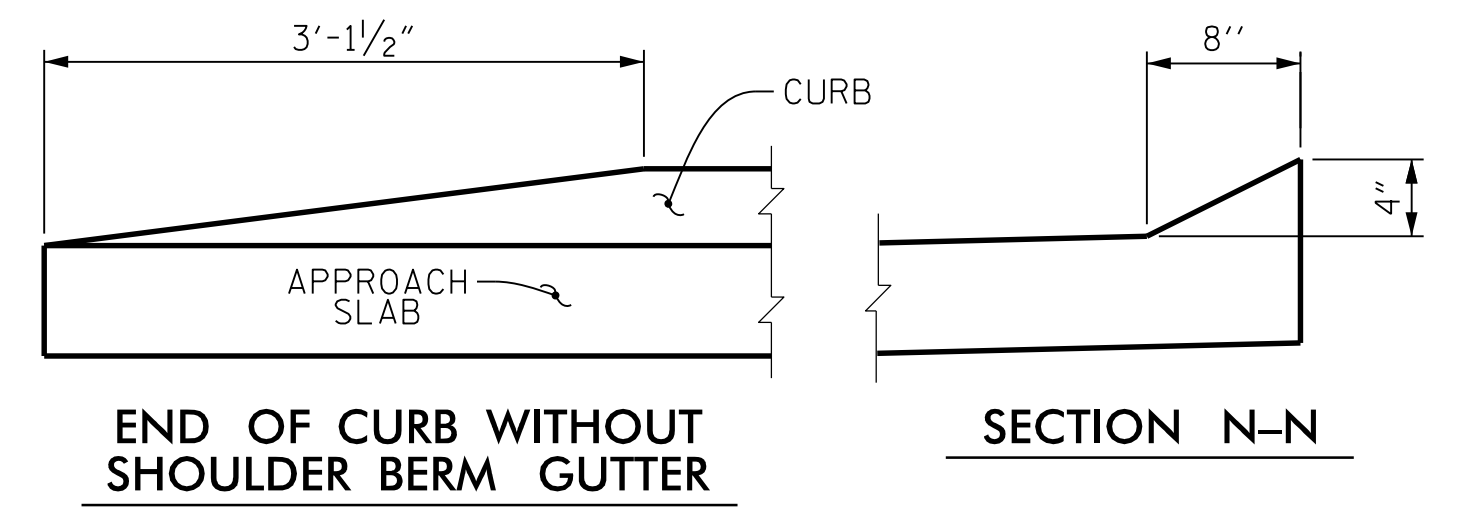
PLAN OF APPROACH SLAB AT END BENT 1



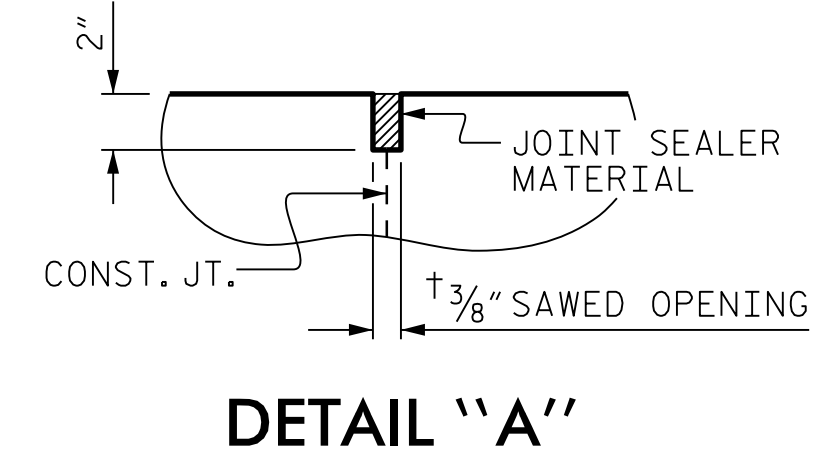
PLAN OF APPROACH SLAB AT END BENT 2



SECTION THRU SLAB



CURB DETAILS

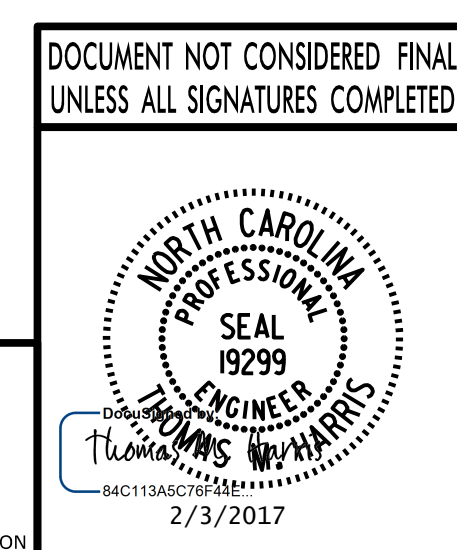


DETAIL "A"

PROJECT NO. **R-2707C**
CLEVELAND COUNTY
 STATION: **611+32.01 -L-**

SHEET 1 OF 2

STATE OF NORTH CAROLINA
 DEPARTMENT OF TRANSPORTATION
 RALEIGH
 STANDARD
**BRIDGE APPROACH SLAB
 FOR INTEGRAL ABUTMENT
 (LEFT LANE)**



PLANS PREPARED BY:
PARSONS
 5540 Centerview Drive, Suite 217
 Raleigh, NC 27606-3386
 NC LICENSE No. F-0246

DRAWN BY :	K. E. LOFTON	DATE :	6-16
CHECKED BY :	A. D. SHAH	DATE :	10-16
DESIGN ENGINEER :	T. M. HARRIS	DATE :	10-16

ASSEMBLED BY :	K. E. LOFTON	DATE :	6-16
CHECKED BY :	A. D. SHAH	DATE :	10-16
DRAWN BY :	TLA	10/05	REV. 10/1/11
CHECKED BY :	GM	5/06	REV. 12/21/11
			REV. 6/13

REVISIONS				SHEET No.	
No.	BY:	DATE:	No.	BY:	DATE:
1			3		
2			4		

TOTAL SHEETS: 25