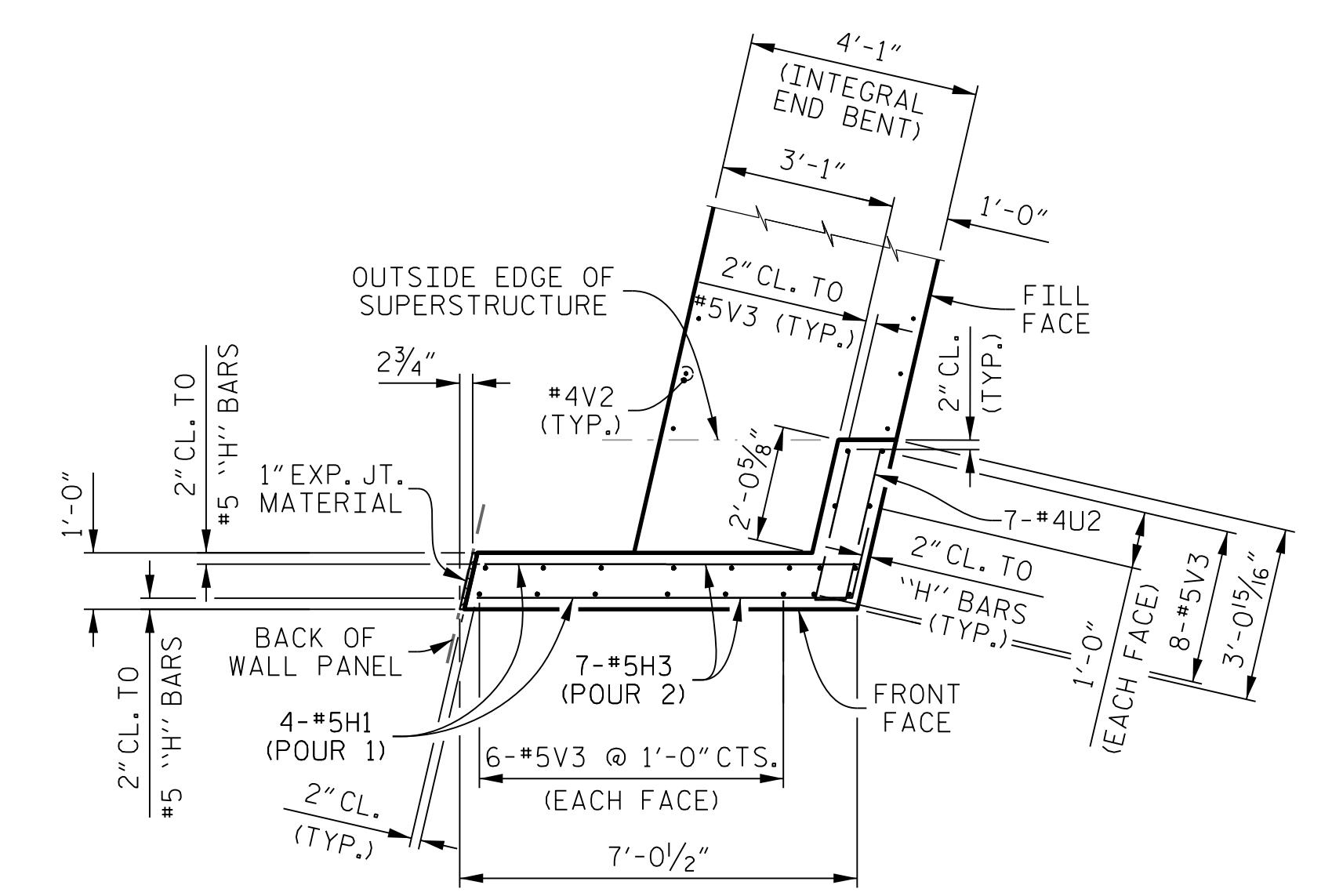
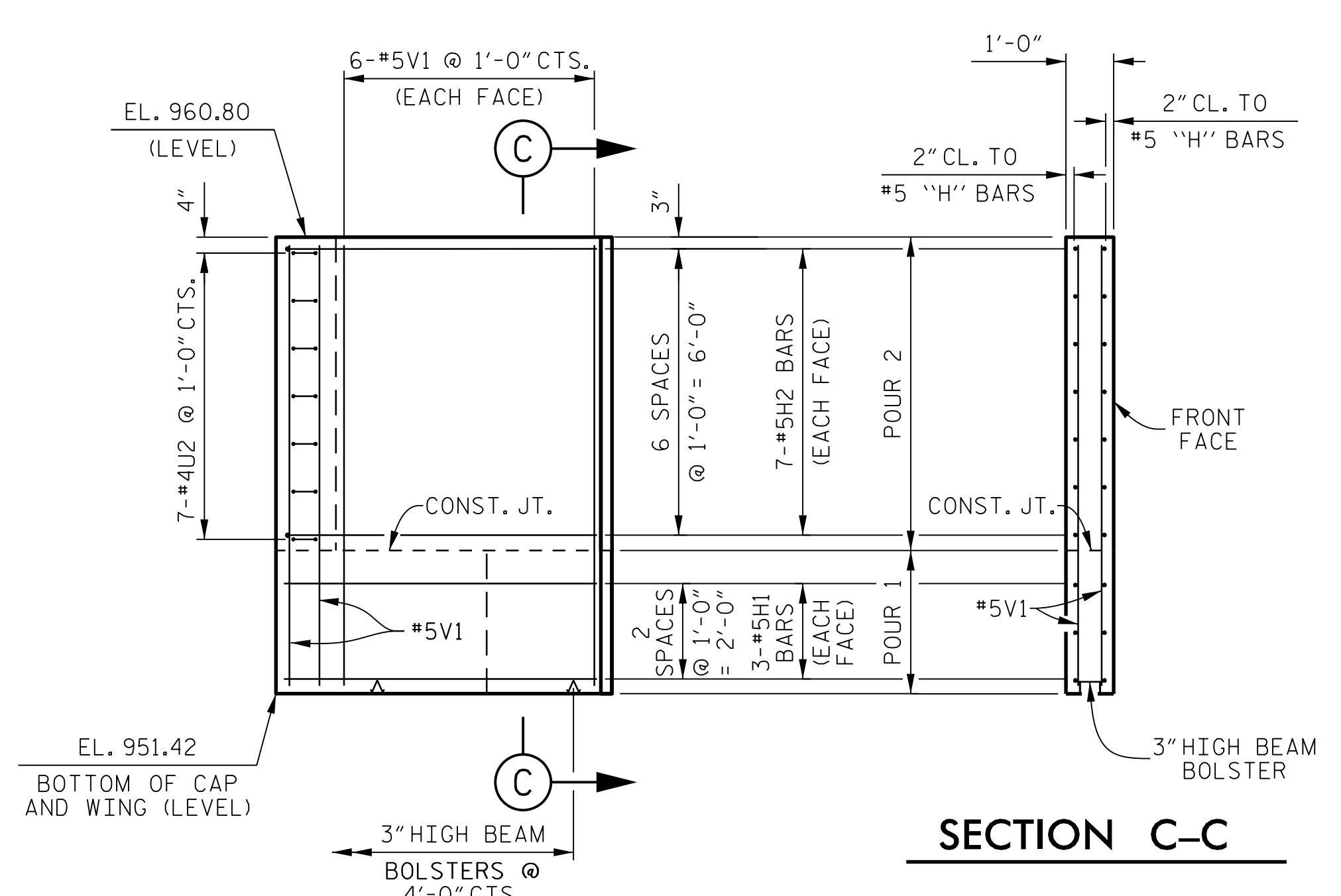


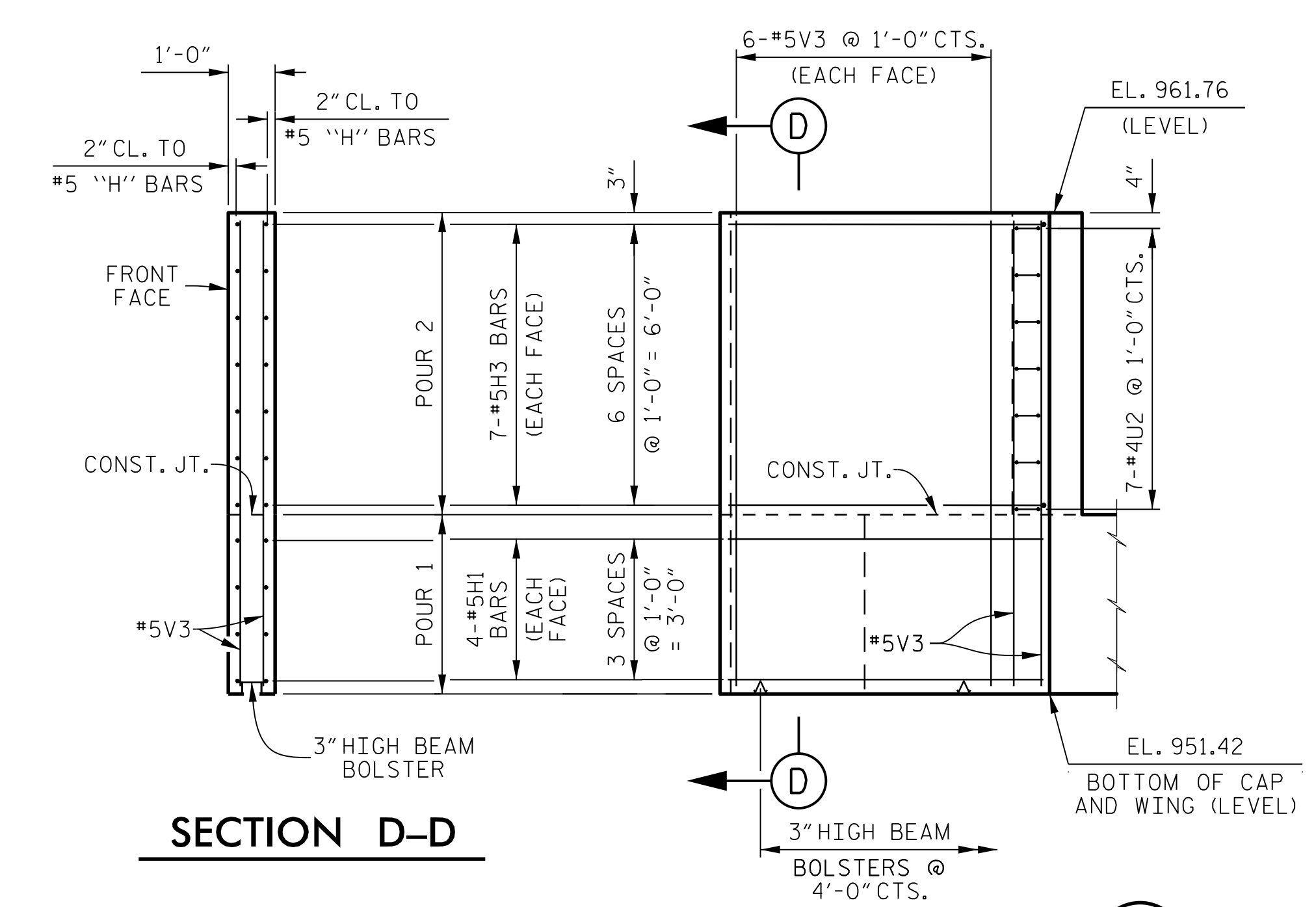
PLAN OF WING W3



PLAN OF WING W4



ELEVATION OF WING W3



ELEVATION OF WING W4

PROJECT NO. R-2707C  
CLEVELAND COUNTY  
 STATION: 611+32.01 -L-

SHEET 2 OF 3

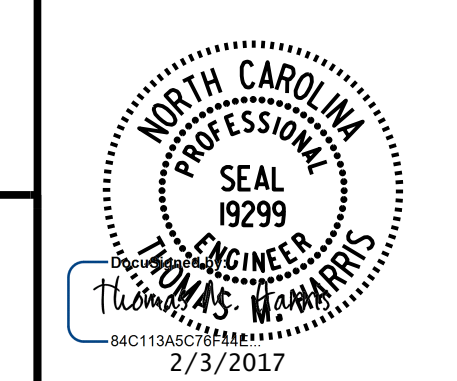
STATE OF NORTH CAROLINA  
 DEPARTMENT OF TRANSPORTATION  
 RALEIGH

**SUBSTRUCTURE  
 END BENT 2  
 (LEFT LANE)**

REVISIONS		SHEET No.	
No.	BY:	DATE:	No.
1			3
2			4

TOTAL SHEETS: 25

DOCUMENT NOT CONSIDERED FINAL  
 UNLESS ALL SIGNATURES COMPLETED



PLANS PREPARED BY:  
**PARSONS**  
 5540 CenterView Drive, Suite 217  
 Raleigh, NC 27606-3386  
 NC LICENSE No. F-0246

DRAWN BY: K. E. LOFTON DATE: 6-16  
 CHECKED BY: A. D. SHAH DATE: 10-16  
 DESIGN ENGINEER: T. M. HARRIS DATE: 10-16