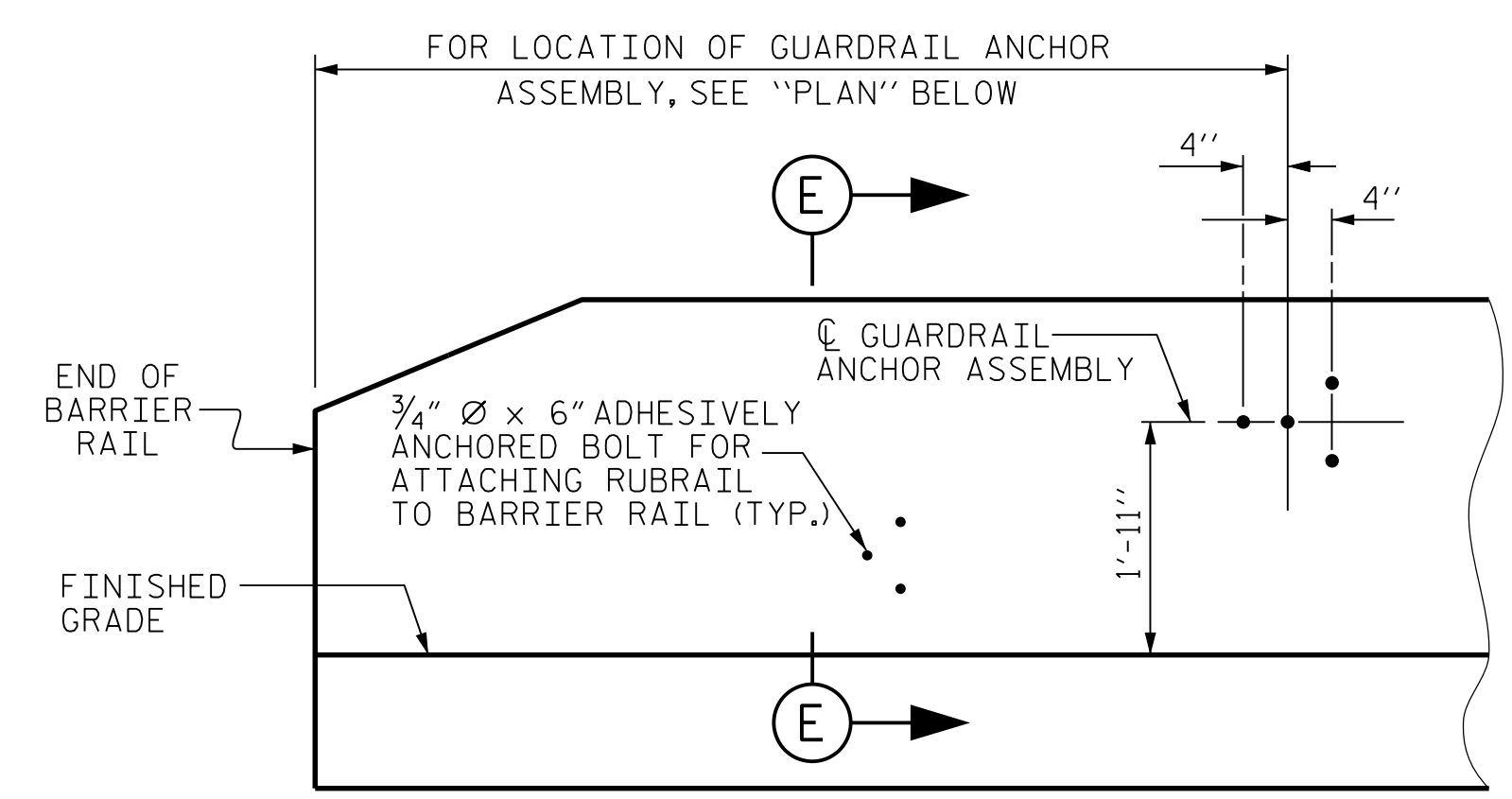


**PLAN**



**ELEVATION**

(END BENT 1 SHOWN, END BENT 2 SIMILAR)

**NOTES**

THE GUARDRAIL ANCHOR ASSEMBLY SHALL CONSIST OF A 1/4" HOLD DOWN PLATE AND 4 - 1/8" Ø BOLTS WITH NUTS AND WASHERS, RUBRAIL, AND ADHESIVELY ANCHORED BOLTS.

THE HOLD-DOWN PLATE SHALL CONFORM TO AASHTO M270 GRADE 36. AFTER FABRICATION, THE HOLD-DOWN PLATE SHALL BE HOT-DIP GALVANIZED IN ACCORDANCE WITH AASHTO M111.

BOLTS SHALL CONFORM TO THE REQUIREMENTS OF ASTM A307 AND NUTS SHALL CONFORM TO THE REQUIREMENTS OF AASHTO M291. BOLTS, NUTS AND WASHERS SHALL BE GALVANIZED. (AT THE CONTRACTOR'S OPTION, STAINLESS STEEL BOLTS, NUTS AND WASHERS MAY BE USED AS AN ALTERNATE FOR THE 1/8" Ø GALVANIZED BOLTS, NUTS AND WASHERS. THEY SHALL CONFORM TO OR EXCEED THE MECHANICAL REQUIREMENTS OF ASTM A307. THE USE OF THIS ALTERNATE SHALL BE APPROVED BY THE ENGINEER.)

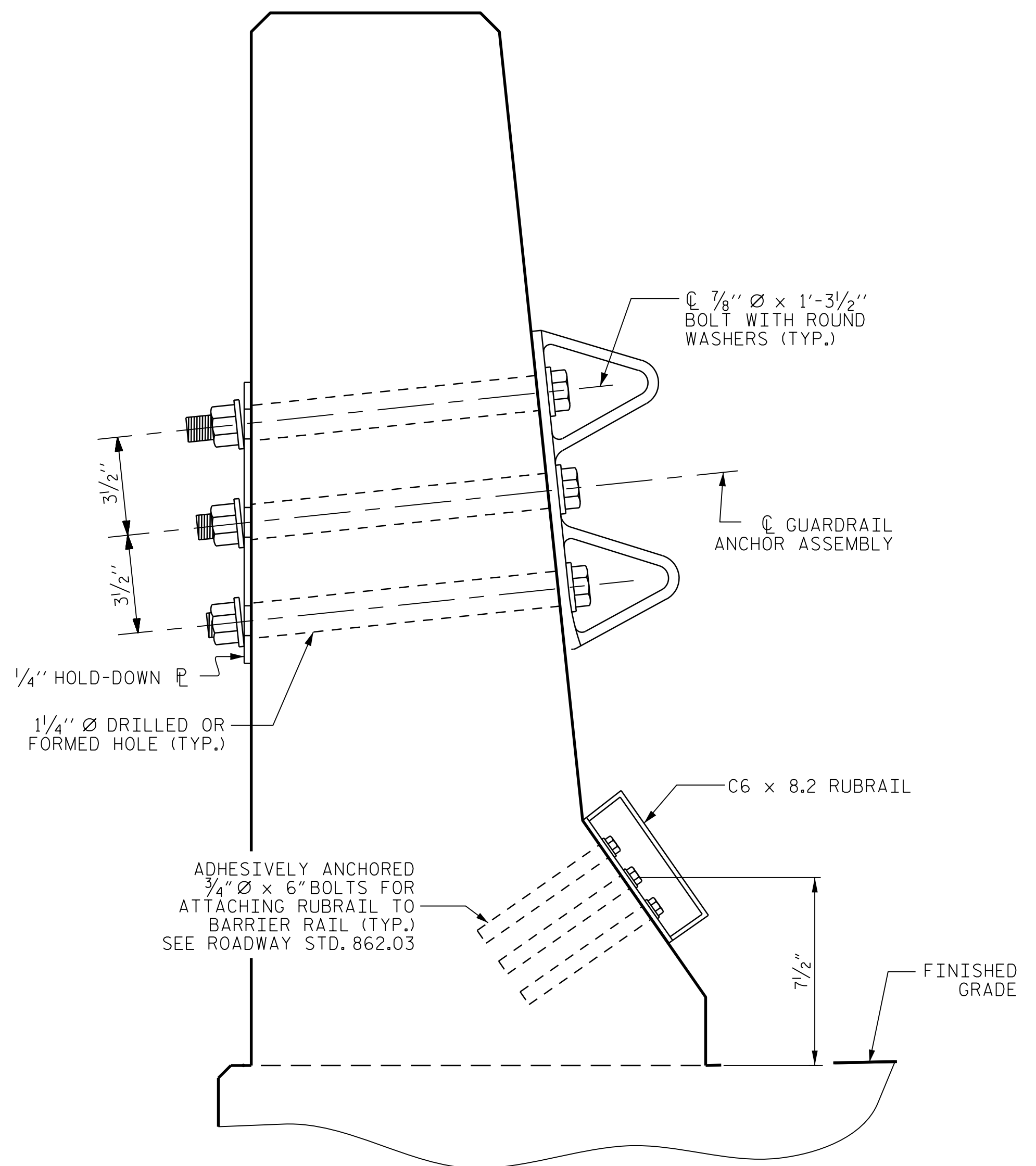
THE GUARDRAIL ANCHOR ASSEMBLY IS REQUIRED AT ALL POINTS WHERE APPROACH GUARDRAIL IS TO BE ATTACHED TO THE END OF BARRIER RAIL. FOR POINTS OF ATTACHMENT, SEE SKETCH.

AFTER INSTALLATION, THE EXPOSED THREAD OF THE BOLT SHALL BE BURRED WITH A SHARP POINTED TOOL.

THE COST OF THE GUARDRAIL ANCHOR ASSEMBLY SHALL BE INCLUDED IN THE UNIT CONTRACT PRICE BID FOR CONCRETE BARRIER RAIL.

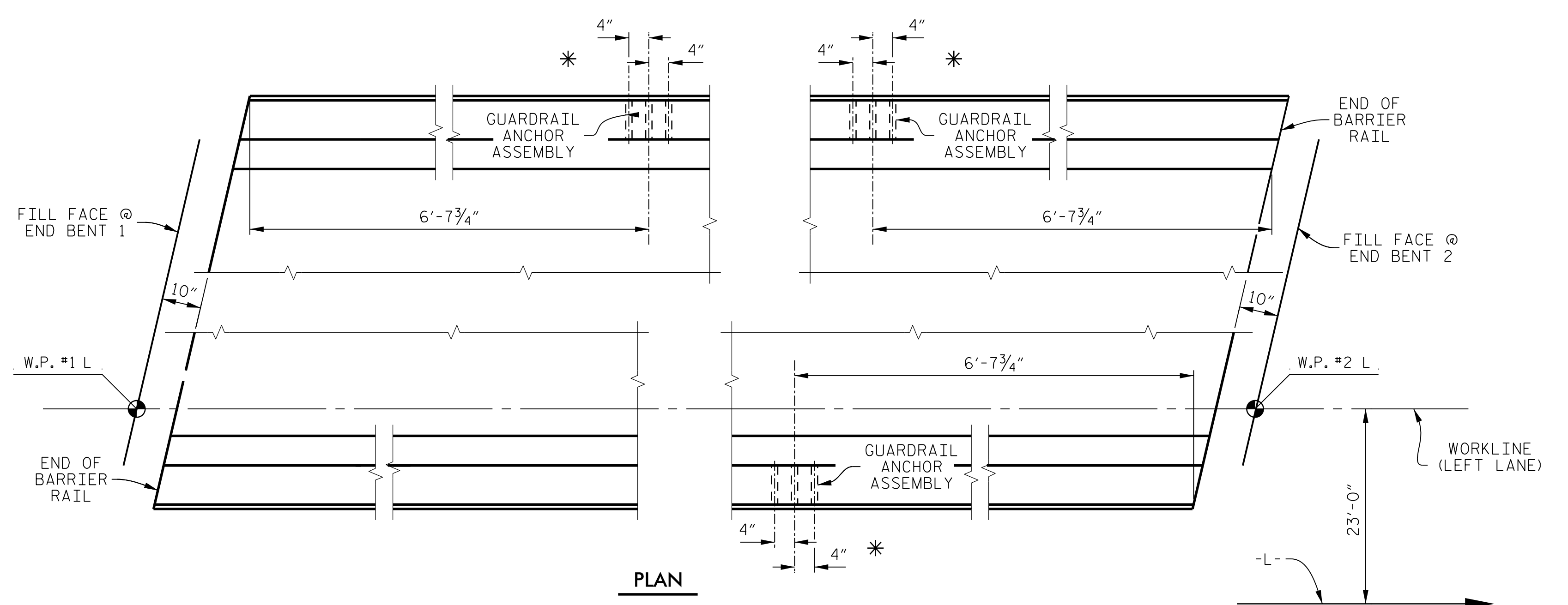
THE 1/4" Ø HOLES SHALL BE FORMED OR DRILLED WITH A CORE BIT. IMPACT TOOLS WILL NOT BE PERMITTED. ANY CONCRETE DAMAGED BY THIS WORK SHALL BE REPAIRED TO THE SATISFACTION OF THE ENGINEER.

THE C6 x 8.2 RUBRAIL IS TO BE ADHESIVELY ANCHORED TO THE RAIL USING THREE 3/4" Ø x 6" BOLTS WITH WASHERS. LEVEL ONE FIELD TESTING IS REQUIRED, AND THE YIELD LOAD OF THE 3/4" Ø BOLT IS 12 KIPS. FOR ADHESIVELY ANCHORED ANCHOR BOLTS OR DOWELS, SEE STANDARD SPECIFICATIONS. SEE ROADWAY STANDARD 862.03 FOR DETAILS AND LOCATION OF THE RUBRAIL.



**SECTION E-E**

**GUARDRAIL ANCHOR ASSEMBLY DETAILS**



**PLAN**

**LOCATION OF ANCHORS FOR GUARDRAIL**

\* DENOTES GUARDRAIL ANCHOR ASSEMBLY

PROJECT NO. **R-2707C**  
**CLEVELAND** COUNTY  
 STATION: **611+32.01 -L-**

STATE OF NORTH CAROLINA  
 DEPARTMENT OF TRANSPORTATION  
 RALEIGH

**STANDARD**  
**GUARDRAIL ANCHORAGE**  
**FOR BARRIER RAIL**  
**(LEFT LANE)**

DOCUMENT NOT CONSIDERED FINAL  
 UNLESS ALL SIGNATURES COMPLETED

PLANS PREPARED BY:  
**PARSONS**  
 5540 CenterView Drive, Suite 217  
 Raleigh, NC 27606-3386  
 NC LICENSE No. F-0246  
 2/3/2017

DRAWN BY :	K. E. LOFTON	DATE :	6-16
CHECKED BY :	A. D. SHAH	DATE :	10-16
DESIGN ENGINEER :	T. M. HARRIS	DATE :	10-16

ASSEMBLED BY :	K. E. LOFTON	DATE :	6-16
CHECKED BY :	A. D. SHAH	DATE :	10-16
DRAWN BY :	TLA 5/06	REV. 10/1/11	MAA/GM
CHECKED BY :	GM 5/06	REV. 7/12	MAA/GM
		REV. 6/13	MAA/GM

REVISIONS						SHEET No. <b>S9-15</b>
No.	BY:	DATE:	No.	BY:	DATE:	
1			3			TOTAL SHEETS <b>25</b>
2			4			

FILE: I:\2707C\_struct\struct\plans - smc\_final\409\_029\_029\_R2707C\_smc\_gp1\_09-15.dgn  
 DATE: 10/20/17 12:47:30 PM