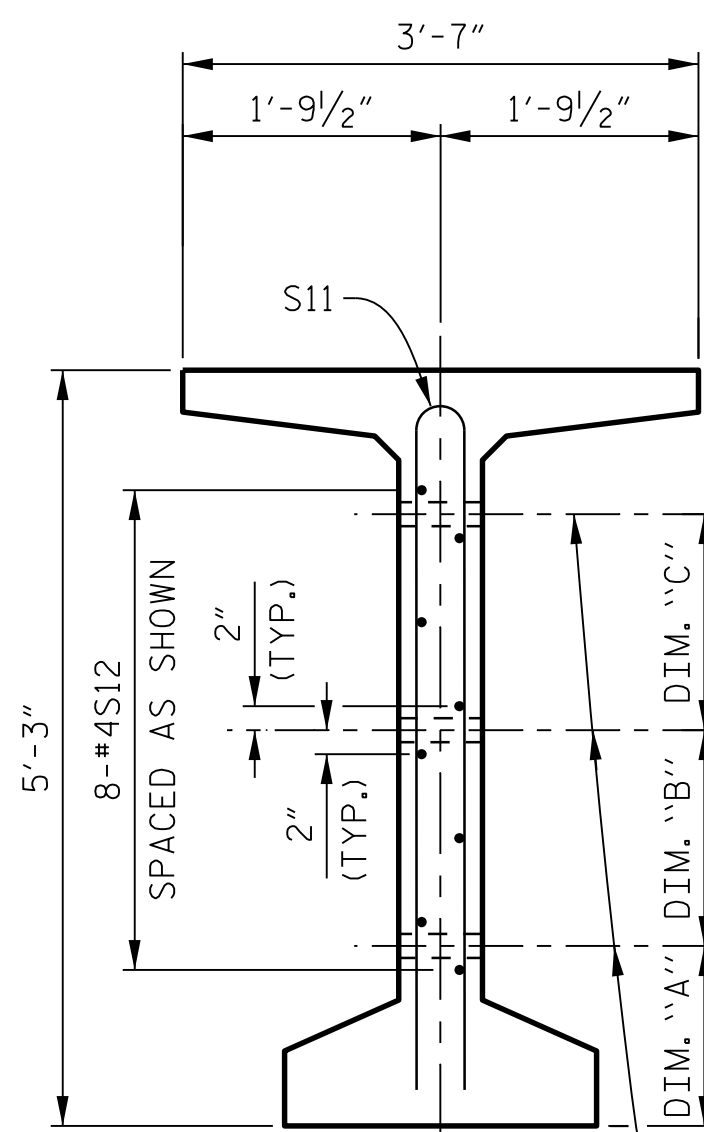


**SECTION A-A**

\* FOR S7 BAR SPACING, SEE DETAIL "C", SHEET 3 OF 3.

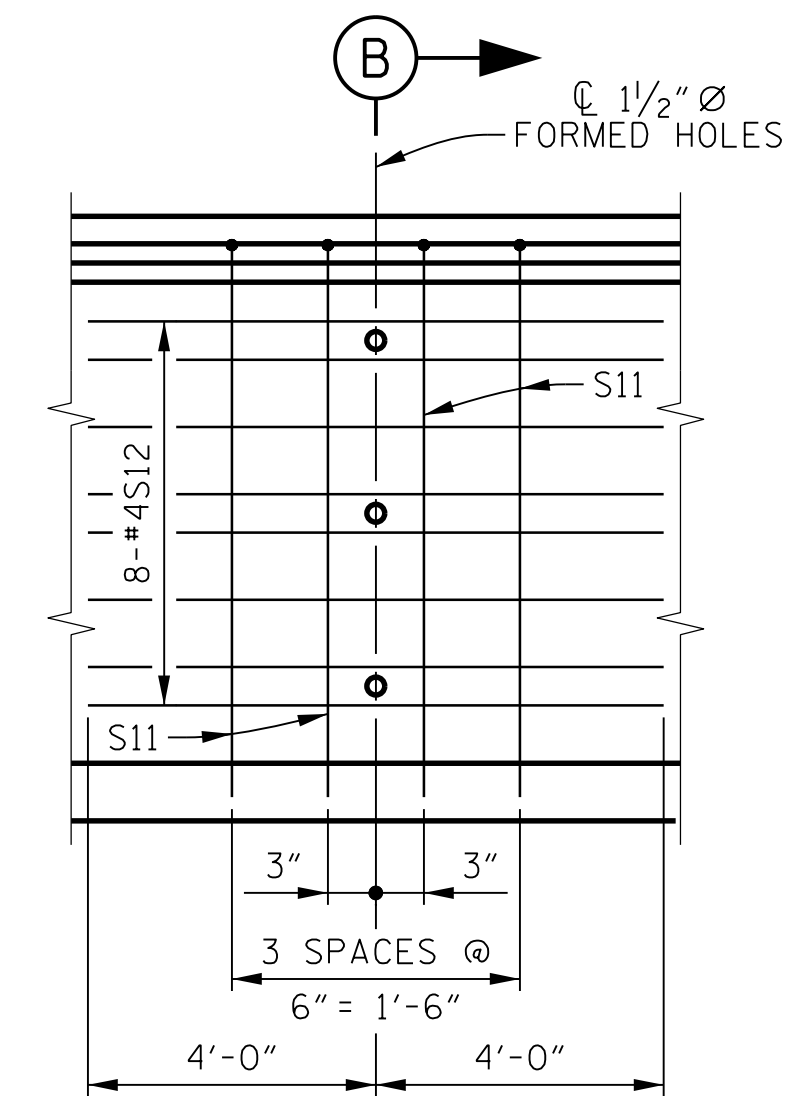


**SECTION B-B**

(S1, S6 AND S9 BARS NOT SHOWN)

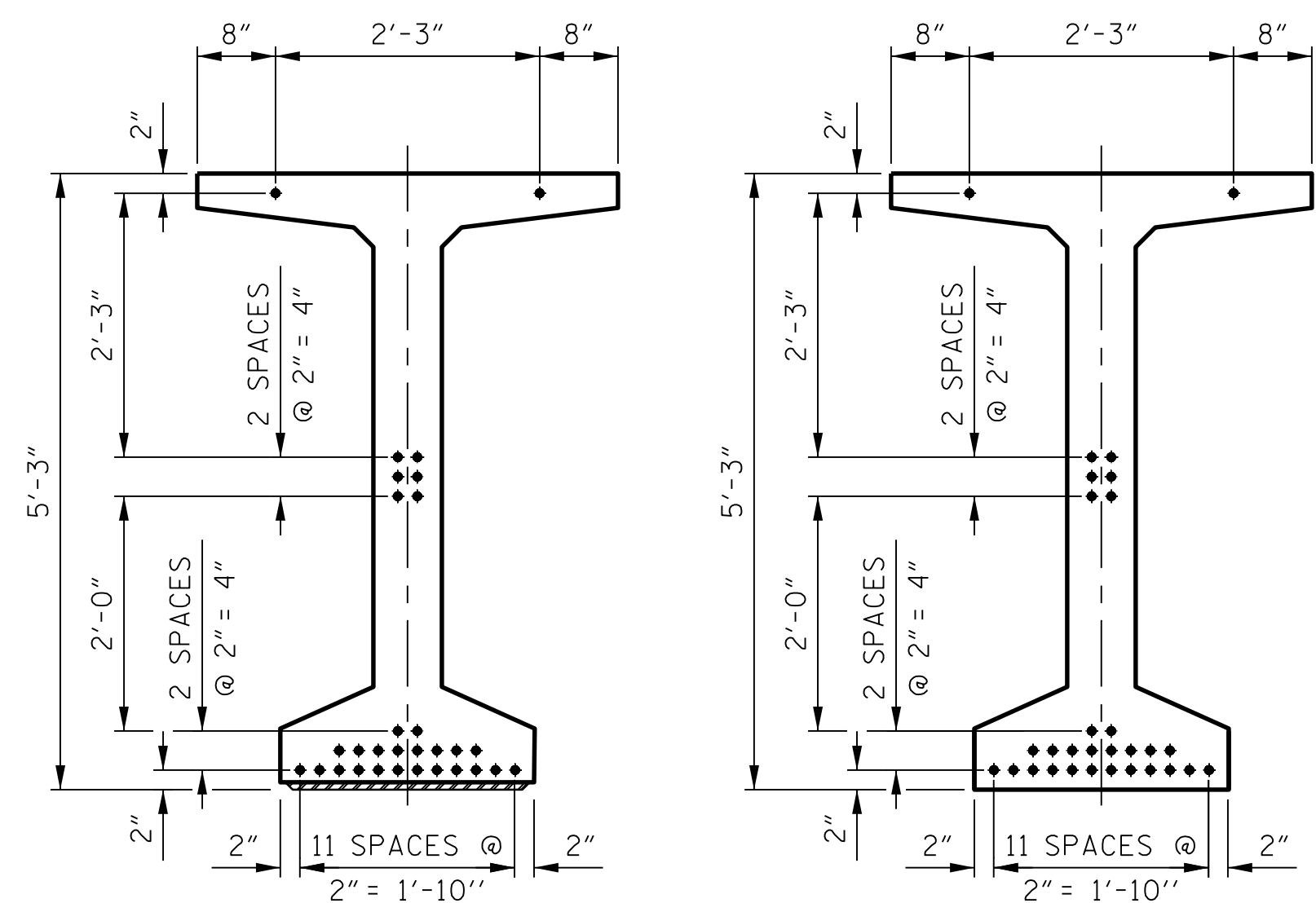
TABLE			
GIRDER TYPE	DIM "A"	DIM "B"	DIM "C"
63" BULB TEE	1'-9"	1'-5"	11 3/4"

Ø 1 1/2" Ø FORMED HOLE, FOR LOCATION SEE ELEVATION, SHEET 1 OF 3.



**PARTIAL ELEVATION**

SHOWING INTERMEDIATE DIAPHRAGM REINFORCING STEEL FOR ALL GIRDERS



**30 - 0.6" Ø LOW RELAXATION STRAND LAYOUT**

● FULLY BONDED STRANDS

PROJECT NO. R-2707C  
CLEVELAND COUNTY  
 STATION: 611+32.01 -L-

SHEET 2 OF 3

STATE OF NORTH CAROLINA  
 DEPARTMENT OF TRANSPORTATION  
 RALEIGH

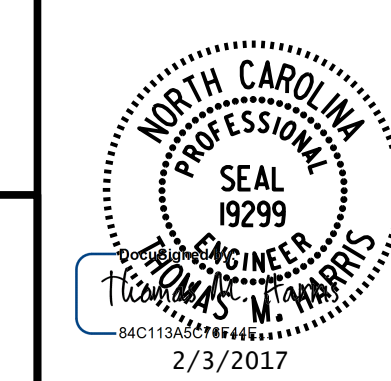
STANDARD

**63" PRESTRESSED CONCRETE MODIFIED BULB TEE GIRDER**

(LEFT LANE)

REVISIONS						SHEET No.
No.	BY:	DATE:	No.	BY:	DATE:	TOTAL SHEETS
1			3			25
2			4			

DOCUMENT NOT CONSIDERED FINAL UNLESS ALL SIGNATURES COMPLETED



PLANS PREPARED BY:  
**PARSONS**  
 5540 CenterView Drive, Suite 217  
 Raleigh, NC 27606-3386  
 NC LICENSE No. F-0246  
 FOR NORTH CAROLINA DEPARTMENT OF TRANSPORTATION

DRAWN BY : K. E. LOFTON DATE : 6-16  
 CHECKED BY : T. M. HARRIS DATE : 10-16  
 DESIGN ENGINEER : T. M. HARRIS DATE : 10-16

ASSEMBLED BY : K. E. LOFTON DATE : 6-16  
 CHECKED BY : T. M. HARRIS DATE : 10-16  
 DRAWN BY : EEM 2/6/97 REV. 10/1/11 MAA/GM  
 CHECKED BY : VAP 2/6/97 REV. 6/13 MAA/GM  
 DATE: 10/20/17 REV. 1/15 MAA/TMC

FILE: j:\2707c\strands\plans\plans - smc\_final\409\_019\_R2707C\_smc.pdf, 9/10/16pm  
 DATE: 10/20/17 12:47:23 PM