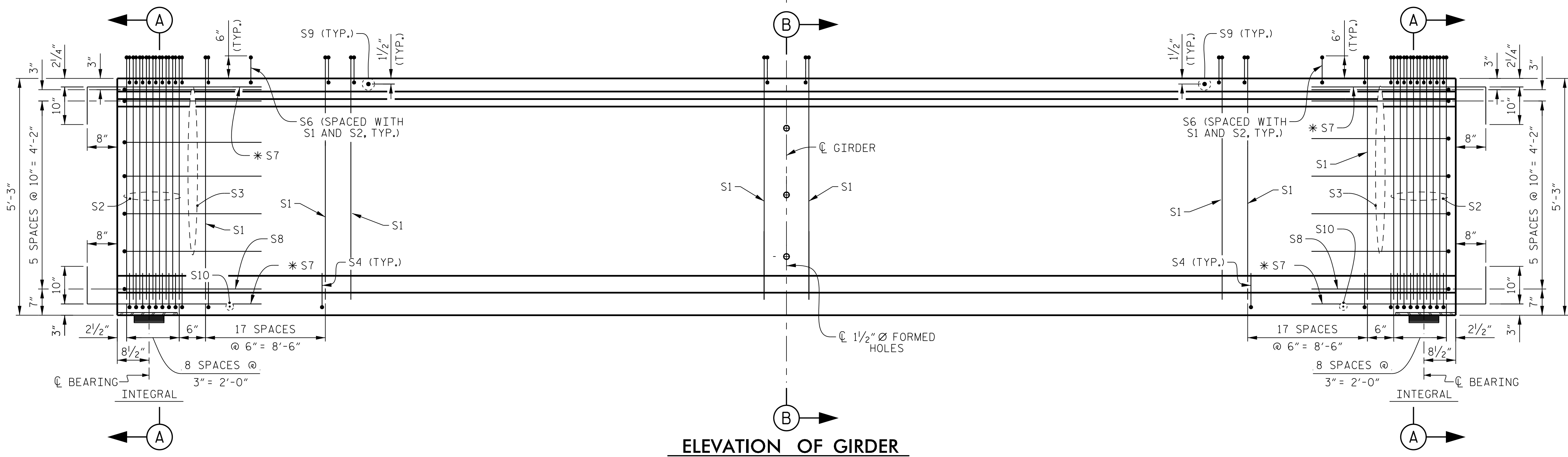


PLAN OF GIRDER



ELEVATION OF GIRDER

NOTES
 FOR SECTION A-A AND SECTION B-B, SEE SHEET 2 OF 3.
 FOR STRAND PATTERN, SEE SHEET 2 OF 3.
 FOR ADDITIONAL NOTES, SEE SHEET 3 OF 3.

0.6" Ø L.R. GRADE 270 STRANDS

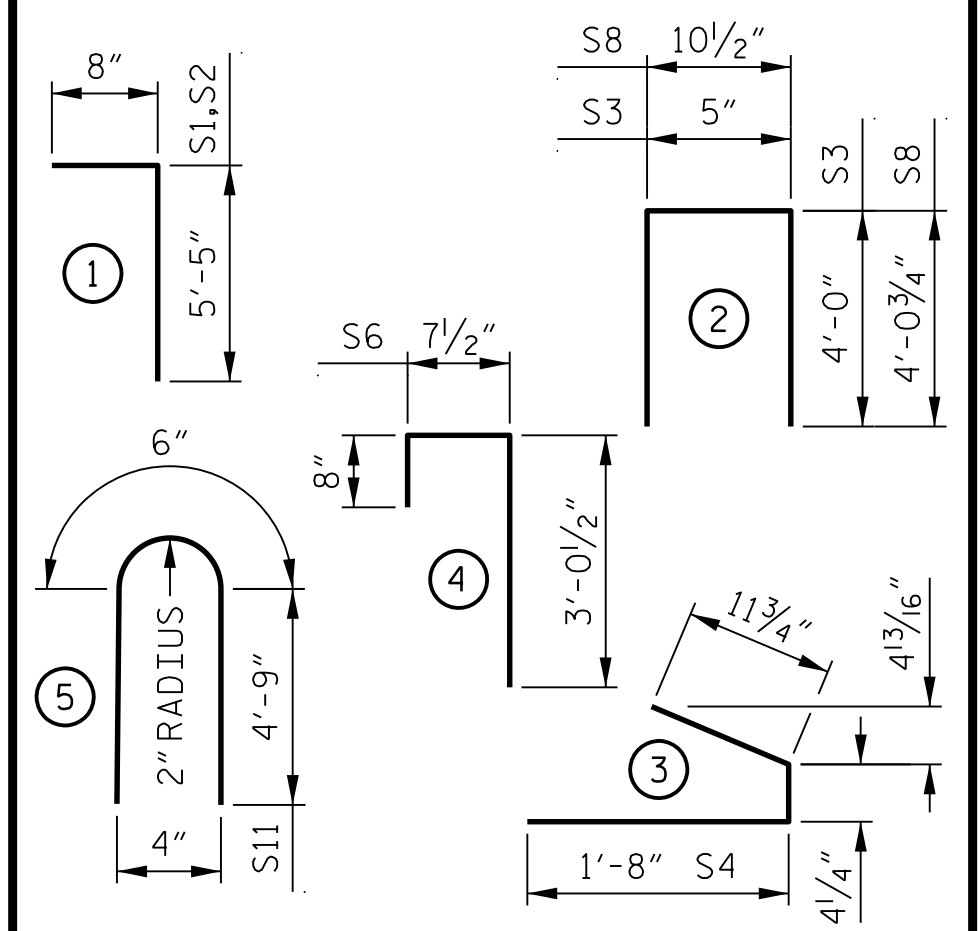
AREA (SQUARE INCHES)	ULTIMATE STRENGTH (LBS. PER STRAND)	APPLIED PRESTRESS (LBS. PER STRAND)
0.217	58,600	43,950

REINFORCING STEEL FOR ONE GIRDER

BAR	NUMBER	SIZE	TYPE	LENGTH	WEIGHT
S1	204	#4	1	6'-1"	829
S2	36	#5	1	6'-1"	228
S3	12	#4	2	8'-5"	67
S4	108	#4	3	3'-0"	216
S6	240	#5	4	4'-4"	1,085
*S7	40	#5	STR	3'-8"	153
S8	2	#5	2	9'-0"	19
S9	33	#5	STR	3'-3"	112
S10	2	#3	STR	1'-10"	1
S11	4	#5	5	10'-0"	42
S12	8	#4	STR	8'-0"	43

* NOTE: S7 BARS SHALL BE BENT BEFORE SHIPMENT. HEAT BENDING SHALL NOT BE ALLOWED.

BAR TYPES
 ALL BAR DIMENSIONS ARE OUT-TO-OUT.



QUANTITIES FOR ONE GIRDER

GIRDERS	REINFORCING STEEL	7,000 PSI CONCRETE	0.6" Ø L.R. STRANDS
	LB.	C.Y.	No.
A1 THRU A4	2,795	17.7	30

GIRDERS REQUIRED

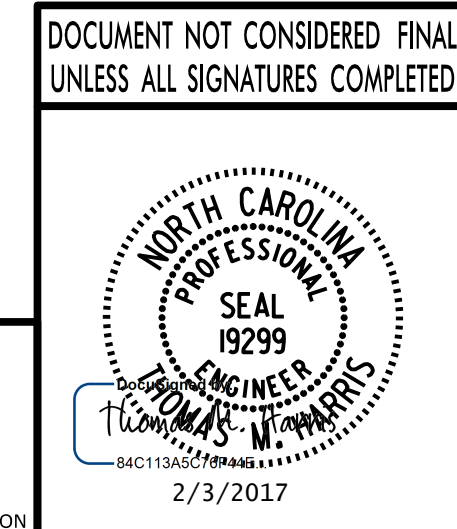
LOCATION	NUMBER	LENGTH	TOTAL LENGTH
SPAN A	4	89'-2 3/4"	356.92'

PROJECT NO. **R-2707C**
CLEVELAND COUNTY
 STATION: **611+32.01 -L-**

SHEET 1 OF 3

STATE OF NORTH CAROLINA
 DEPARTMENT OF TRANSPORTATION
 RALEIGH
 STANDARD
63" PRESTRESSED CONCRETE MODIFIED BULB TEE GIRDER
 (LEFT LANE)

REVISIONS						SHEET No. S9-9
No.	BY:	DATE:	No.	BY:	DATE:	
1			3			TOTAL SHEETS 25
2			4			



PLANS PREPARED BY:
PARSONS
 5540 CenterView Drive, Suite 217
 Raleigh, NC 27606-3386
 NC LICENSE No. F-0246
 FOR NORTH CAROLINA DEPARTMENT OF TRANSPORTATION

ASSEMBLED BY : K. E. LOFTON	DATE : 6-16
CHECKED BY : T. M. HARRIS	DATE : 10-16
DRAWN BY : EEM 2/6/97	REV. 10/1/11 MAA/GM
CHECKED BY : VAP 2/6/97	REV. 6/13 MAA/GM
	REV. 1/15 MAA/TMG

DRAWN BY : K. E. LOFTON	DATE : 6-16
CHECKED BY : T. M. HARRIS	DATE : 10-16
DESIGN ENGINEER : T. M. HARRIS	DATE : 10-16

FILE: j:\2707c\structures\plans - smc_final\409_017_2707C_smc.ppl_99-9.dgn
 DATE: 10/20/17 10:47:21 AM