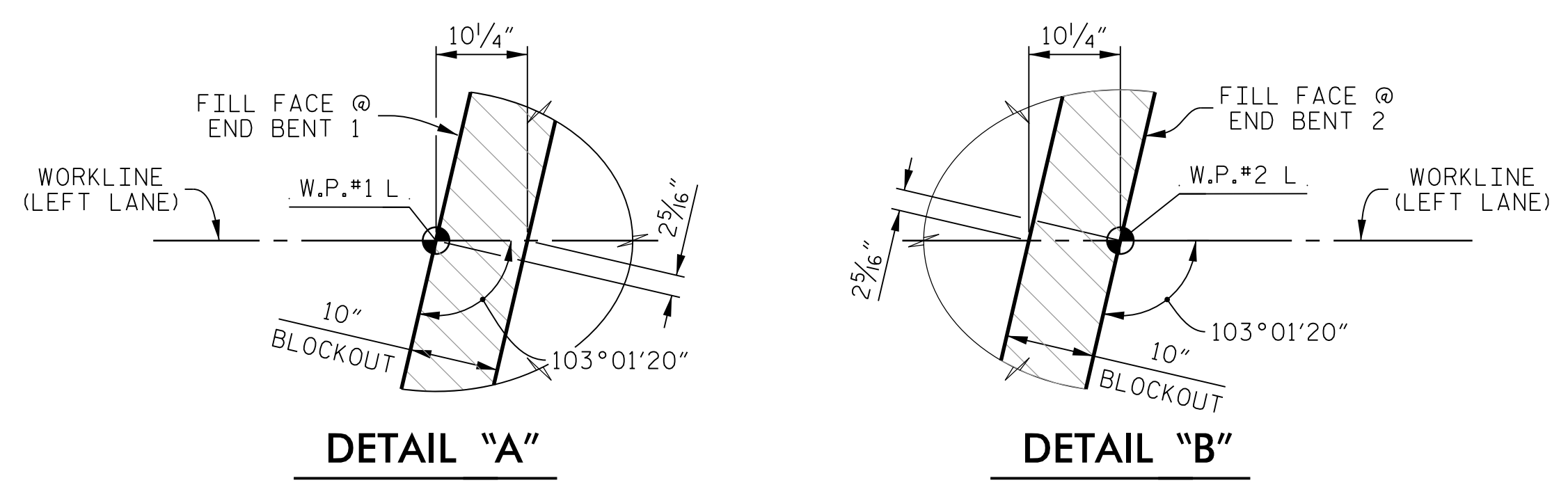


**PLAN OF SPAN**

PROJECT NO. **R-2707C**  
**CLEVELAND COUNTY**  
 STATION: **611+32.01 -L-**



**NOTES**

#5 "A" BARS SHALL BE PLACED PERPENDICULAR TO WORKLINE WITH A 2" MINIMUM CLEARANCE ON EACH END.

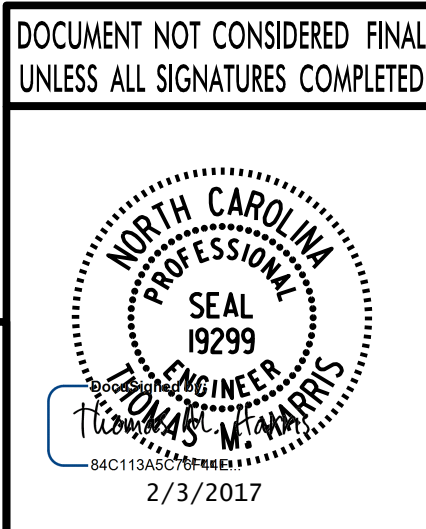
FOR REINFORCING STEEL IN CONCRETE BARRIER RAIL, SEE "CONCRETE BARRIER RAIL" SHEET.

FOR SLAB POURING SEQUENCE AND SPLICE CHART, SEE "SUPERSTRUCTURE BILL OF MATERIAL" SHEET.

FOR INTERMEDIATE STEEL DIAPHRAGM DETAILS, SEE "INTERMEDIATE STEEL DIAPHRAGMS FOR 63" MODIFIED BULB TEE PRESTRESSED CONCRETE GIDERS" SHEET.

DRAWN BY : **K. E. LOFTON** DATE : **6-16**  
 CHECKED BY : **A. D. SHAH** DATE : **10-16**  
 DESIGN ENGINEER : **T. M. HARRIS** DATE : **10-16**

PLANS PREPARED BY :  
**PARSONS**  
 5540 CenterView Drive, Suite 217  
 Raleigh, NC 27606-3386  
 NC LICENSE No. F-0246



STATE OF NORTH CAROLINA DEPARTMENT OF TRANSPORTATION RALEIGH					
<b>SUPERSTRUCTURE PLAN OF SPAN (LEFT LANE)</b>					
REVISIONS					
No.	BY:	DATE:	No.	BY:	DATE:
1			3		
2			4		
SHEET No.					S9-7
TOTAL SHEETS					25
					STR. #9

FILE: j:\2707c\structures\plans - smc\final\409\_013\_02707C\_smc\_pls\_9-7.dgn  
 DATE: 10/20/17 12:47:18 PM