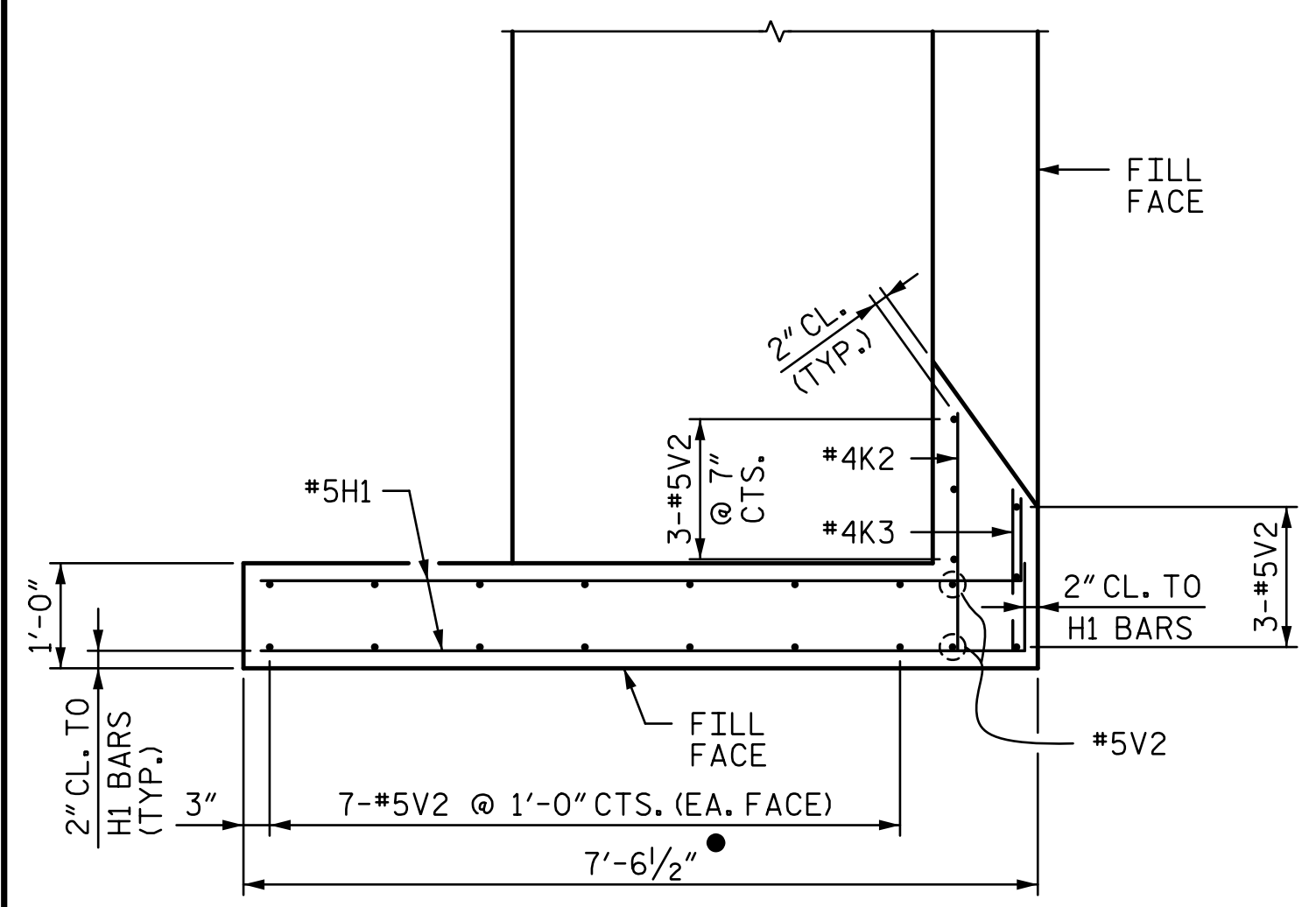
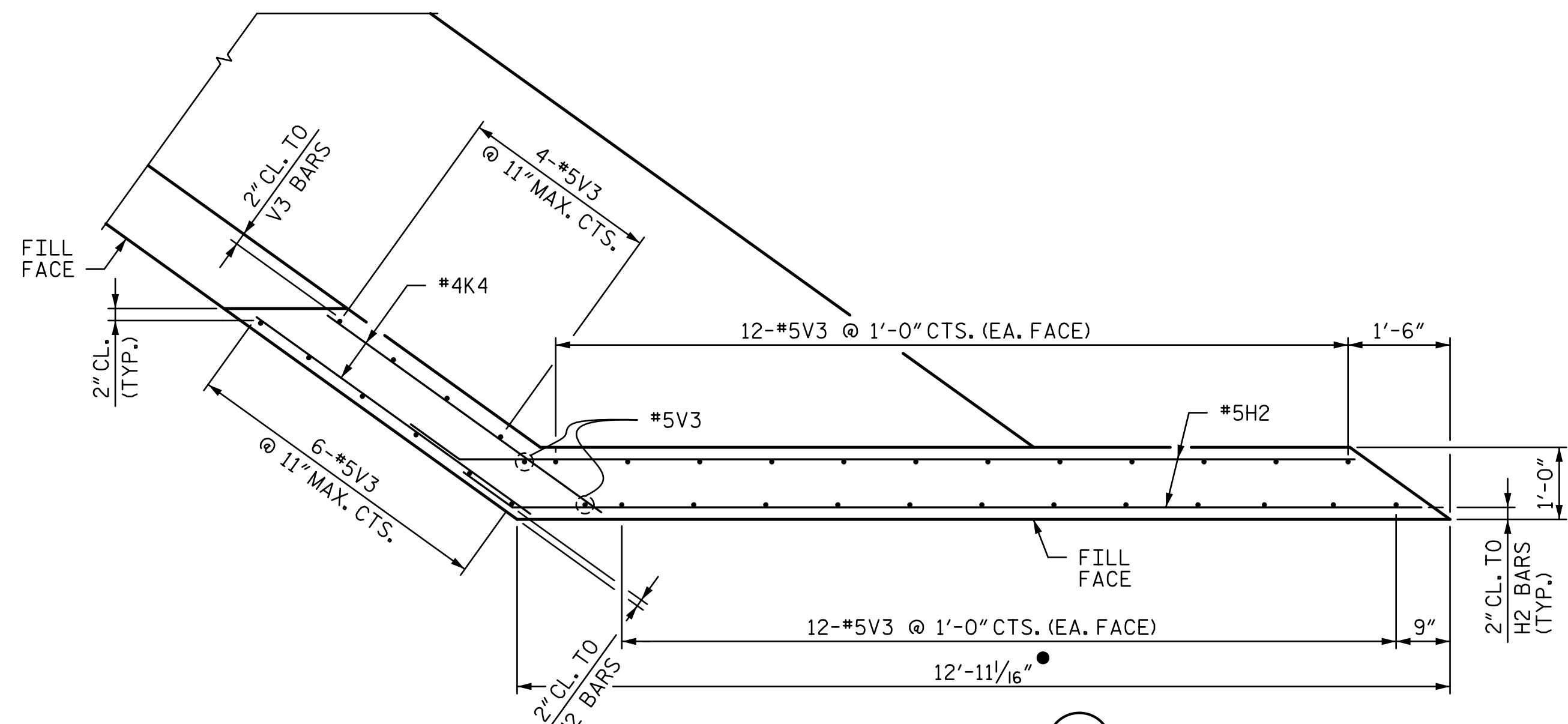


R:\408_067_R2707C_SMU_EB02_S8-34.dgn 7:03:38 PM 12/13/2016 aiveyac

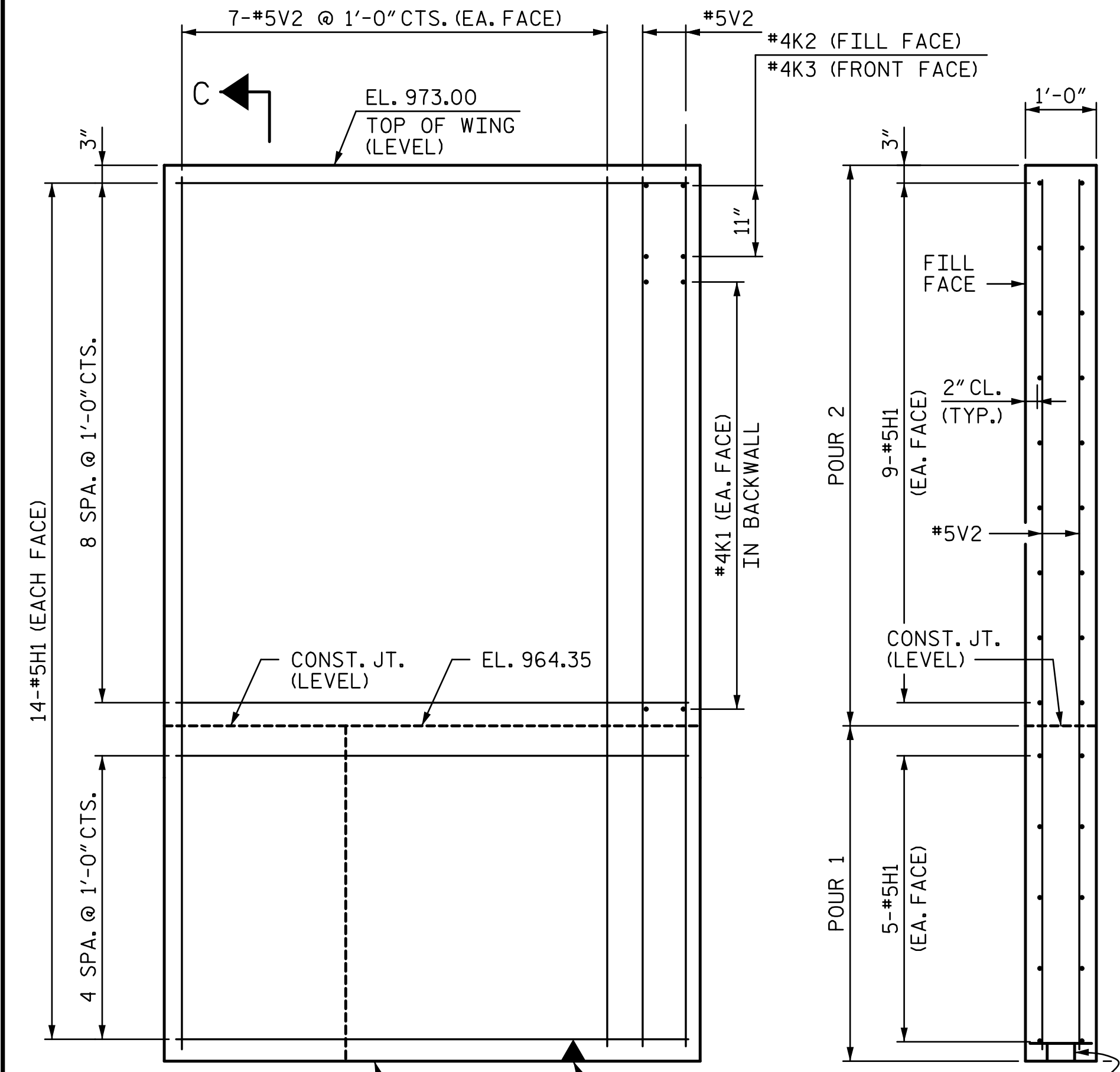


PLAN (W1)

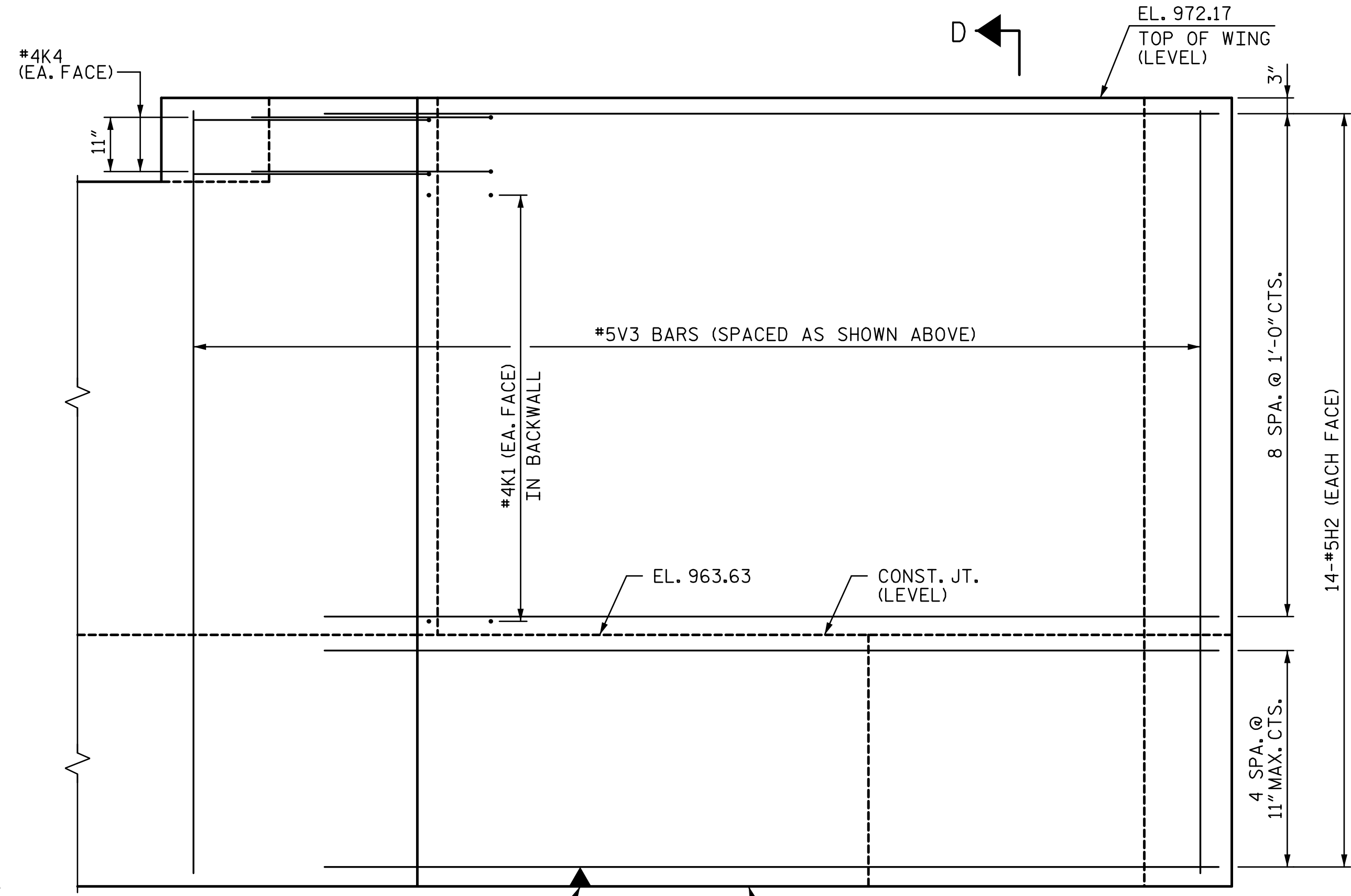


PLAN (W2)

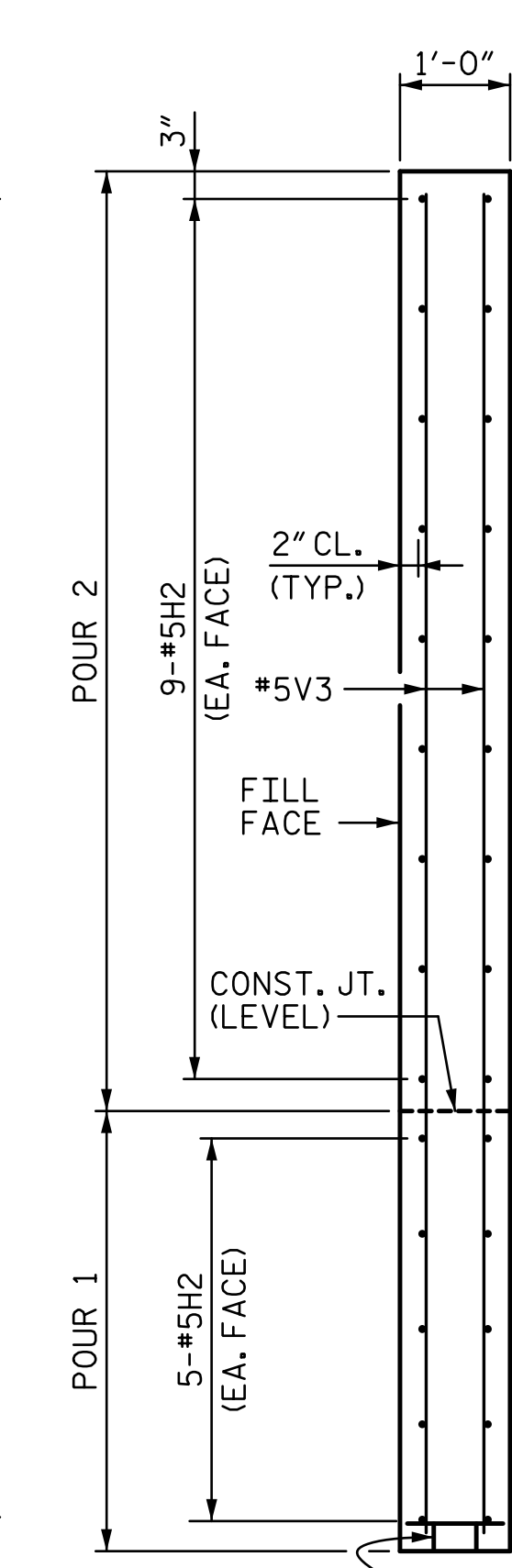
SEE NOTE 4 ON SHEET 1 OF 3



ELEVATION (W1)



ELEVATION (W2)

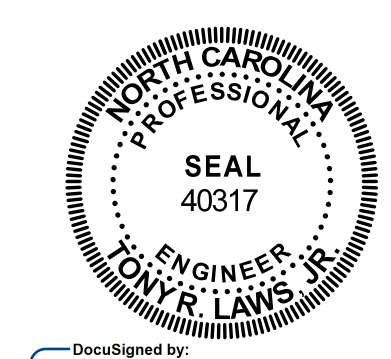


SECTION D-D

SECTION C-C

PROJECT NO. R-2707C
CLEVELAND COUNTY
 STATION: 596+50.98 -L-
 SHEET 2 OF 3

DOCUMENT NOT CONSIDERED FINAL UNLESS ALL SIGNATURES COMPLETED



DocuSigned by:
 Tony R. Laws, Jr.
 CA0CE0F6B76AF7...
 12/13/2016

STATE OF NORTH CAROLINA DEPARTMENT OF TRANSPORTATION RALEIGH						SHEET NO. S8-34
SUBSTRUCTURE END BENT 1						
(SITE 6R)						TOTAL SHEETS 44
REVISIONS						
NO.	BY:	DATE:	NO.	BY:	DATE:	
1			3			
2			4			

DRAWN BY: <u>MBC</u>	DATE: <u>10-16</u>	DESIGN ENGINEER OF RECORD: <u>V. WU</u>	DATE: <u>10-16</u>
CHECKED BY: <u>TJT</u>	DATE: <u>10-16</u>		

