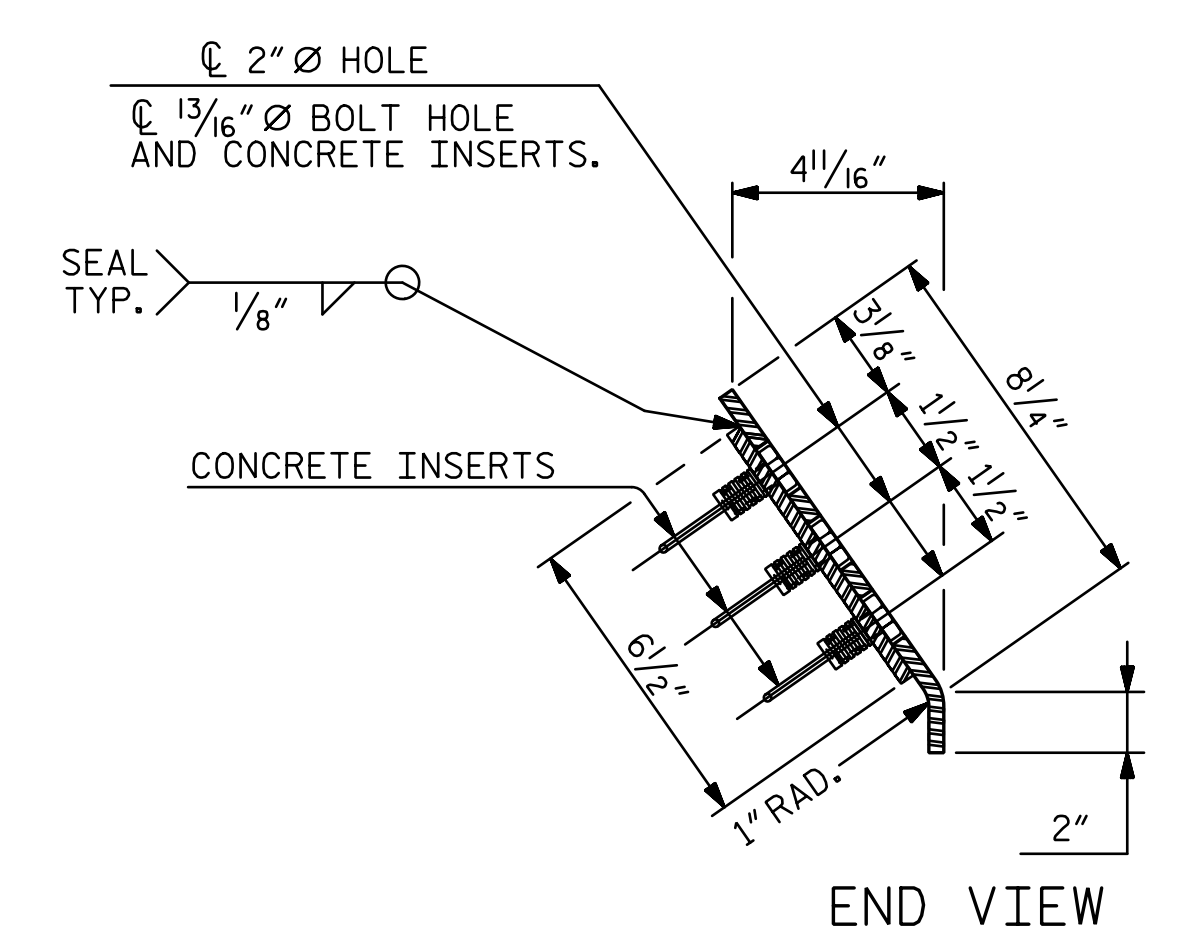
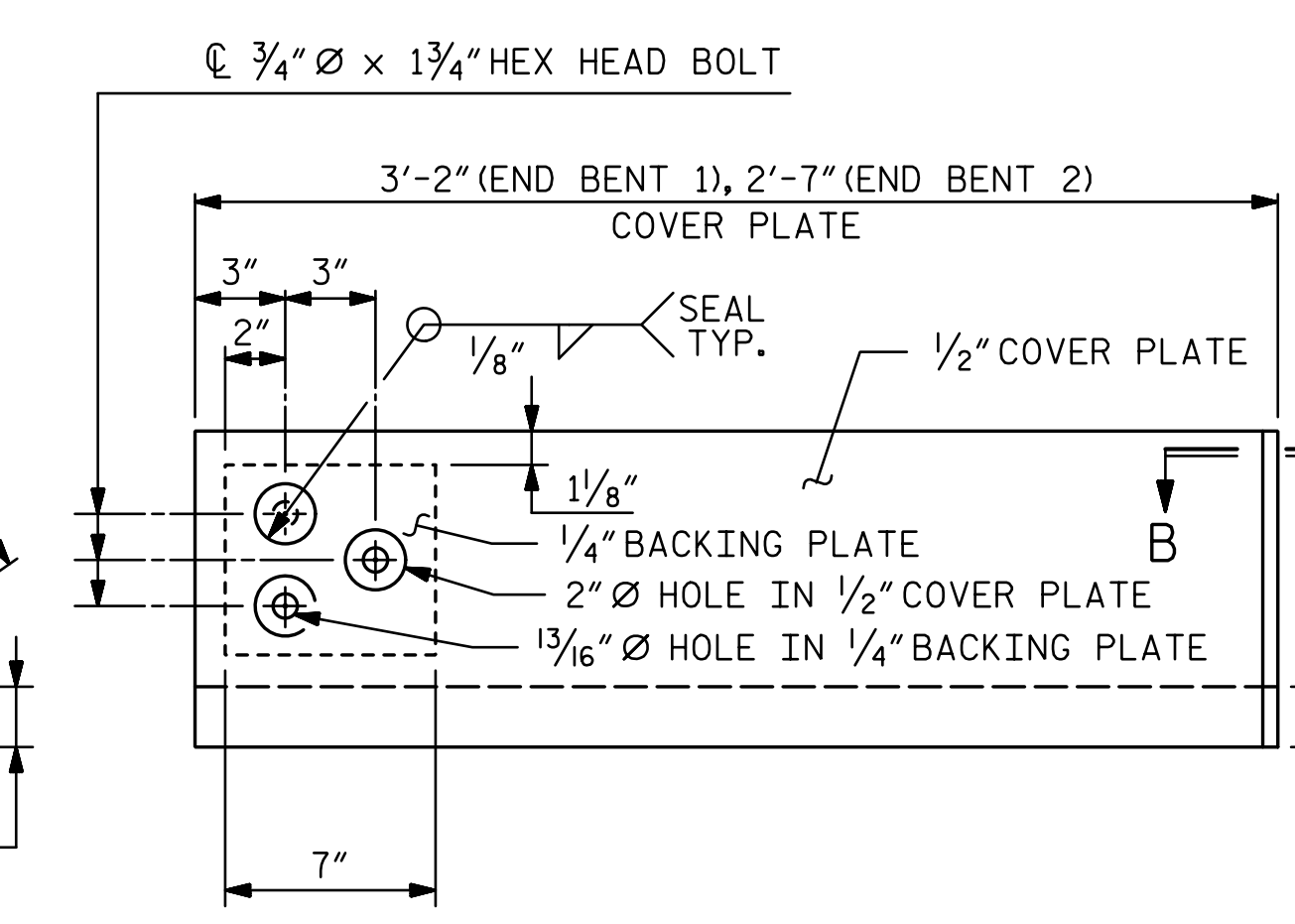


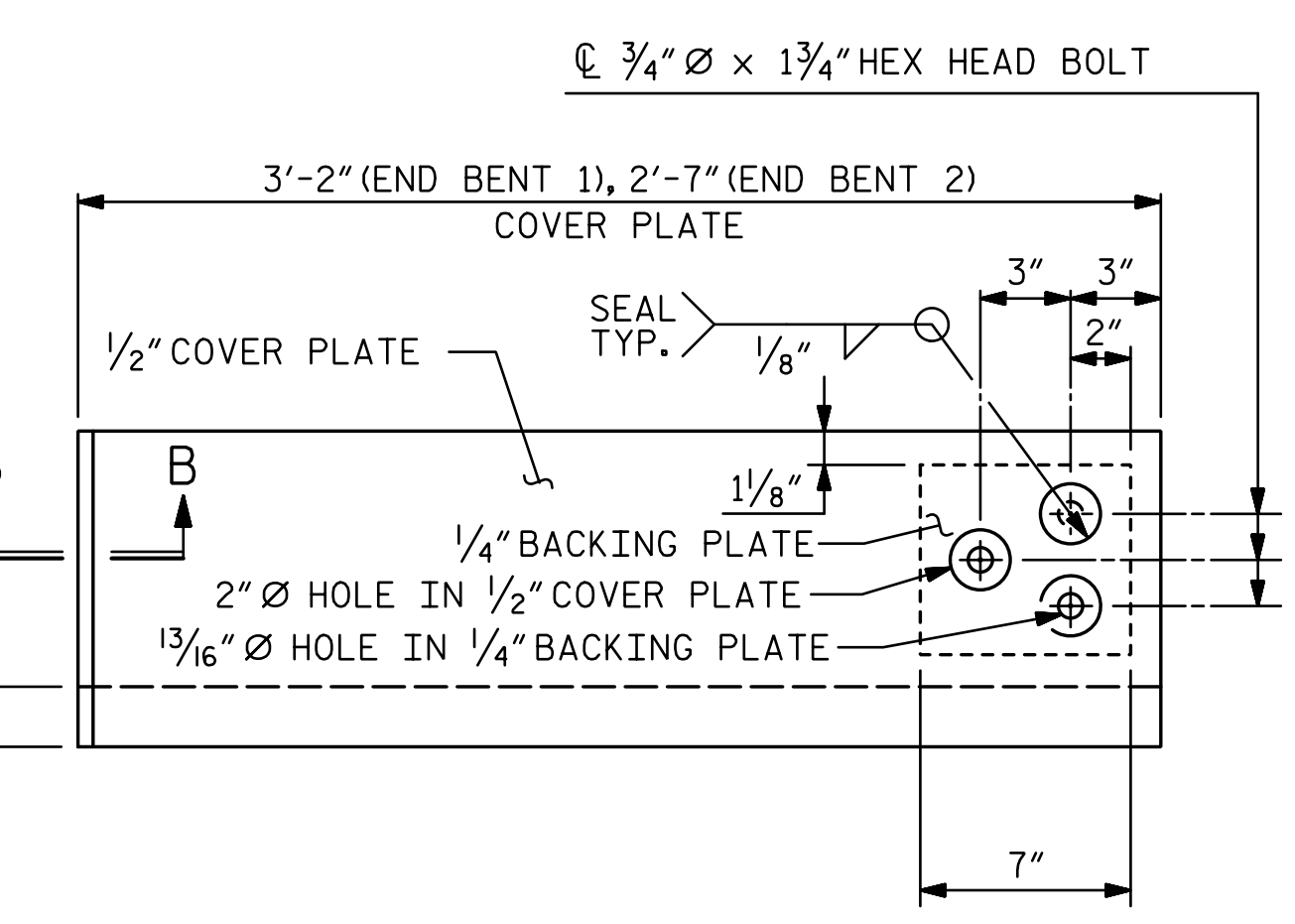
**SECTION THRU RAIL NORMAL TO JOINT**



**END VIEW**

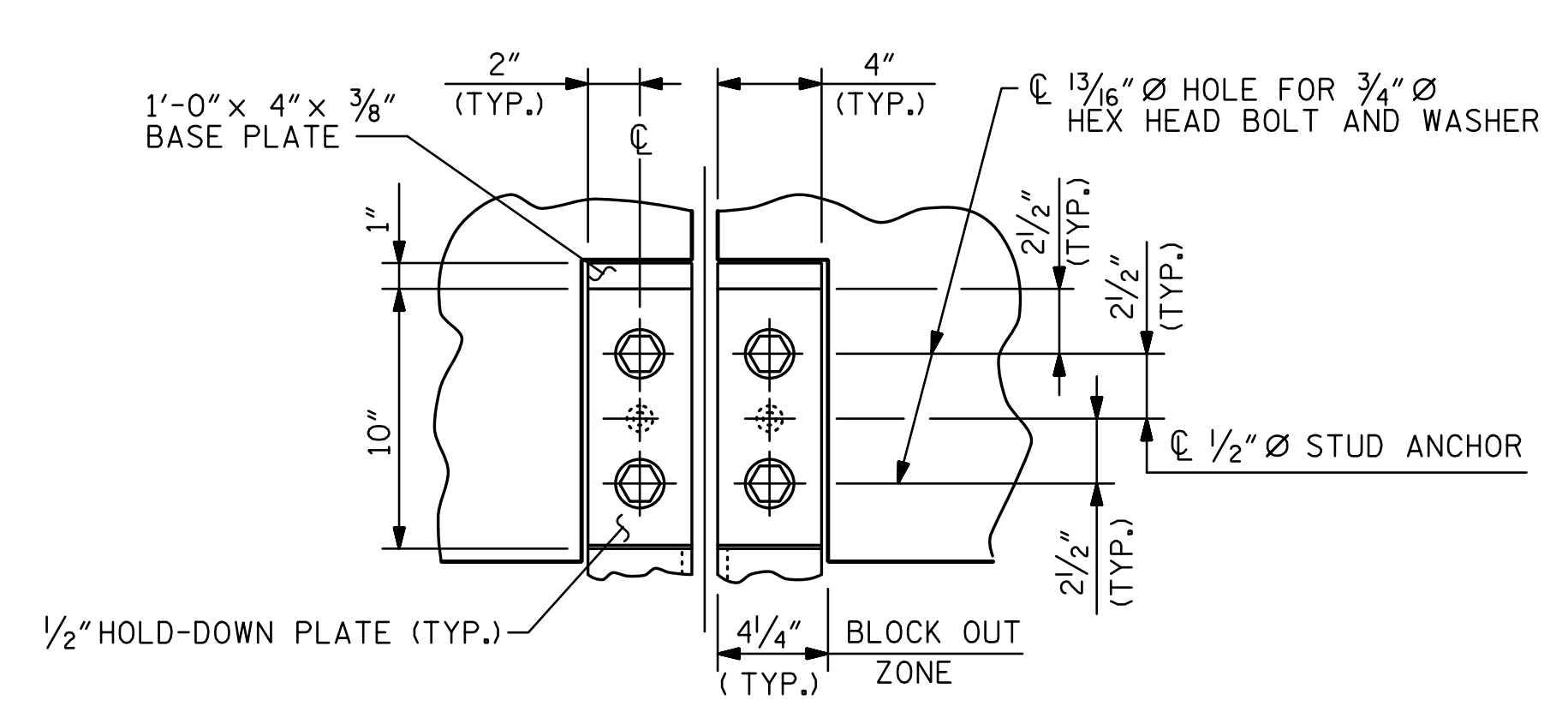


**TYPE I - ELEVATION VIEW**

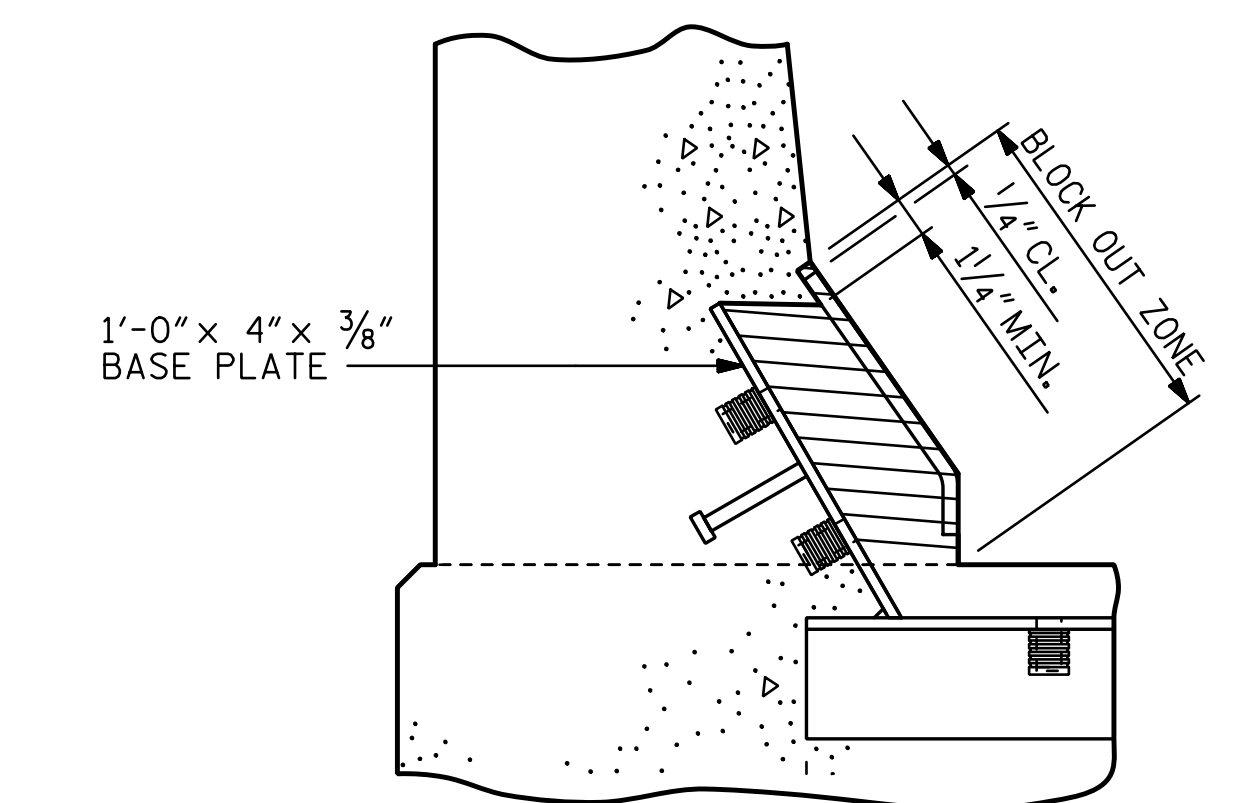


**TYPE II - ELEVATION VIEW**

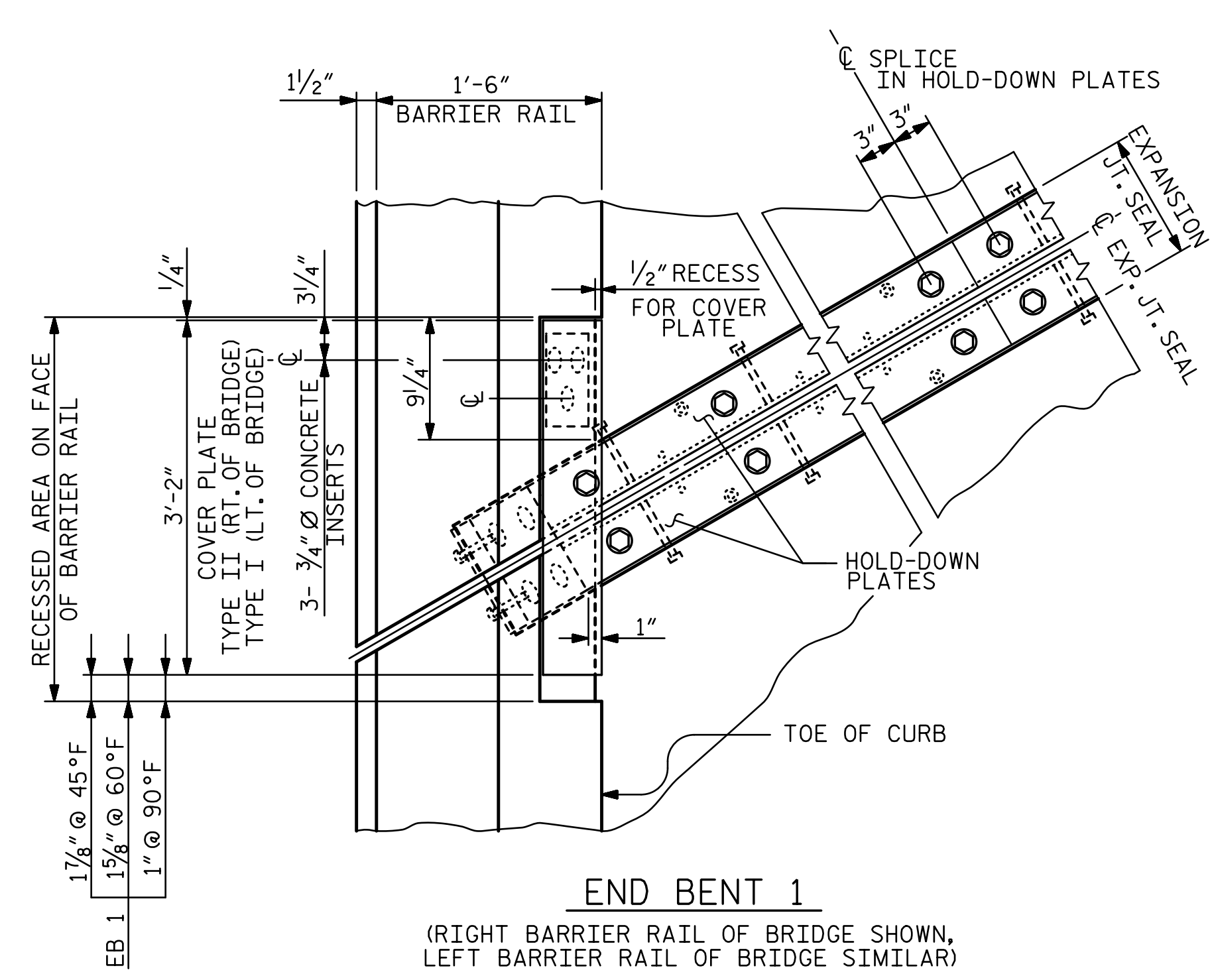
**COVER PLATE DETAILS**



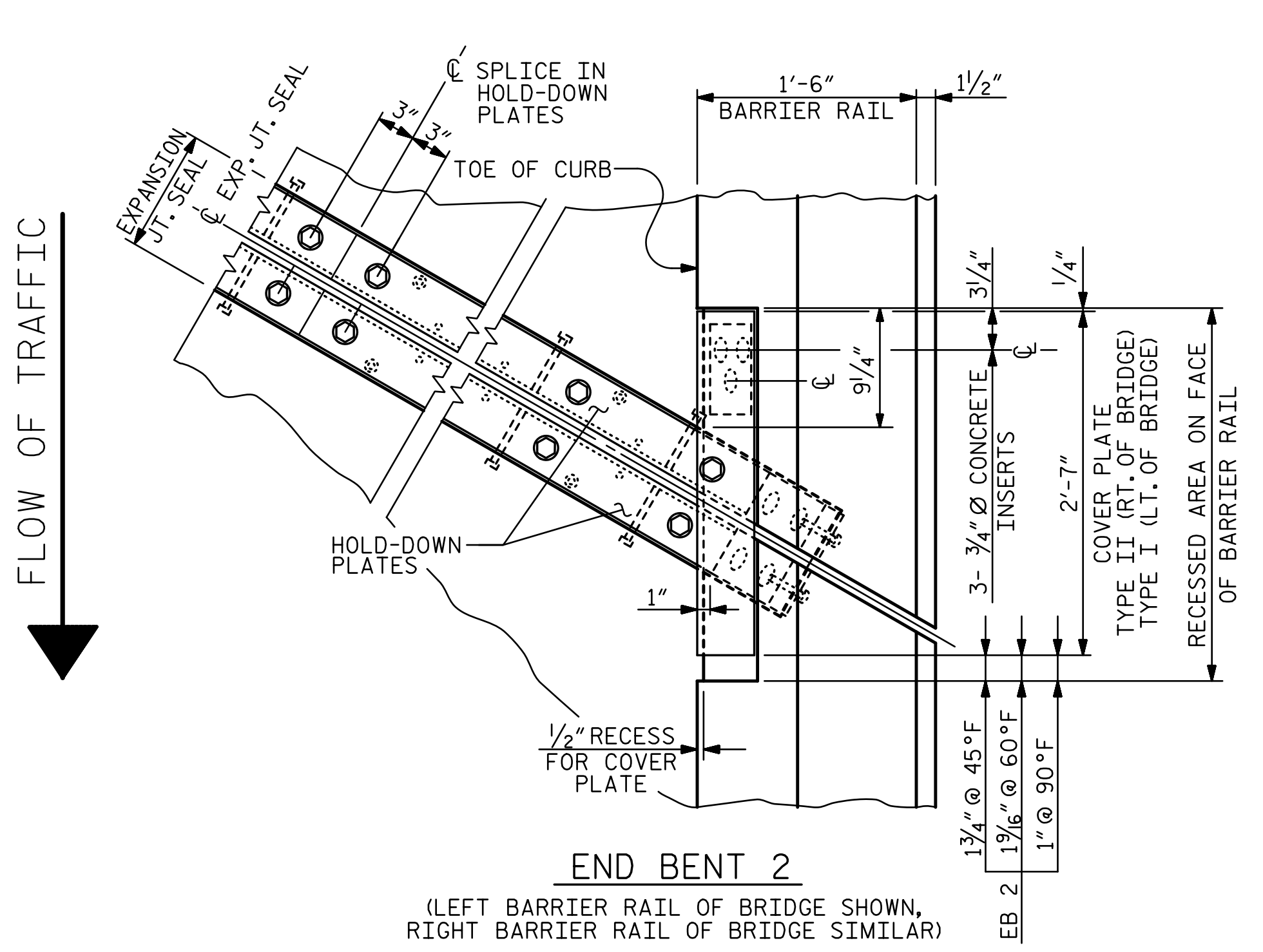
**SECTION A - A**



**BLOCK OUT DETAIL**  
SEE "SECTION A - A" FOR OTHER DETAILS.

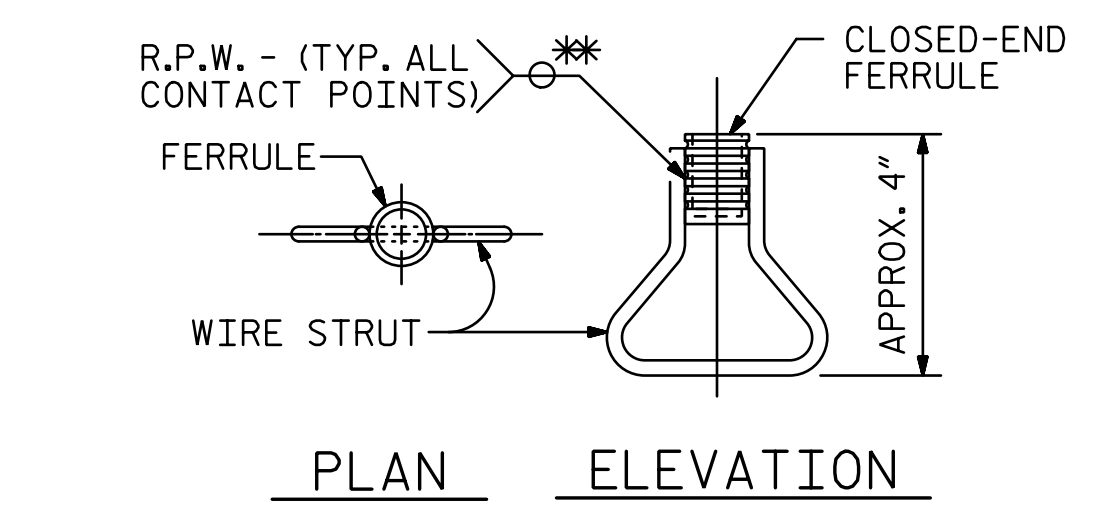


**END BENT 1**  
(RIGHT BARRIER RAIL OF BRIDGE SHOWN, LEFT BARRIER RAIL OF BRIDGE SIMILAR)



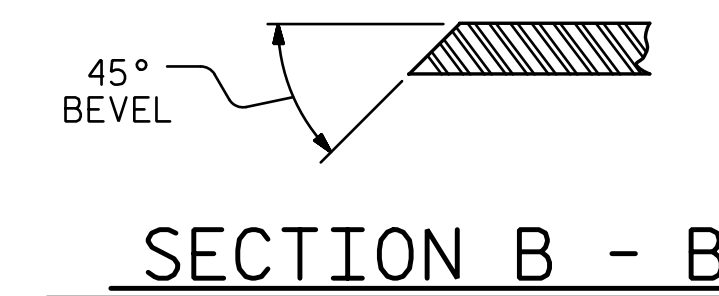
**END BENT 2**  
(LEFT BARRIER RAIL OF BRIDGE SHOWN, RIGHT BARRIER RAIL OF BRIDGE SIMILAR)

**PLAN OF EXPANSION JOINT SEAL**



**CONCRETE INSERT**

\* EACH WELDED ATTACHMENT OF WIRE TO FERRULE SHALL DEVELOP THE TENSILE STRENGTH OF THE WIRE.



**SECTION B - B**

12/13/2016 7:03:35 PM R:\408\_059\_R2707C\_SMLU\_EJ02\_S8-30.dgn

DRAWN BY: <b>VMW</b>	DATE: <b>9-16</b>	DESIGN ENGINEER OF RECORD: <b>V. WU</b>	DATE: <b>10-16</b>
CHECKED BY: <b>TRL</b>	DATE: <b>10-16</b>		

DOCUMENT NOT CONSIDERED FINAL UNLESS ALL SIGNATURES COMPLETED

STATE OF NORTH CAROLINA  
DEPARTMENT OF TRANSPORTATION  
RALEIGH

**SUPERSTRUCTURE**

**EXPANSION JOINT SEAL DETAILS FOR BARRIER RAIL**

(SITE 6R)

REVISIONS				SHEET NO.	
NO.	BY:	DATE:	NO.	BY:	DATE:
1			3		
2			4		

PROJECT NO. **R-2707C**

**CLEVELAND** COUNTY

STATION: **596+50.98 -L-**

SHEET 2 OF 2

SHEET NO. **S8-30**

TOTAL SHEETS **44**