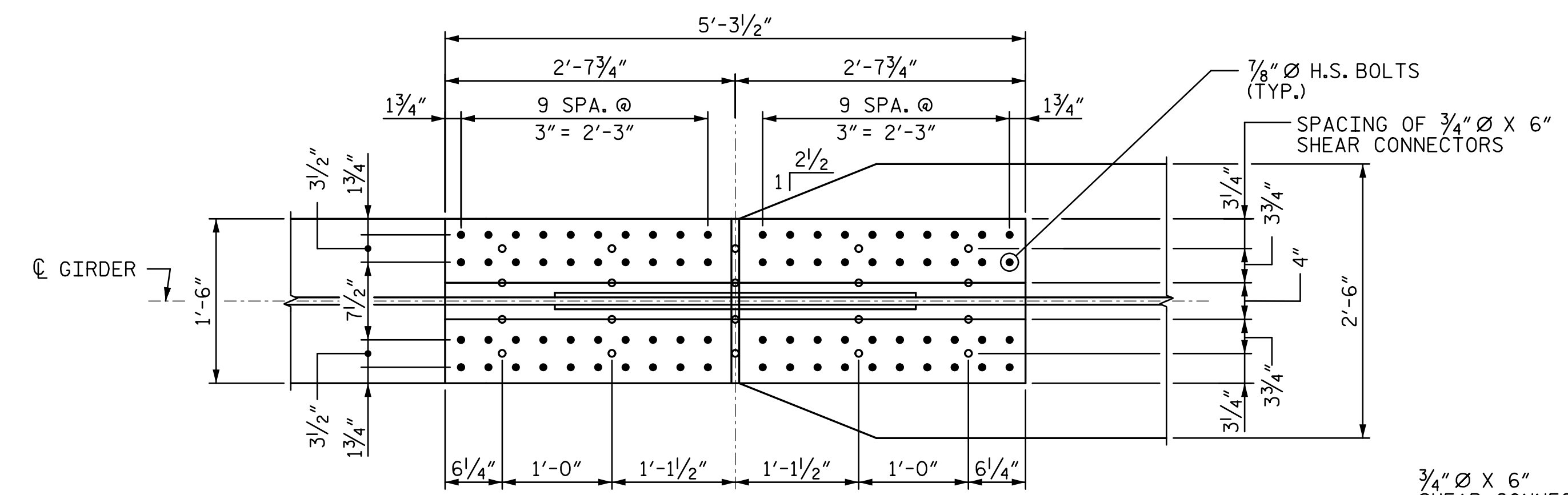
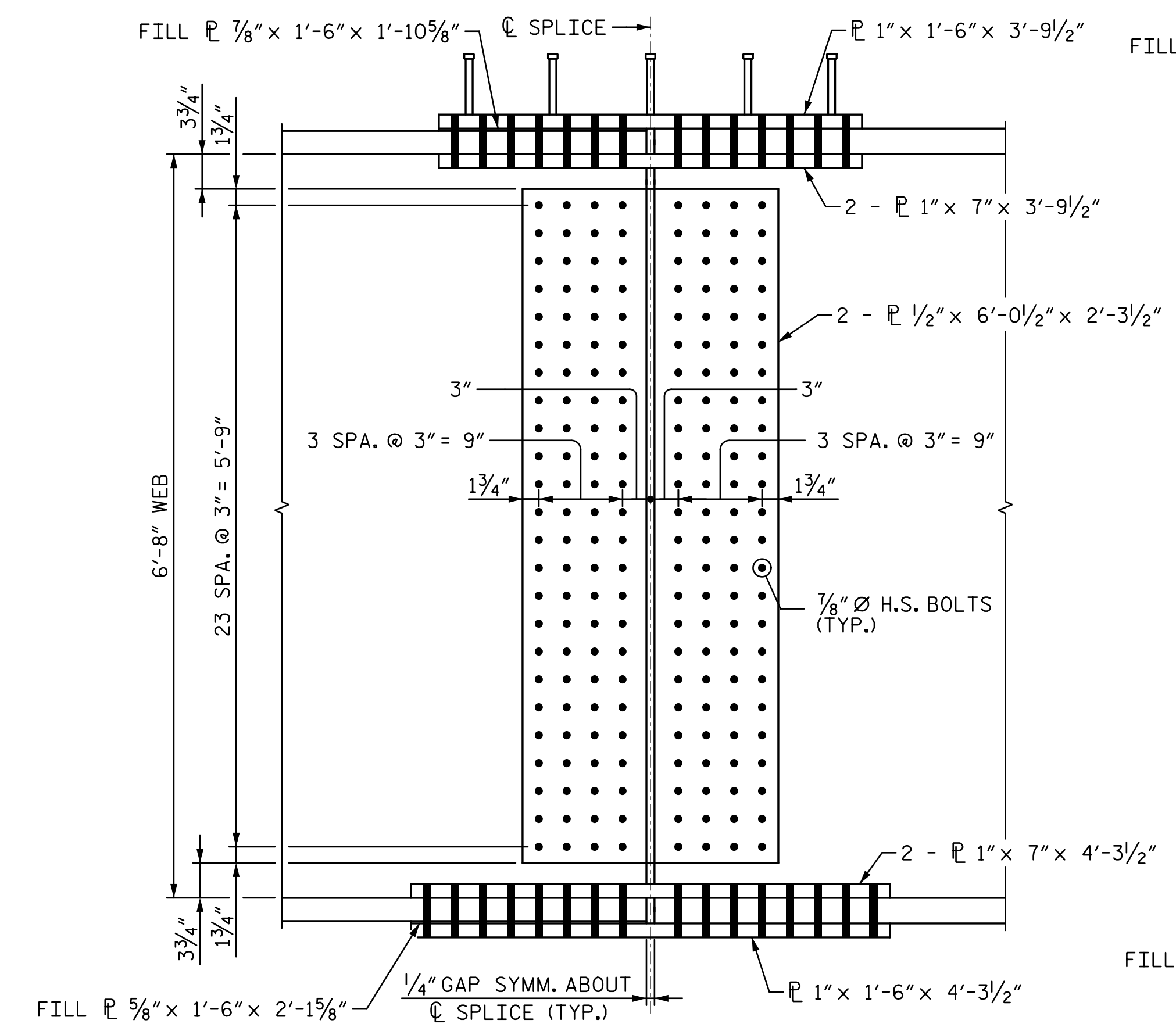


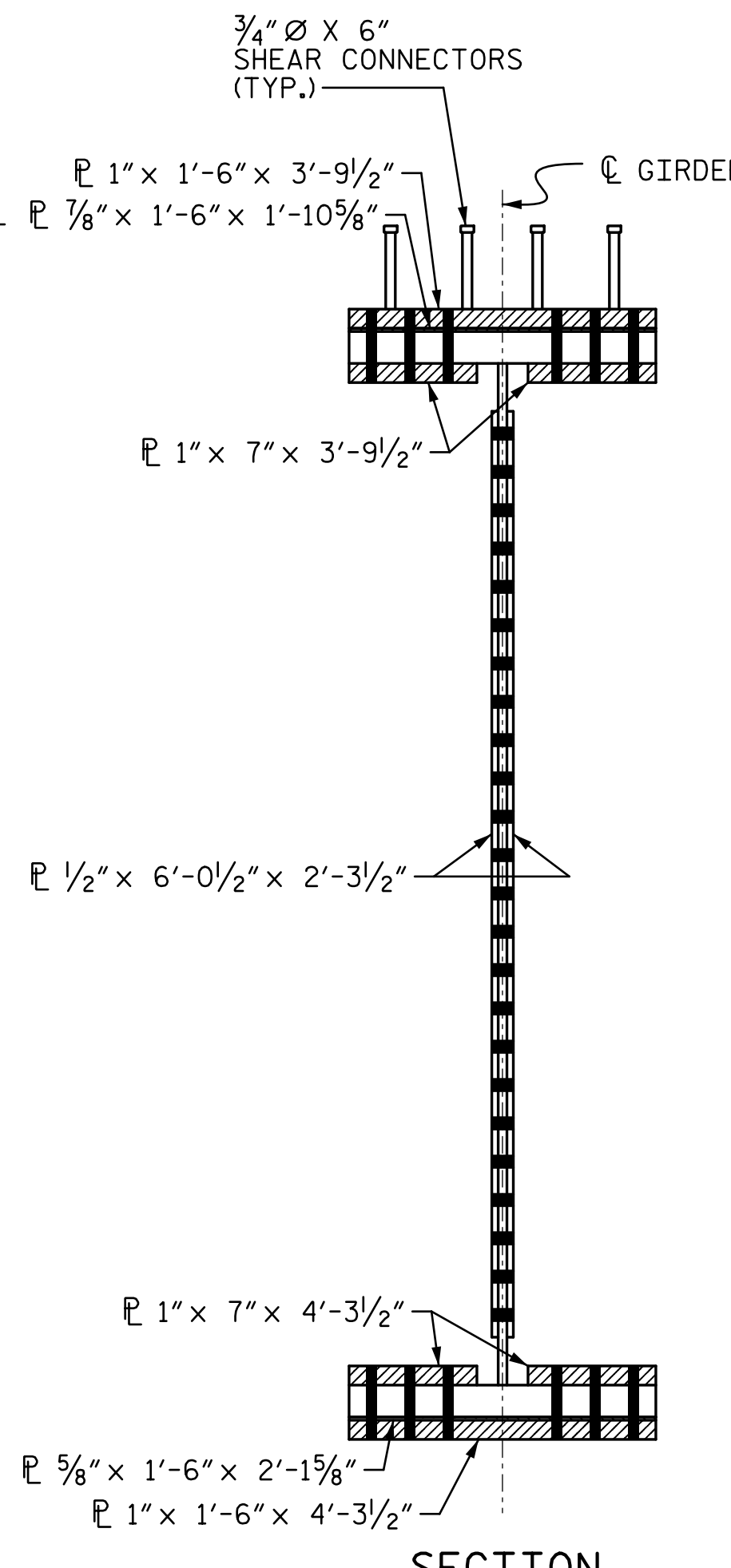
PLAN - TOP FLANGE



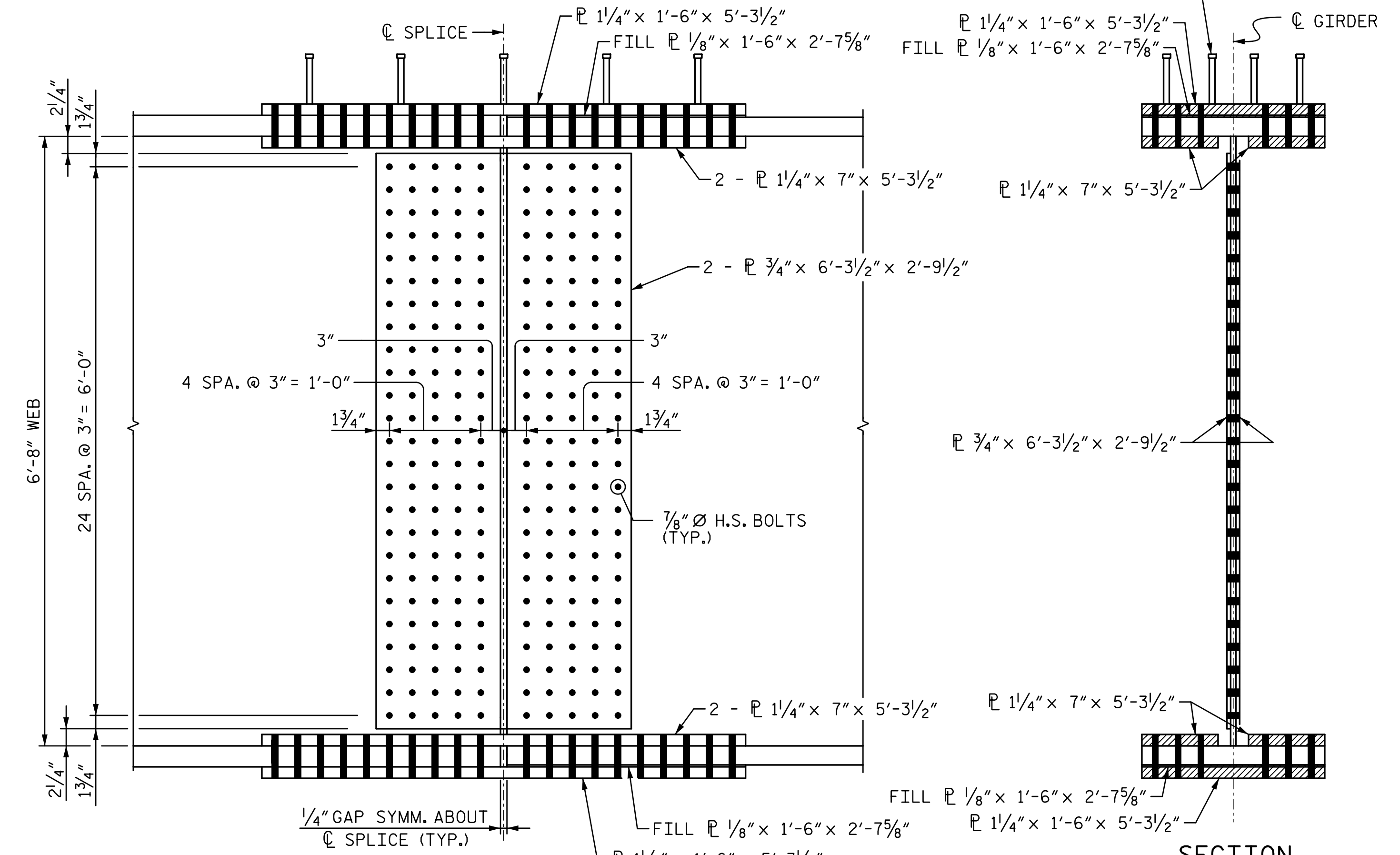
PLAN - TOP FLANGE



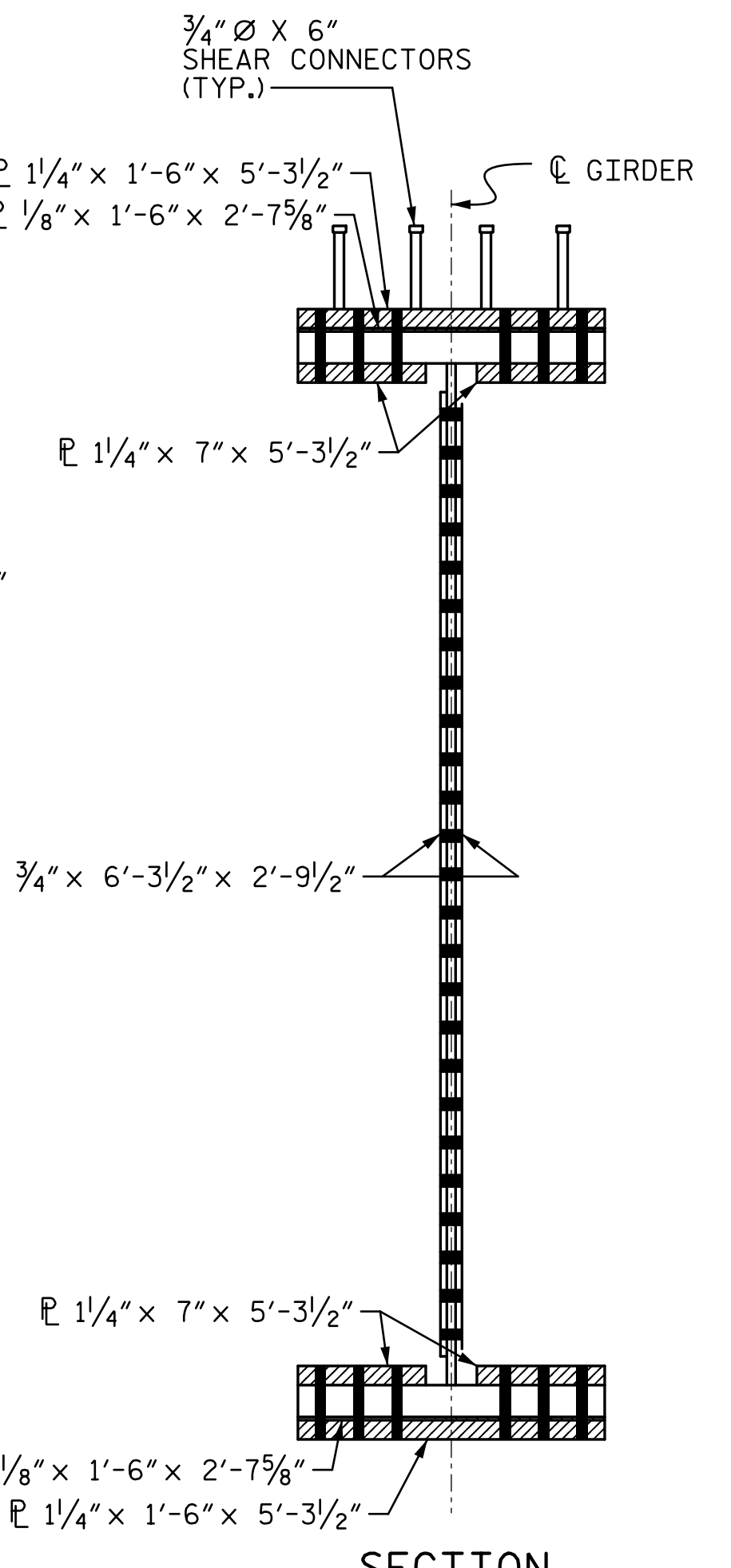
ELEVATION



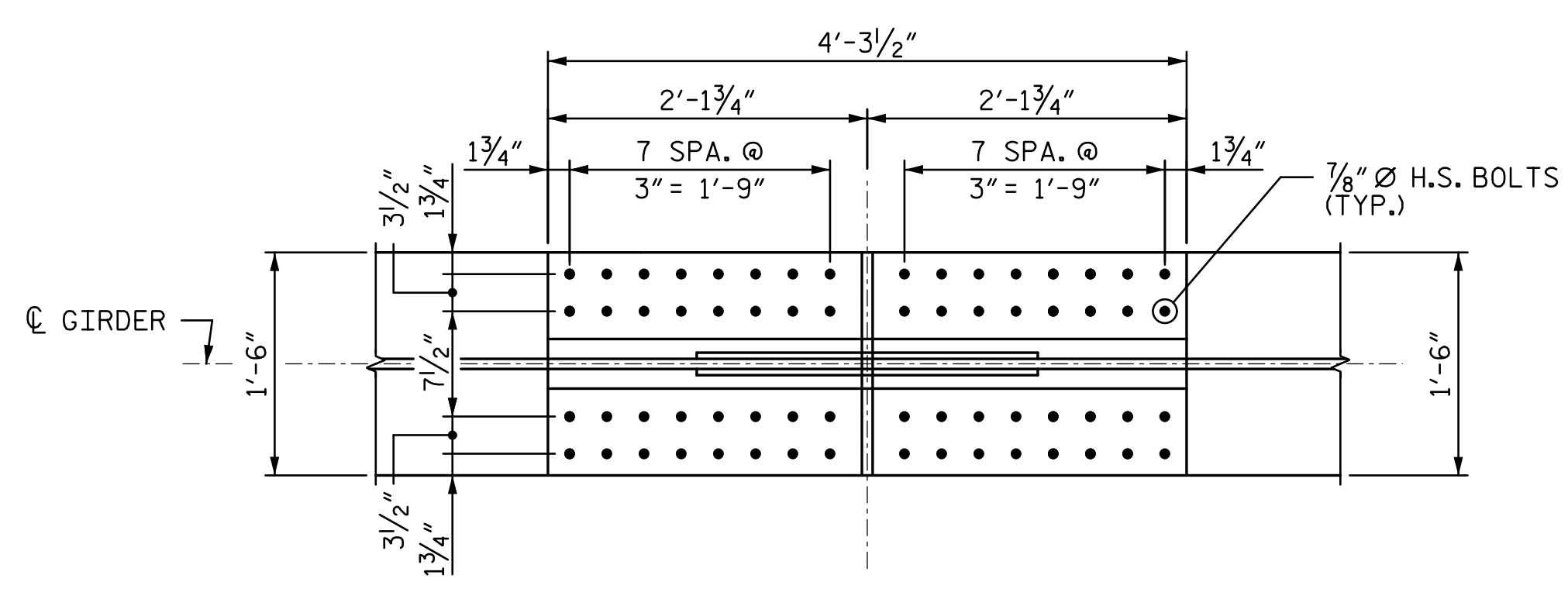
SECTION



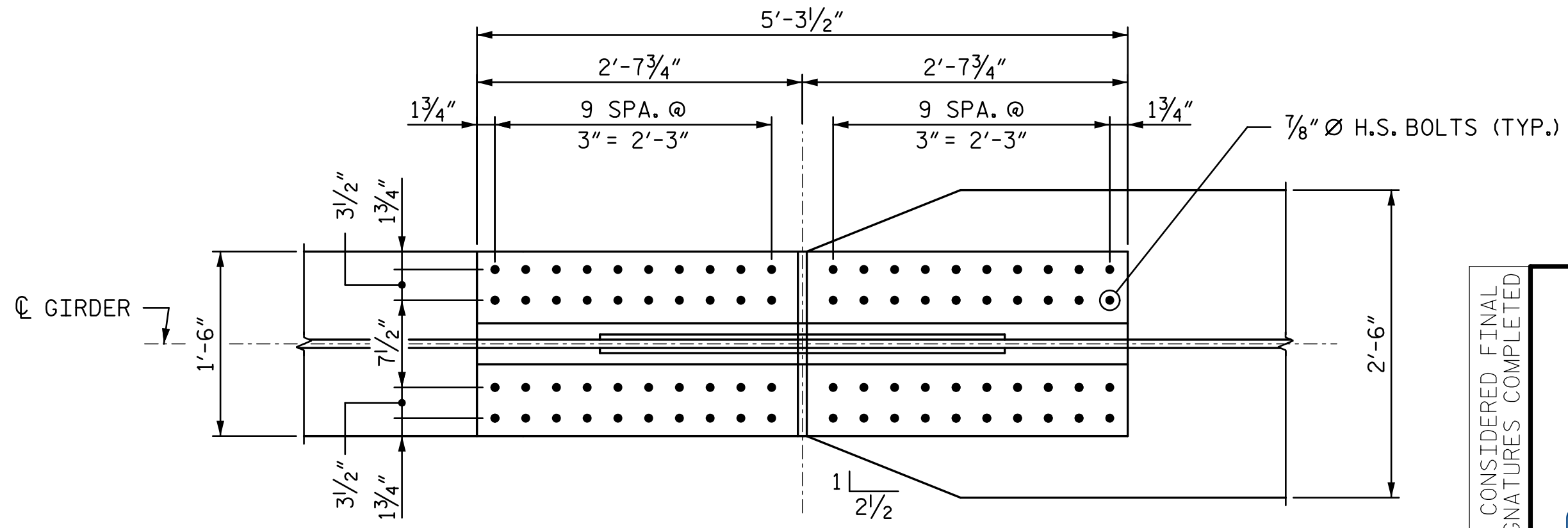
ELEVATION



SECTION



PLAN - BOTTOM FLANGE
BOLTED FIELD SPLICE III



PLAN - BOTTOM FLANGE
BOLTED FIELD SPLICE IV

PROJECT NO. R-2707C
CLEVELAND COUNTY
 STATION: 596+50.98 -L-
 SHEET 7 OF 8

DOCUMENT NOT CONSIDERED FINAL UNLESS ALL SIGNATURES COMPLETED

Seal of a North Carolina Professional Engineer, License No. 40317, signed by Tony R. Laws, Jr. on 12/13/2016.

STATE OF NORTH CAROLINA
 DEPARTMENT OF TRANSPORTATION
 RALEIGH
 SUPERSTRUCTURE
 STRUCTURAL STEEL
 BOLTED FIELD SPLICE
 III & IV
 (SITE 6R)

REVISIONS			
NO.	BY:	DATE:	NO.
1			3
2			4

SHEET NO. S8-19
 TOTAL SHEETS 44

12/13/2016 7:03:30 PM R:\408_037_R2707C_SML_SSD07_S8-19.dgn

DRAWN BY: VMW DATE: 10-16
 CHECKED BY: TRL DATE: 10-16
 DESIGN ENGINEER OF RECORD: V. WU DATE: 10-16