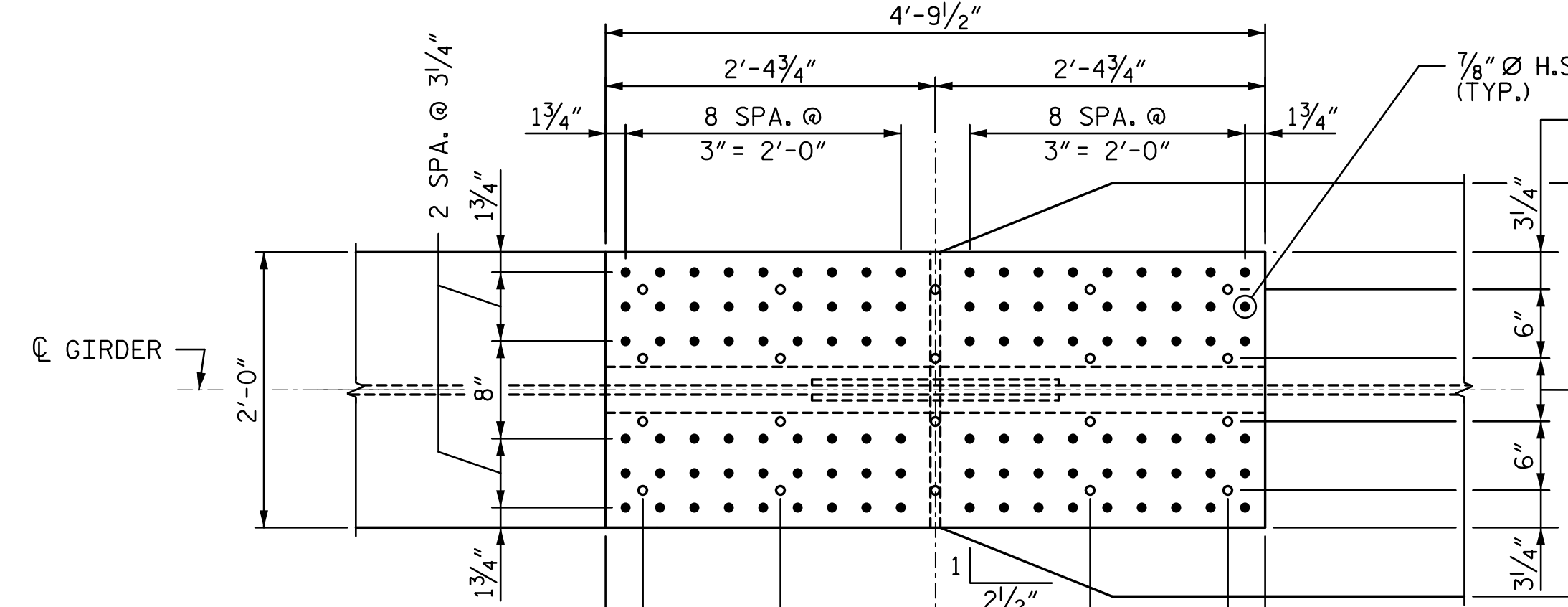
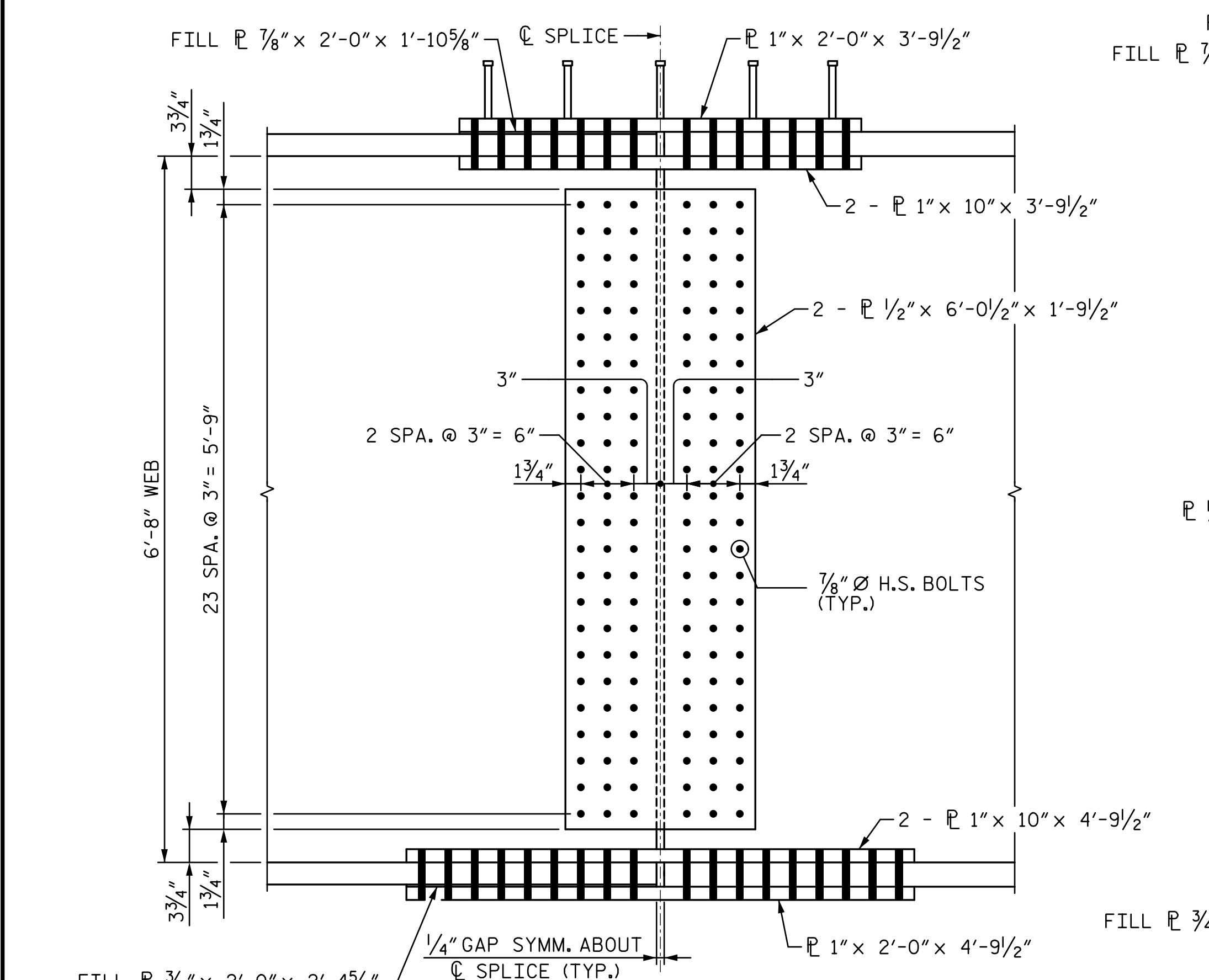


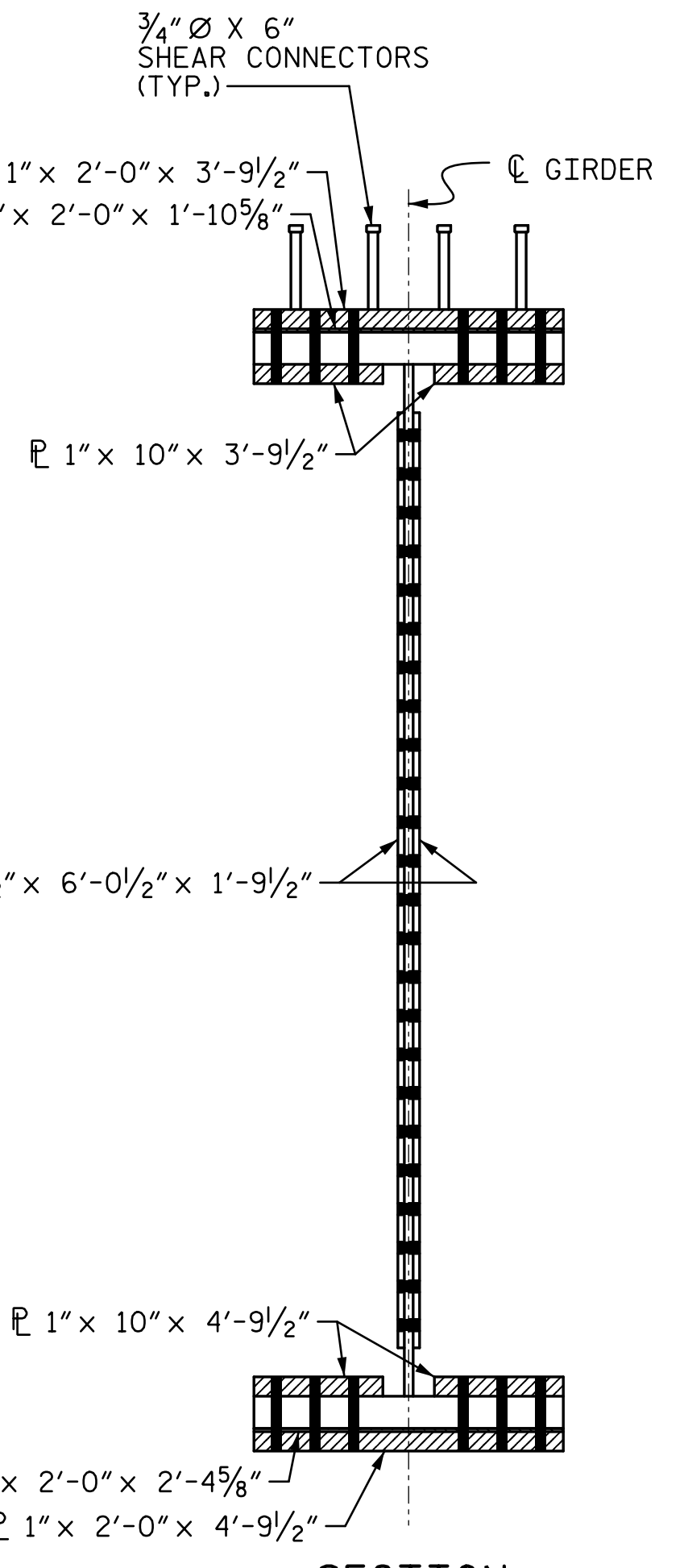
PLAN - TOP FLANGE



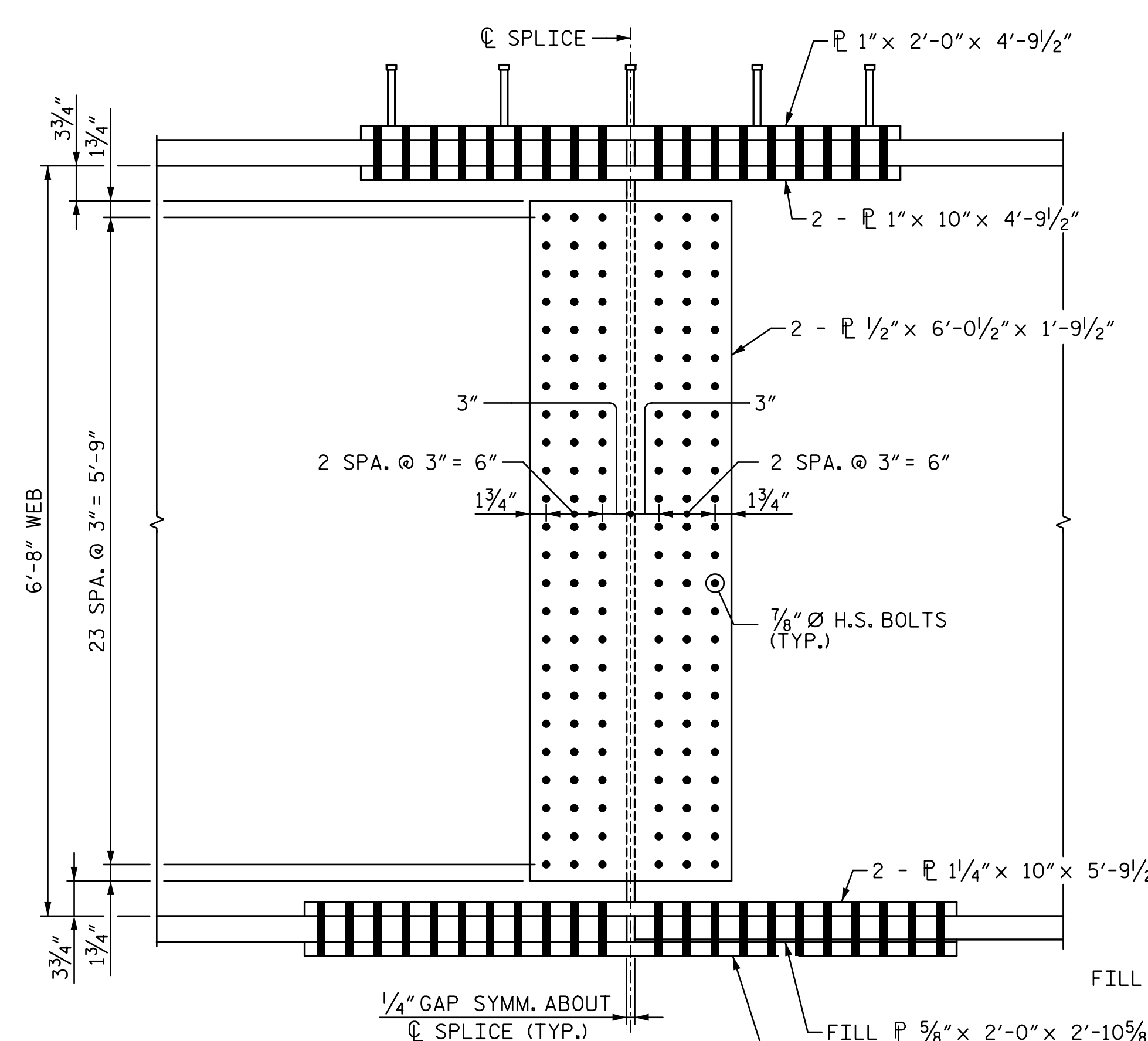
PLAN - TOP FLANGE



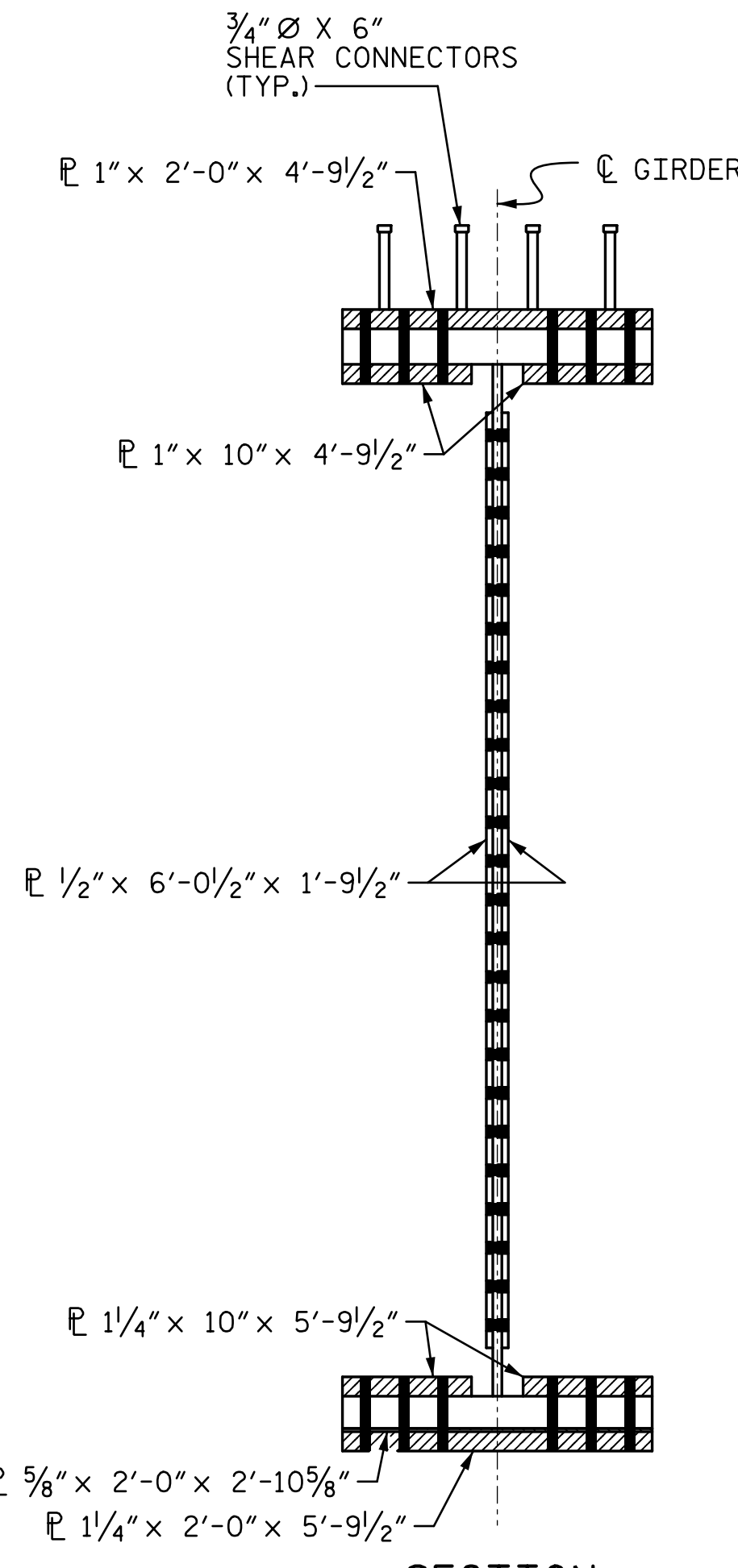
ELEVATION



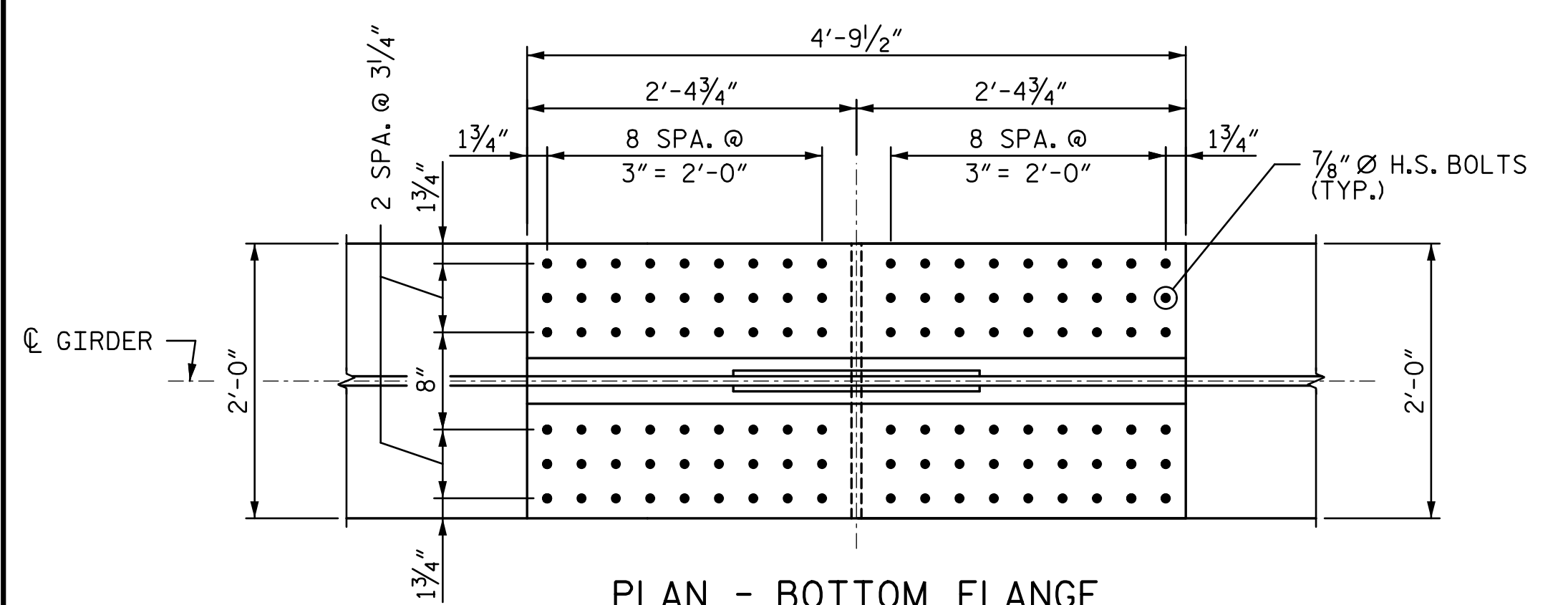
SECTION



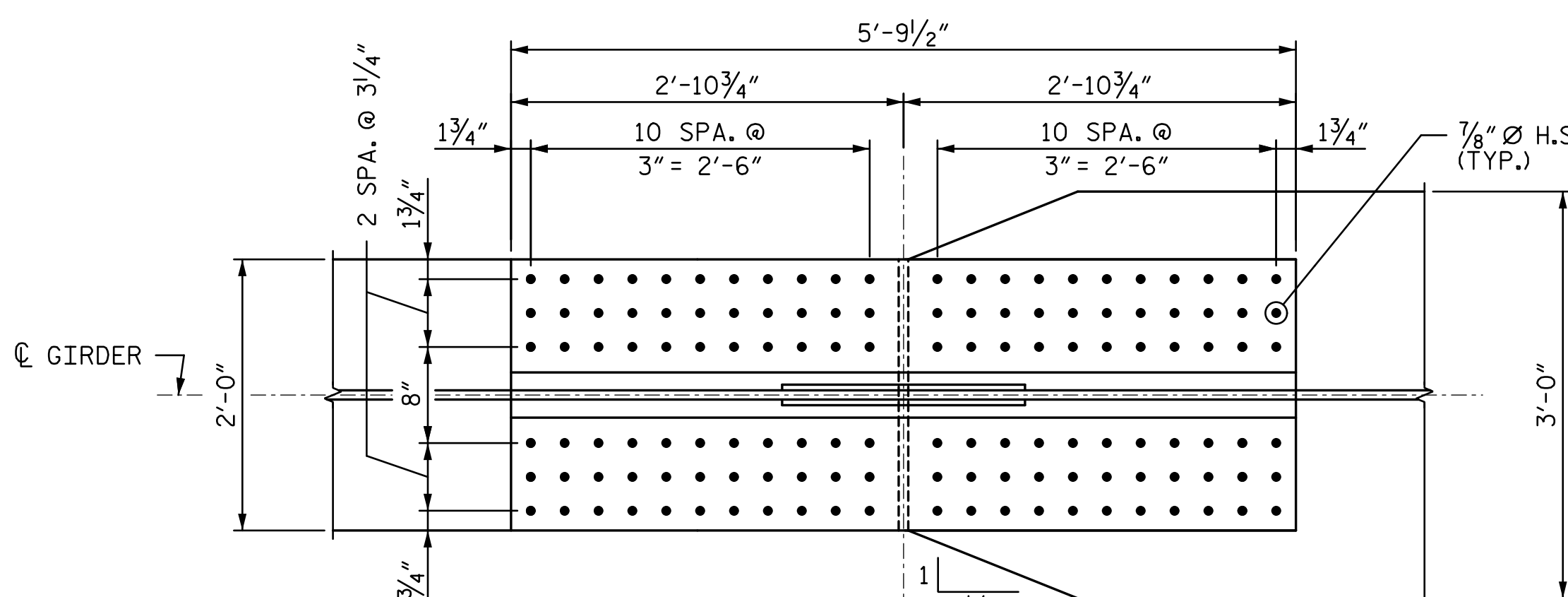
ELEVATION



SECTION



PLAN - BOTTOM FLANGE



PLAN - BOTTOM FLANGE

BOLTED FIELD SPLICE II

PROJECT NO. R-2707C
CLEVELAND COUNTY
 STATION: 596+50.98 -L-
 SHEET 6 OF 8

DOCUMENT NOT CONSIDERED FINAL UNLESS ALL SIGNATURES COMPLETED

Seal of North Carolina Professional Engineer
 SEAL 40317
 ENGINEER
 TONY R. LAWS, JR.
 12/13/2016

STATE OF NORTH CAROLINA DEPARTMENT OF TRANSPORTATION RALEIGH		SUPERSTRUCTURE STRUCTURAL STEEL BOLTED FIELD SPLICE I & II (SITE 6R)	
REVISIONS			
NO.	BY:	DATE:	NO.
1			3
2			4
SHEET NO. S8-18			TOTAL SHEETS 44

DRAWN BY: <u>VMW</u>	DATE: <u>10-16</u>	DESIGN ENGINEER OF RECORD: <u>V. WU</u>	DATE: <u>10-16</u>
CHECKED BY: <u>TRL</u>	DATE: <u>10-16</u>		

12/13/2016 7:03:29 PM R:\408_035_R2707C_SMU_SSD06_S8-18.dgn