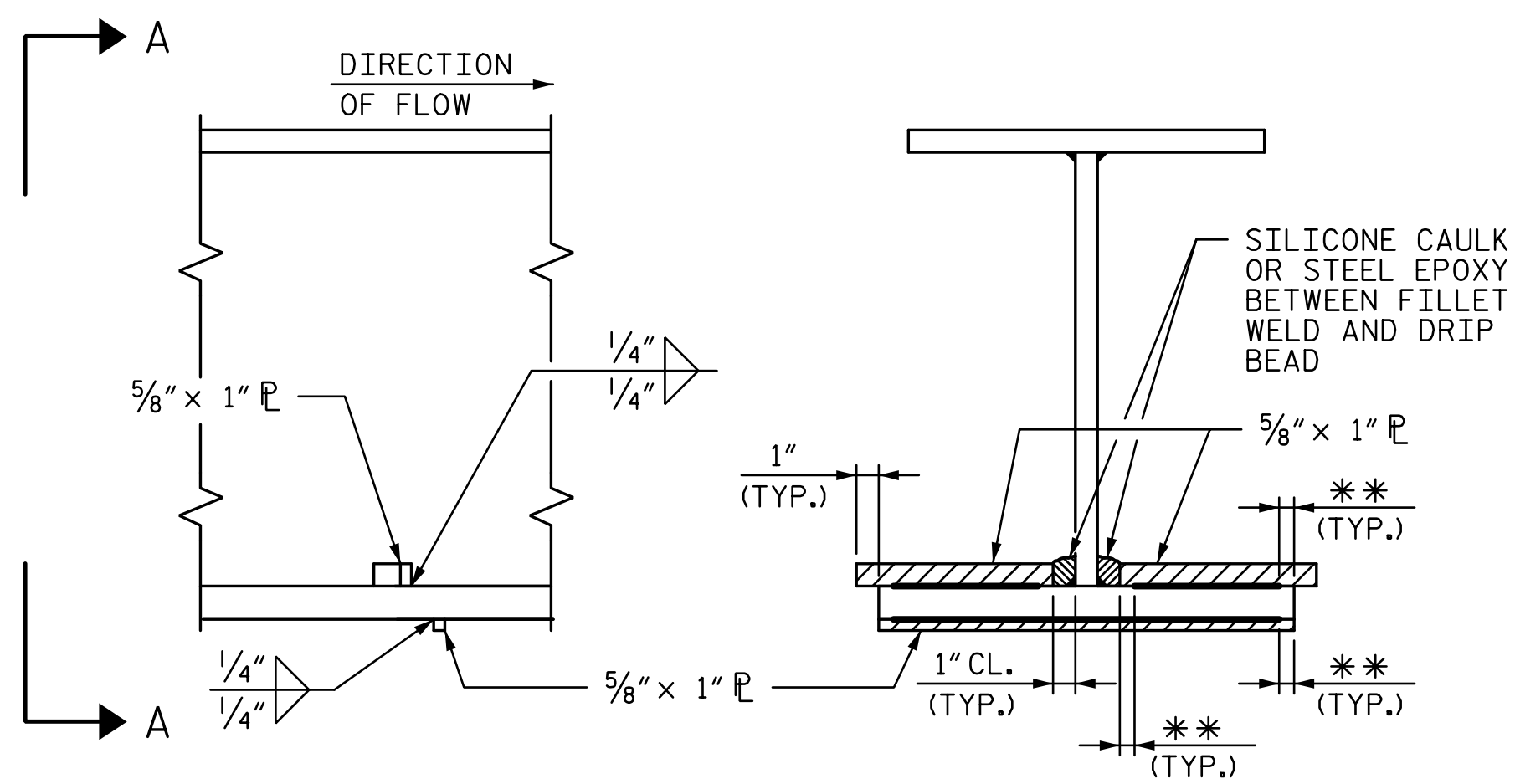


PART PLAN - BOTTOM FLANGE SCHEMATIC

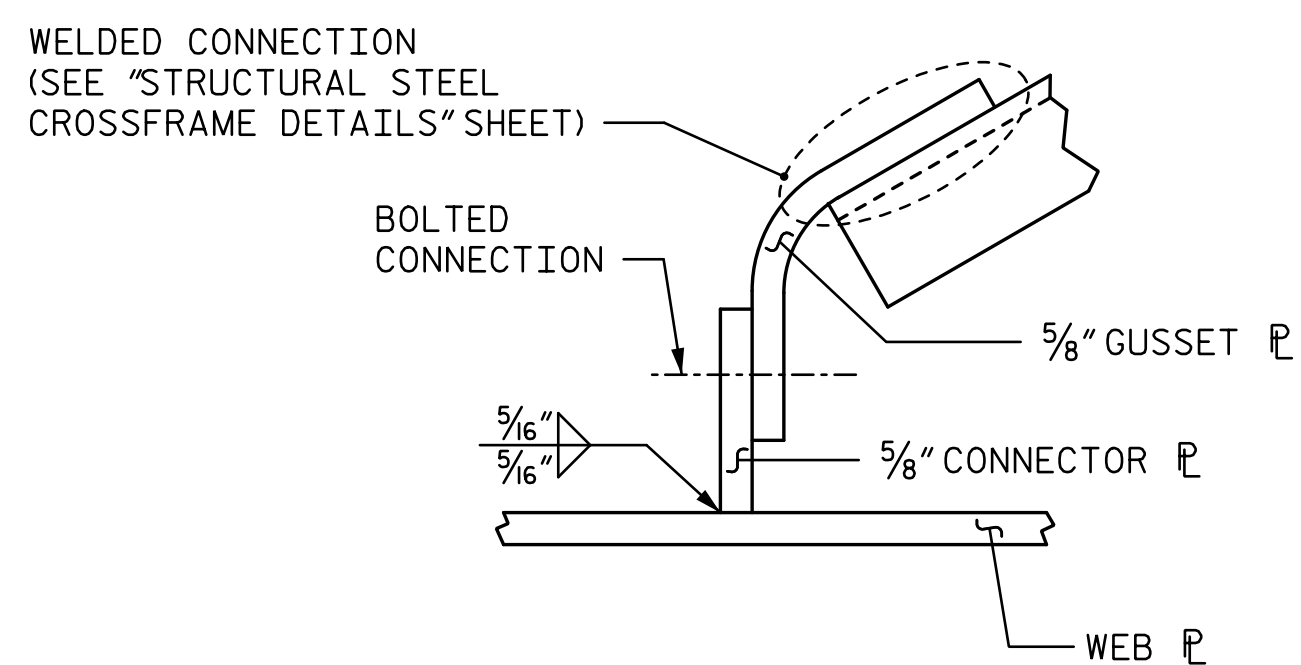


SECTION

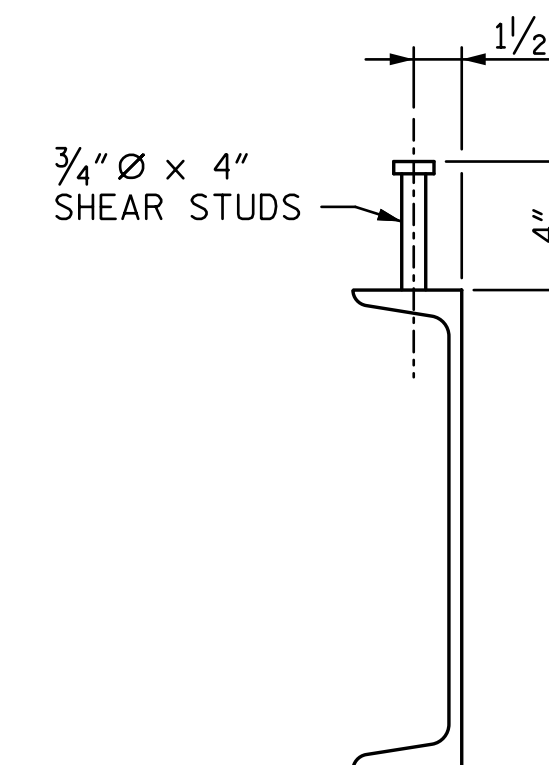
VIEW A-A

** SEE "WELD TERMINATION DETAILS" ON SHEET 4 OF 8

DRIP BEAD DETAILS



WELD DETAIL FOR CURVED GUSSET



END CROSSFRAME SHEAR STUD DETAILS

12/13/2016 7:03:28 PM R:\408_033_R2707C-SMU_SSD05_S8-17.dgn avevac

PROJECT NO. R-2707C
CLEVELAND COUNTY
 STATION: 596+50.98 -L-
 SHEET 5 OF 8

DOCUMENT NOT CONSIDERED FINAL UNLESS ALL SIGNATURES COMPLETED	<p>DocuSigned by: Tony R. Laws, Jr. CARCE06FB76AF7 12/13/2016</p>	STATE OF NORTH CAROLINA DEPARTMENT OF TRANSPORTATION RALEIGH SUPERSTRUCTURE STRUCTURAL STEEL DETAILS (SITE 6R)		SHEET NO. SB-17 TOTAL SHEETS 44	
		REVISIONS			
		NO.	BY:	DATE:	NO.
1			3		
2			4		

DRAWN BY : <u>VMW</u>	DATE : <u>10-16</u>	DESIGN ENGINEER OF RECORD : <u>V. WU</u>	DATE : <u>10-16</u>
CHECKED BY : <u>TRL</u>	DATE : <u>10-16</u>		