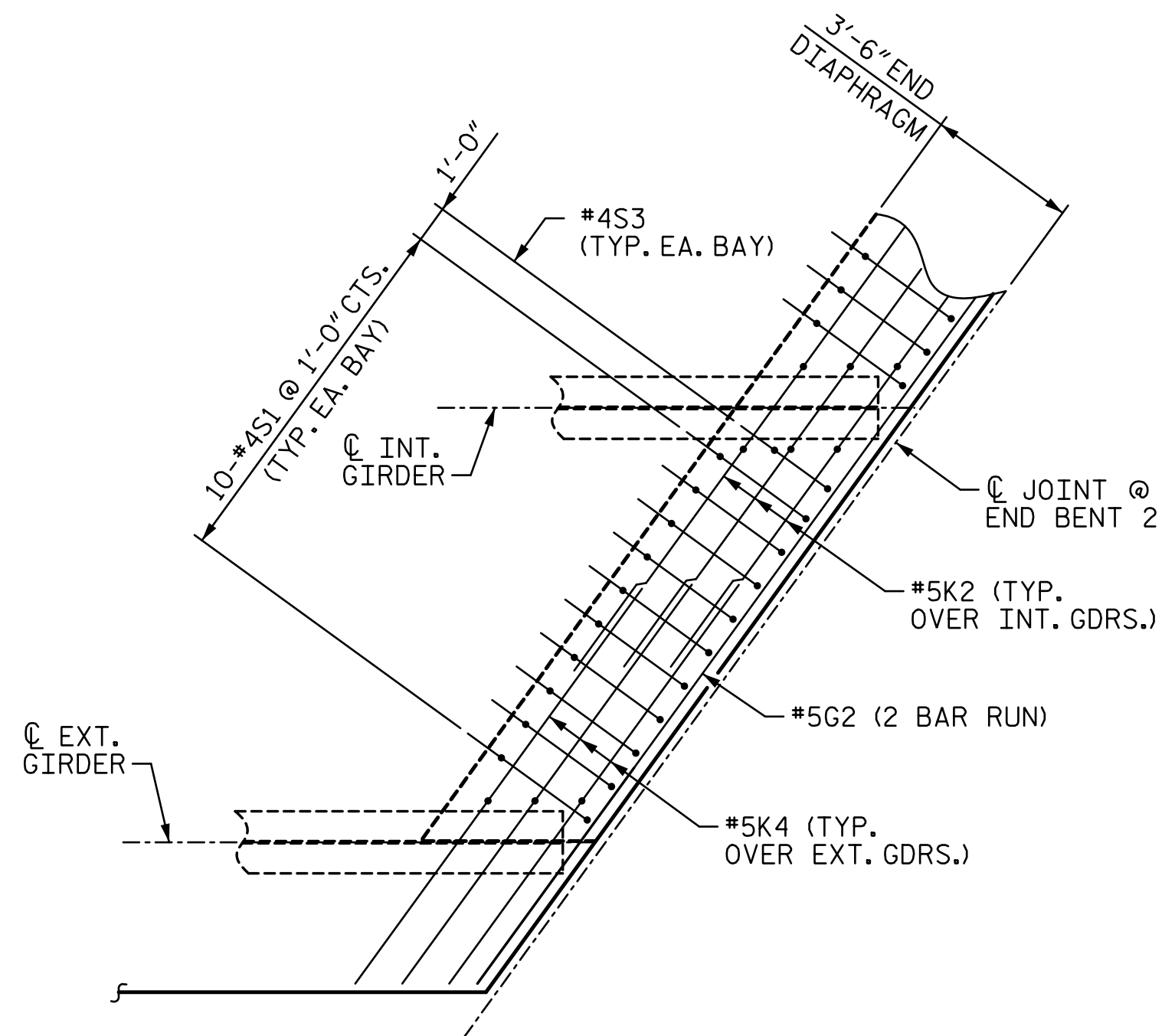
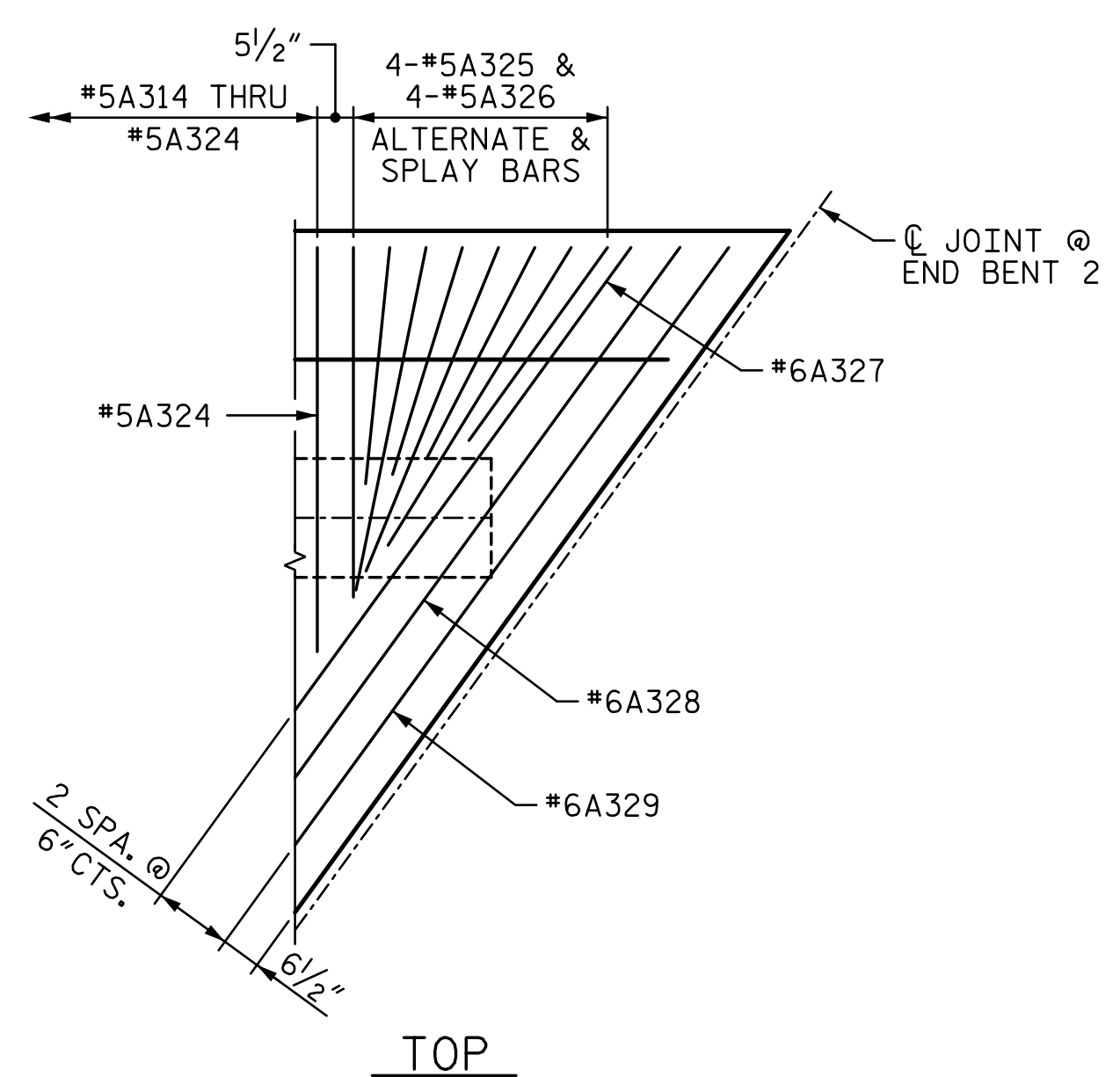


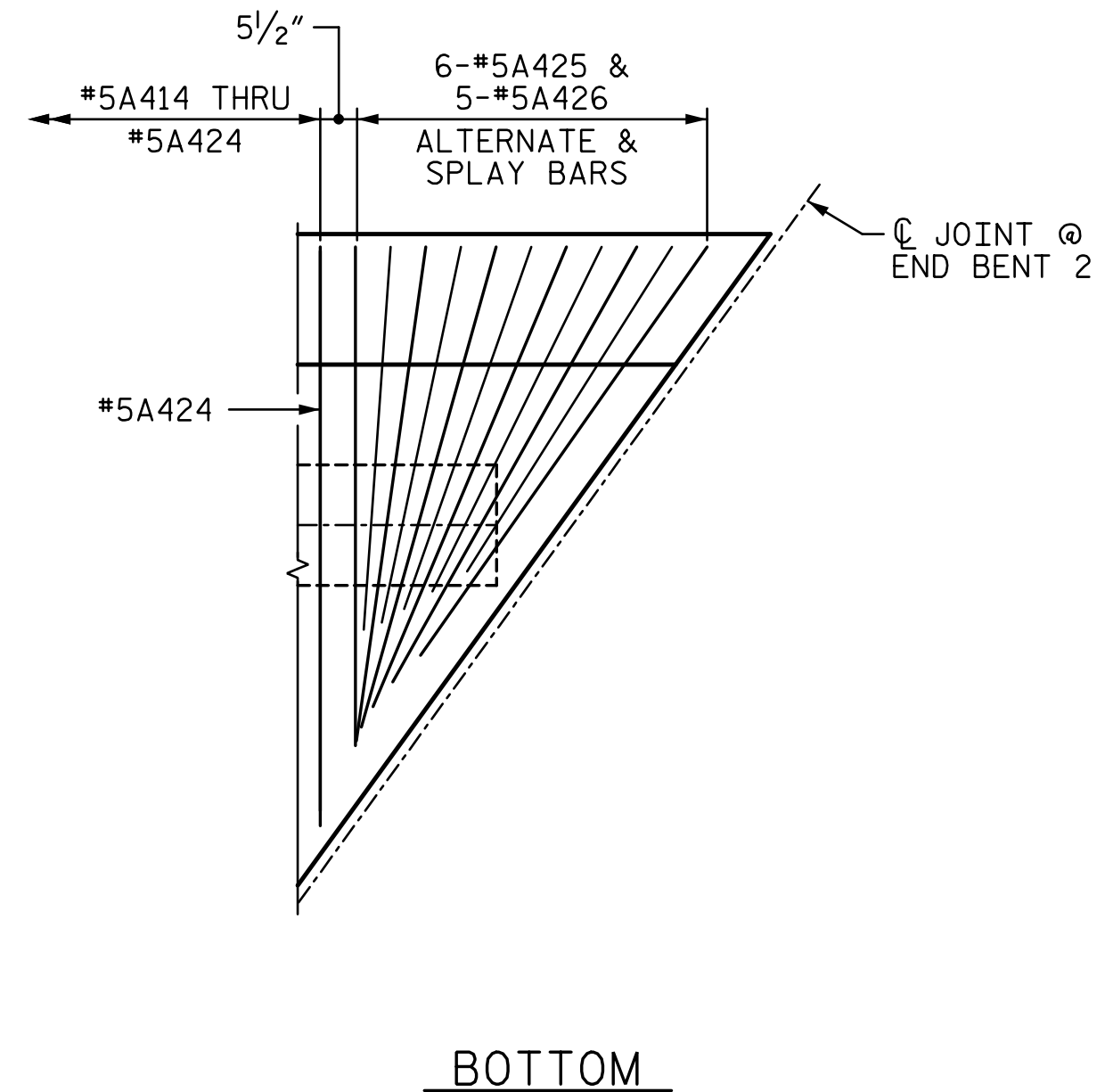
PLAN



DETAIL "B"
END DIAPHRAGM AT END BENT 2



CORNER DETAIL 2
(B" BARS NOT SHOWN FOR CLARITY)



BOTTOM

PROJECT NO. R-2707C
 CLEVELAND COUNTY
 STATION: 596+50.98 -L-
 SHEET 3 OF 3

DOCUMENT NOT CONSIDERED FINAL UNLESS ALL SIGNATURES COMPLETED	<p>DocuSigned by: Tony R. Laws, Jr. CARCE06FB76AF7 12/13/2016</p>	STATE OF NORTH CAROLINA DEPARTMENT OF TRANSPORTATION RALEIGH		SUPERSTRUCTURE PLAN OF SPANS		SHEET NO. S8-10 TOTAL SHEETS 44		
		(SITE 6R)						
		REVISIONS						
		NO.	BY:	DATE:	NO.		BY:	DATE:
1			3					
2			4					

12/13/2016 7:03:25 PM R:\408_019_R2707C_SML_POS03_S8-10.dgn

DRAWN BY: ATH	DATE: 9-16	DESIGN ENGINEER OF RECORD: V. WU	DATE: 10-16
CHECKED BY: AJP	DATE: 10-16		