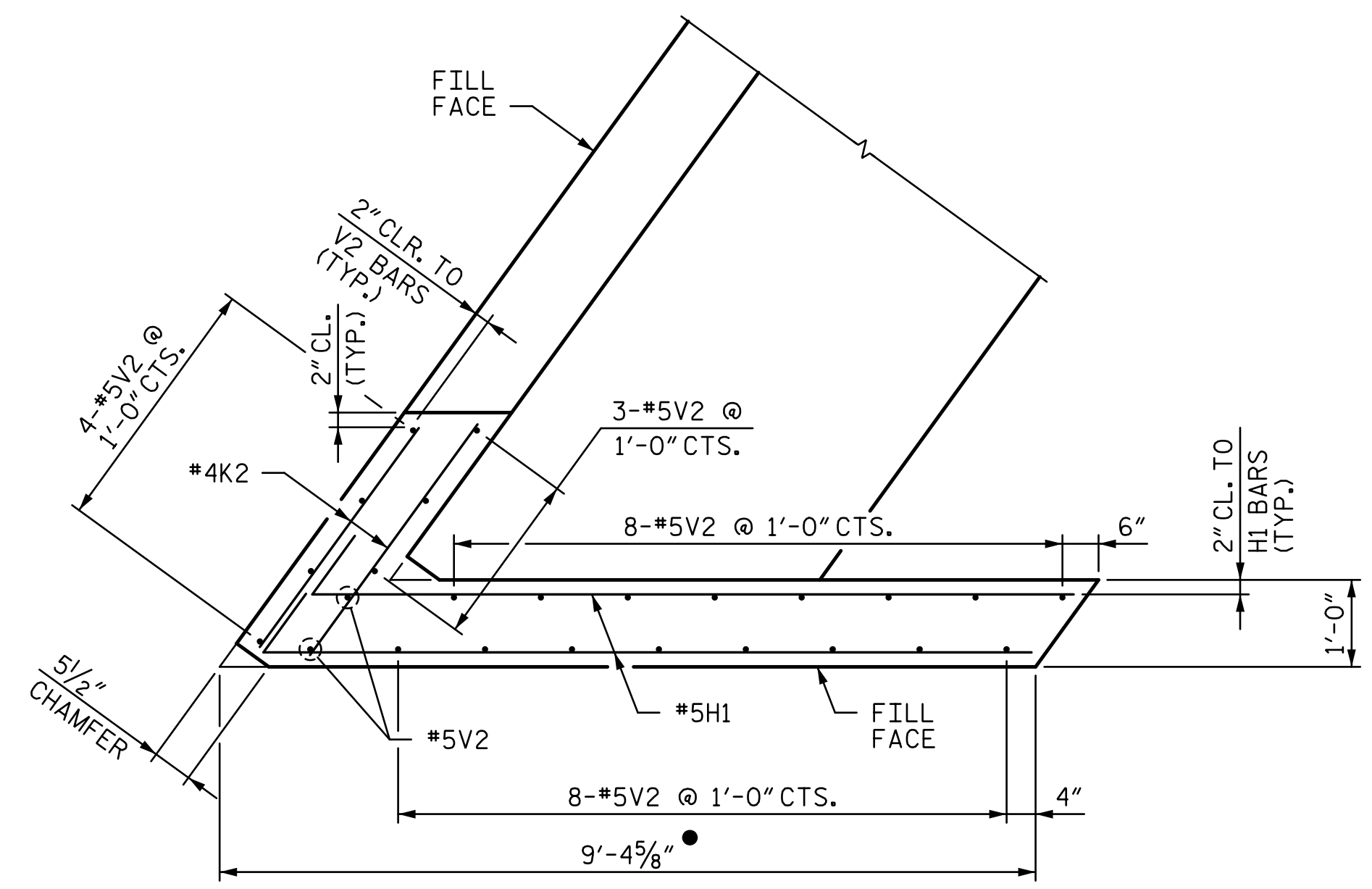
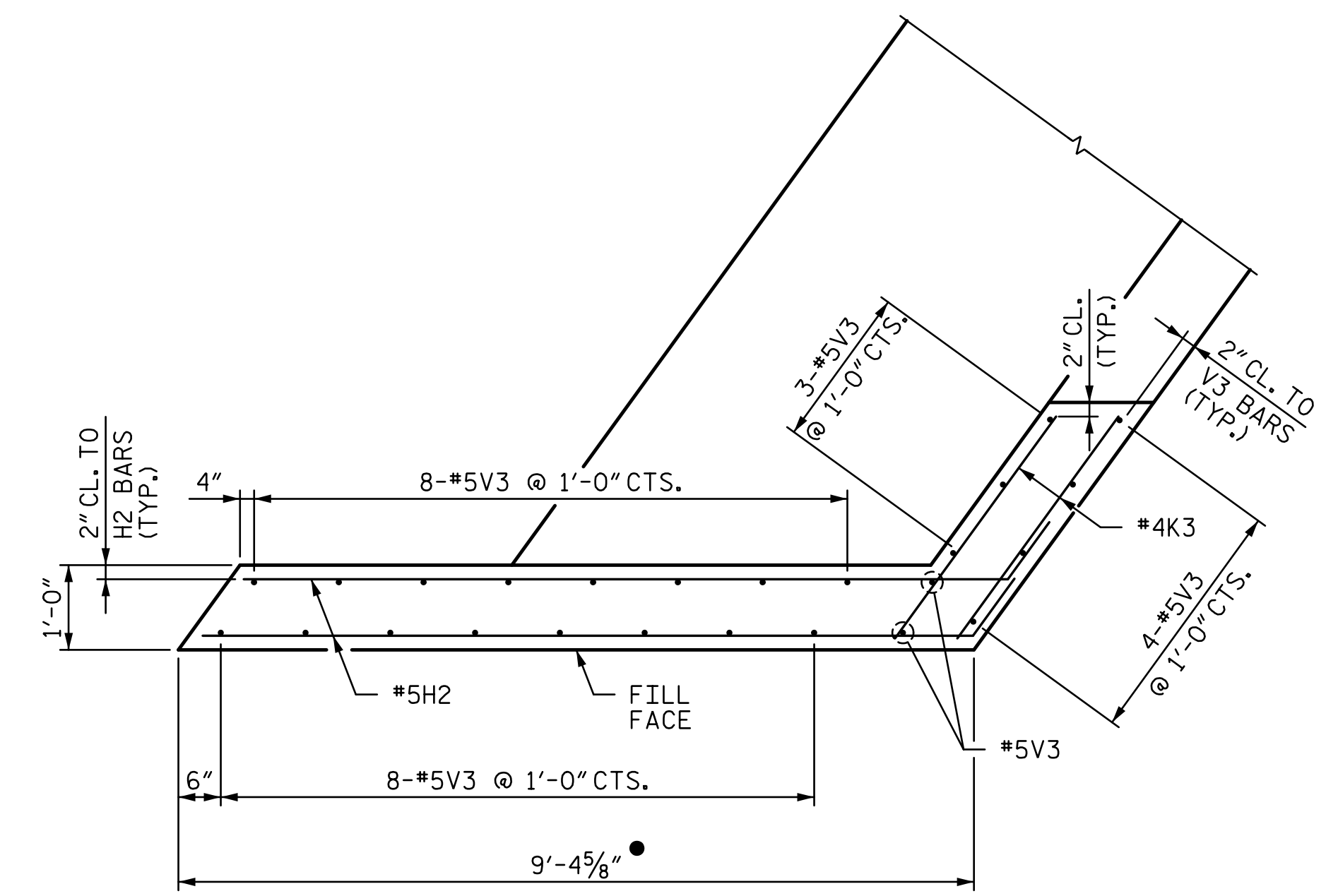


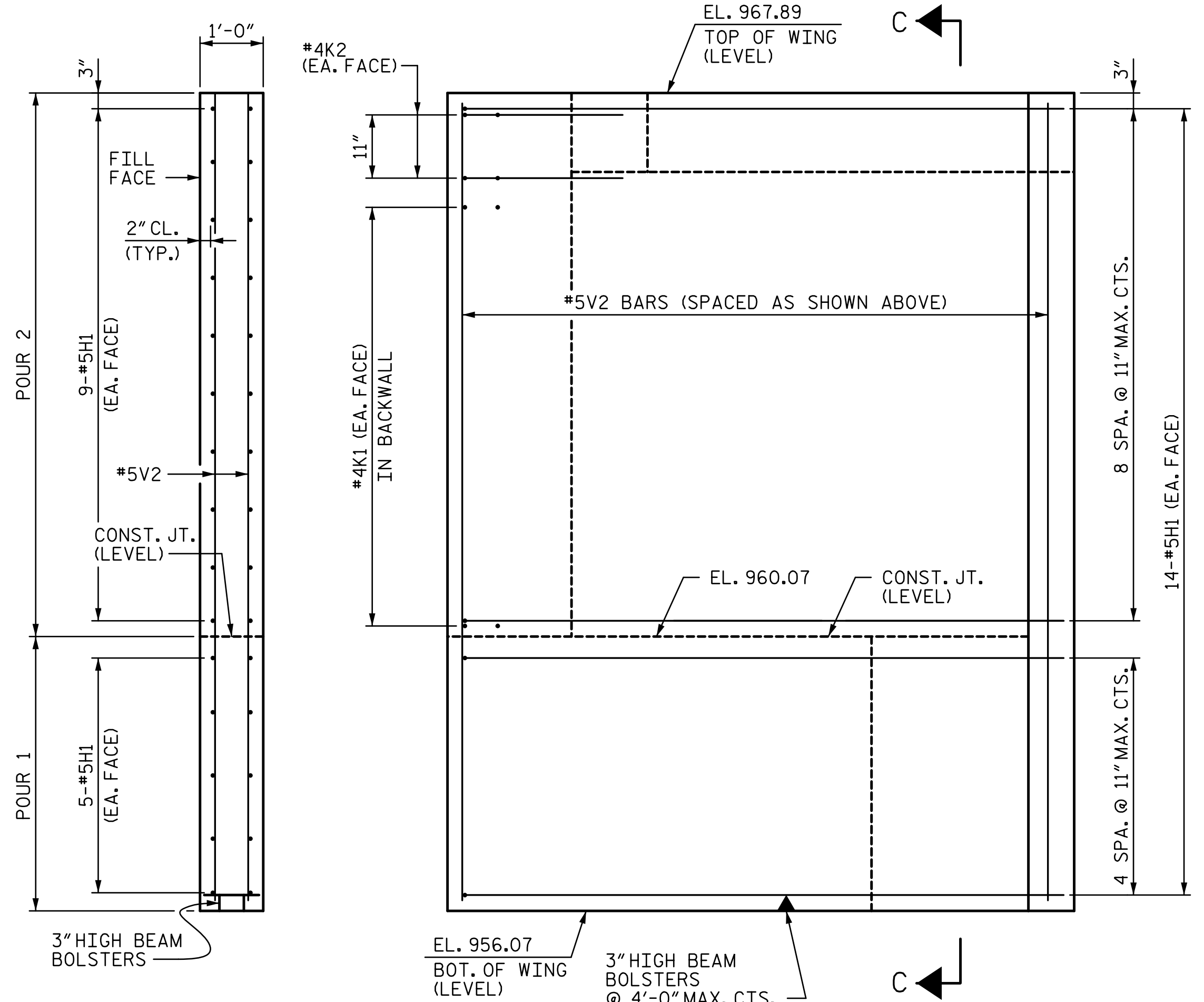
SEE NOTE 4 ON SHEET 1 OF 3



PLAN W3

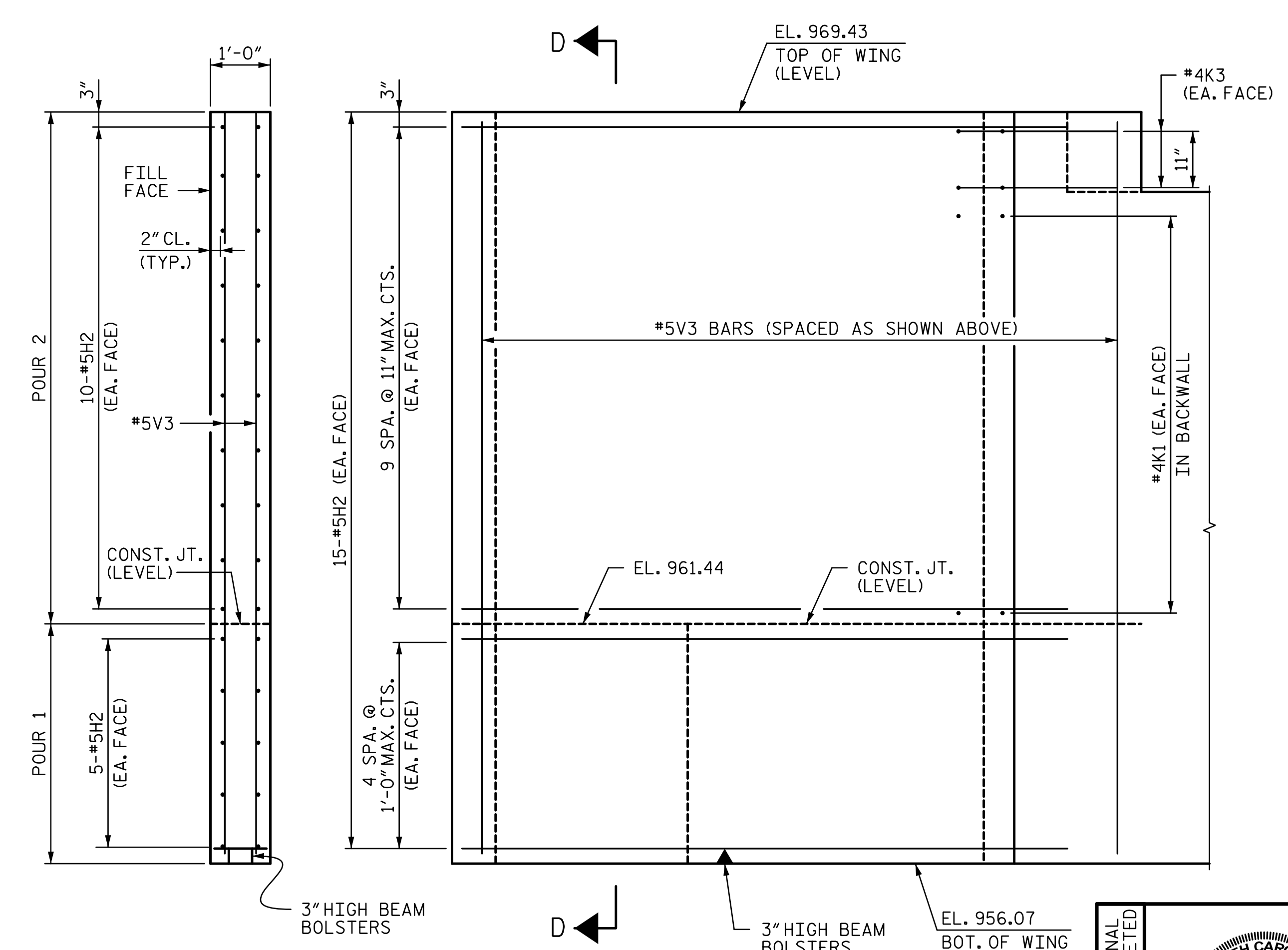


PLAN W4



SECTION C-C

ELEVATION W3



SECTION D-D

ELEVATION W4

PROJECT NO. R-2707C  
CLEVELAND COUNTY  
STATION: 596+50.98 -L-  
SHEET 2 OF 3

DOCUMENT NOT CONSIDERED FINAL  
UNLESS ALL SIGNATURES COMPLETED



DocuSigned by:  
Tony R. Laws, Jr.  
12/13/2016

STV ENGINEERS, INC.  
900 West Trade St., Suite 715  
Charlotte, NC 28202  
NC License Number F-5991

STATE OF NORTH CAROLINA  
DEPARTMENT OF TRANSPORTATION  
RALEIGH  
SUBSTRUCTURE  
END BENT 2  
(SITE 6L)

REVISIONS						SHEET NO.	
NO.	BY:	DATE:	NO.	BY:	DATE:	S7-52	
1			3			TOTAL SHEETS	
2			4			56	

12/13/2016 6:59:59 PM R:\407\_103\_R2707C-SMJ\_EB202-S7-52.dgn aveyac

DRAWN BY: MBC DATE: 10-16  
CHECKED BY: AJP DATE: 10-16  
DESIGN ENGINEER OF RECORD: V. WU DATE: 10-16