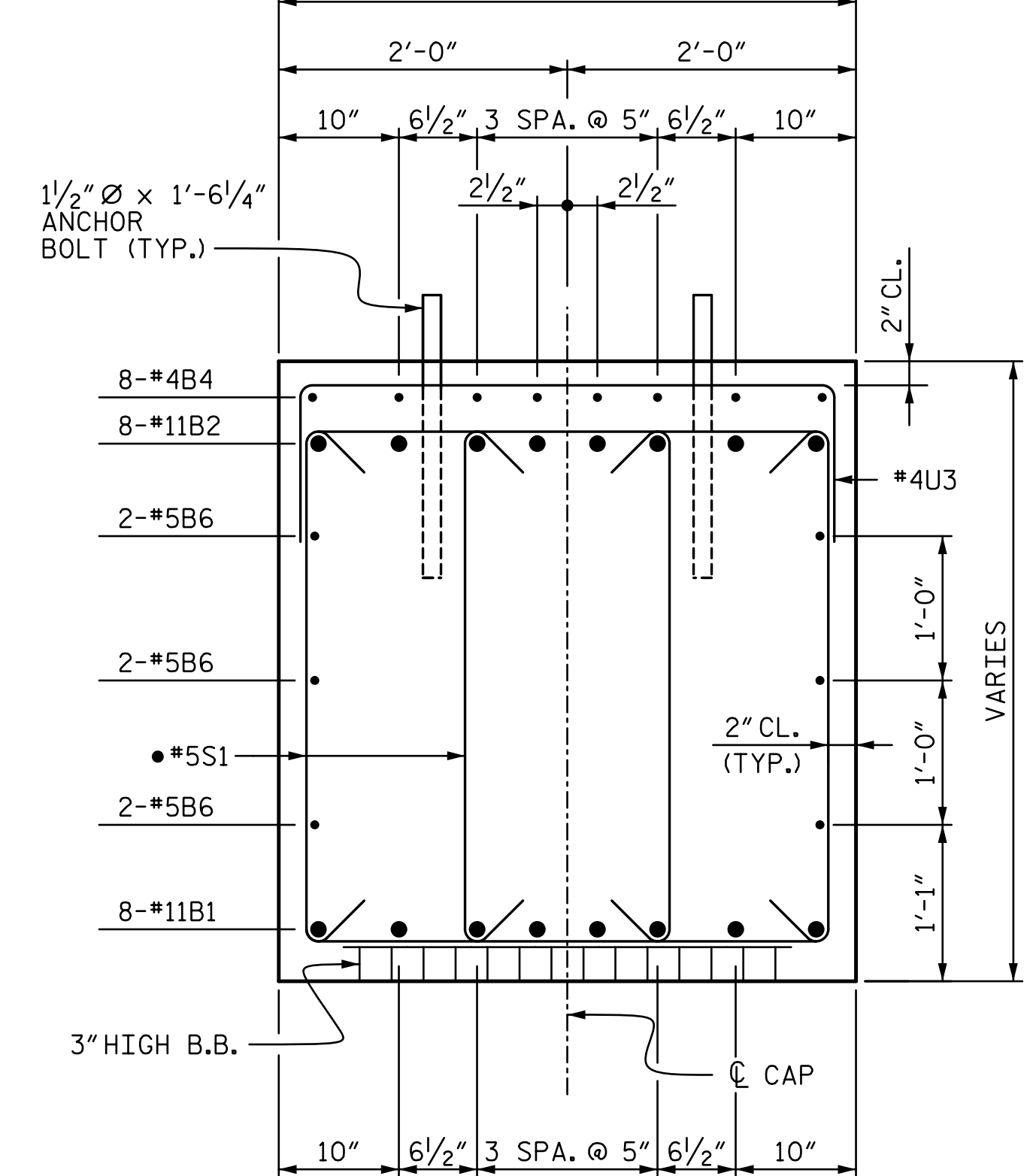
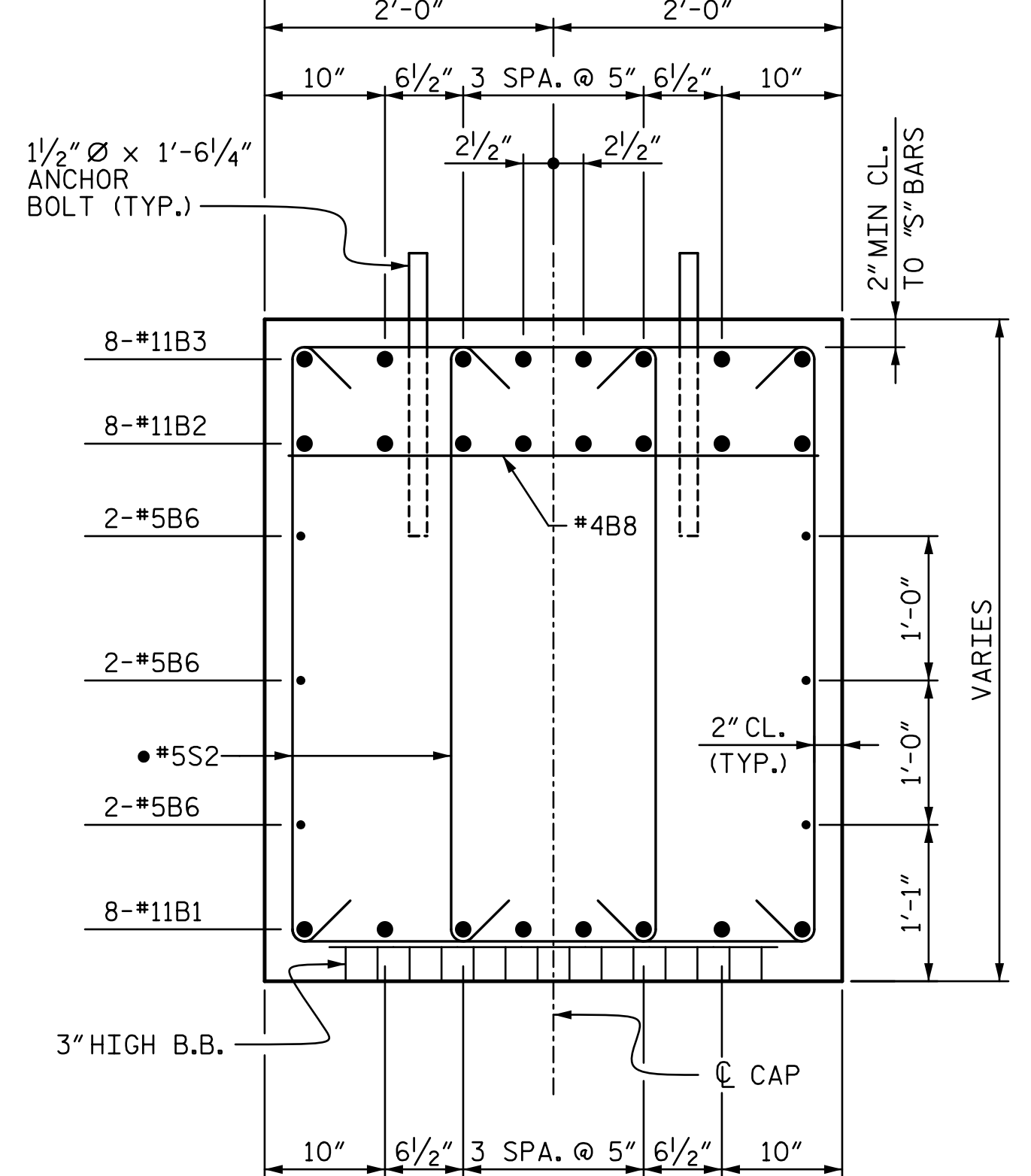


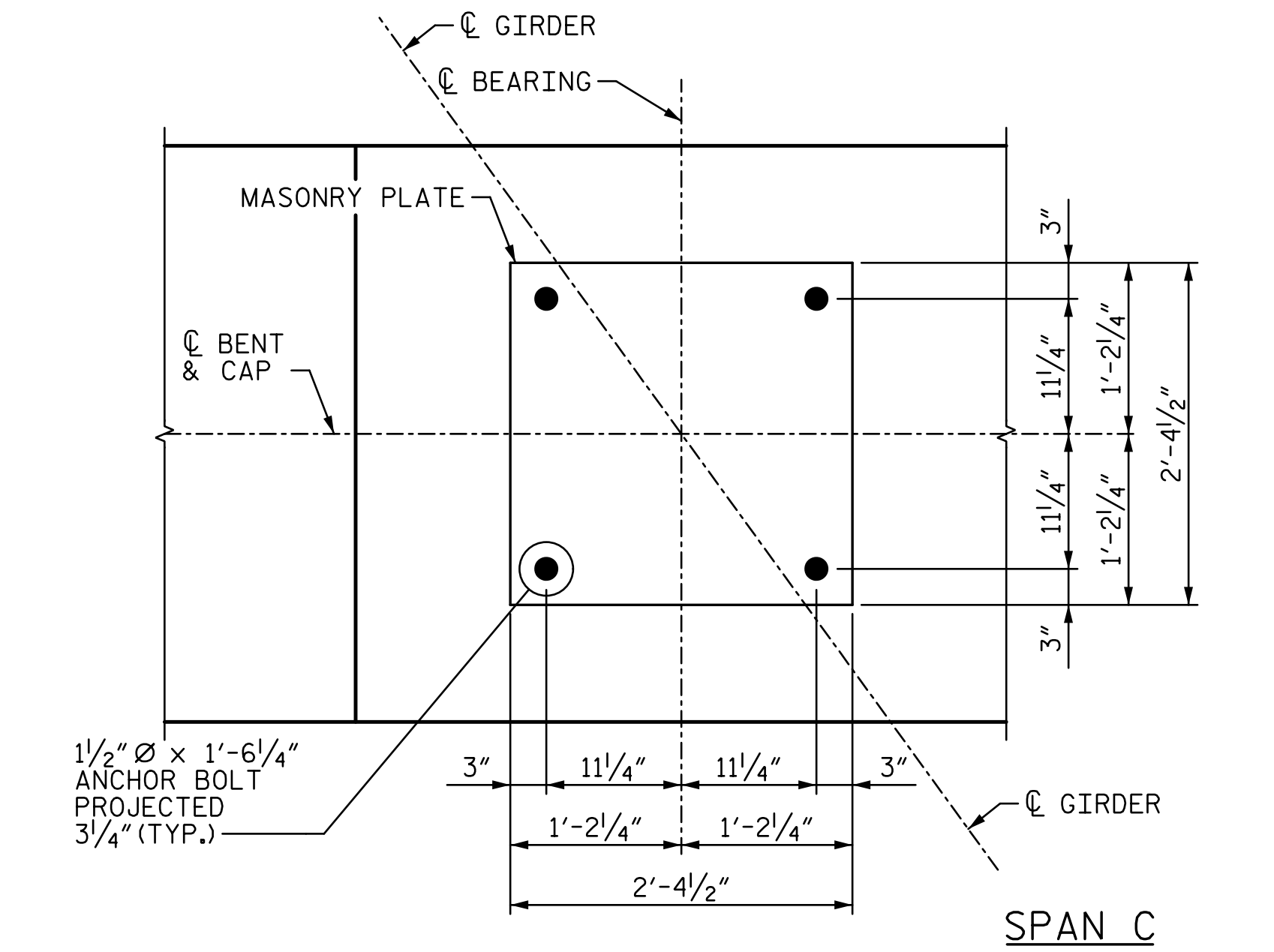
SECTION A-A



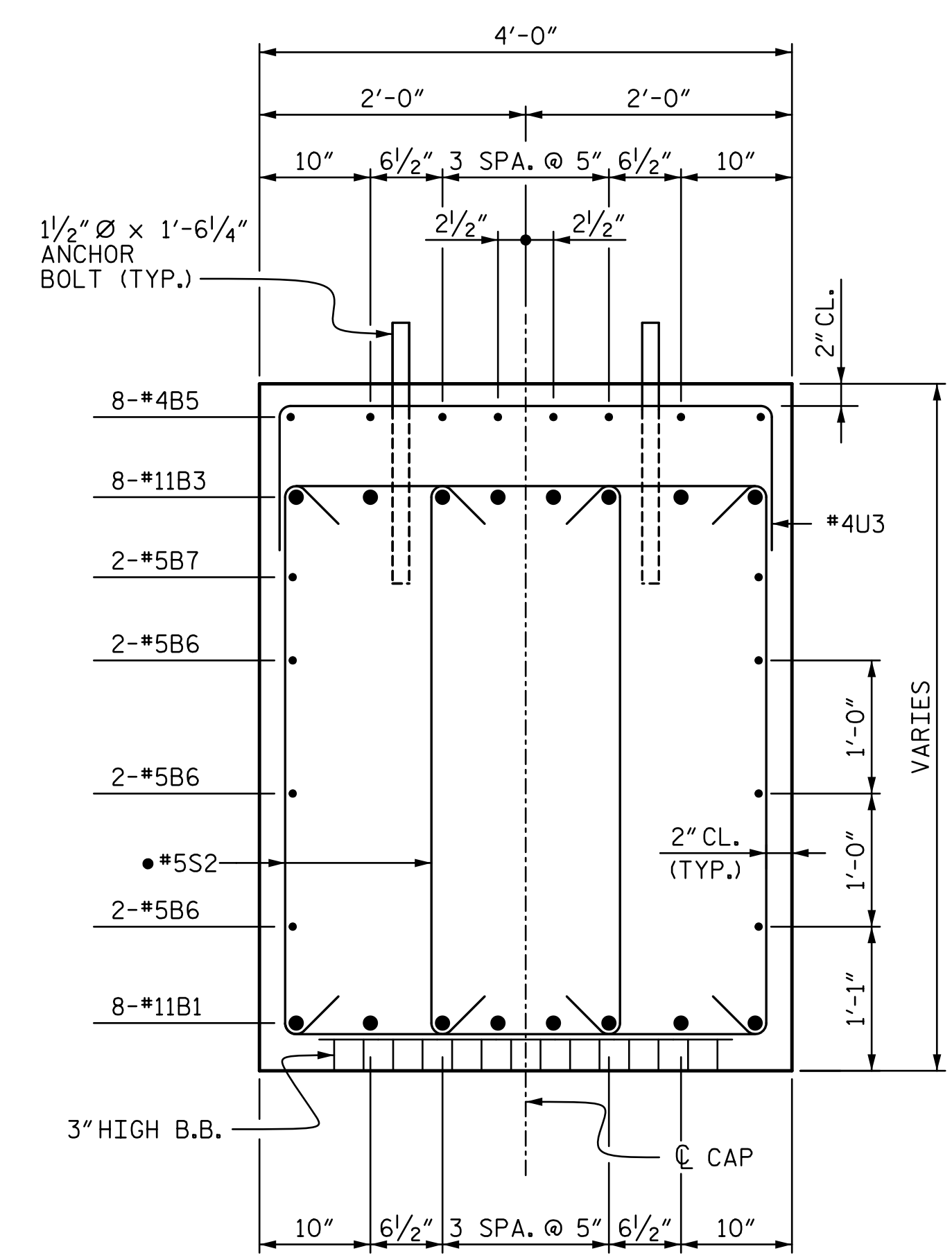
SECTION B-B



SECTION C-C

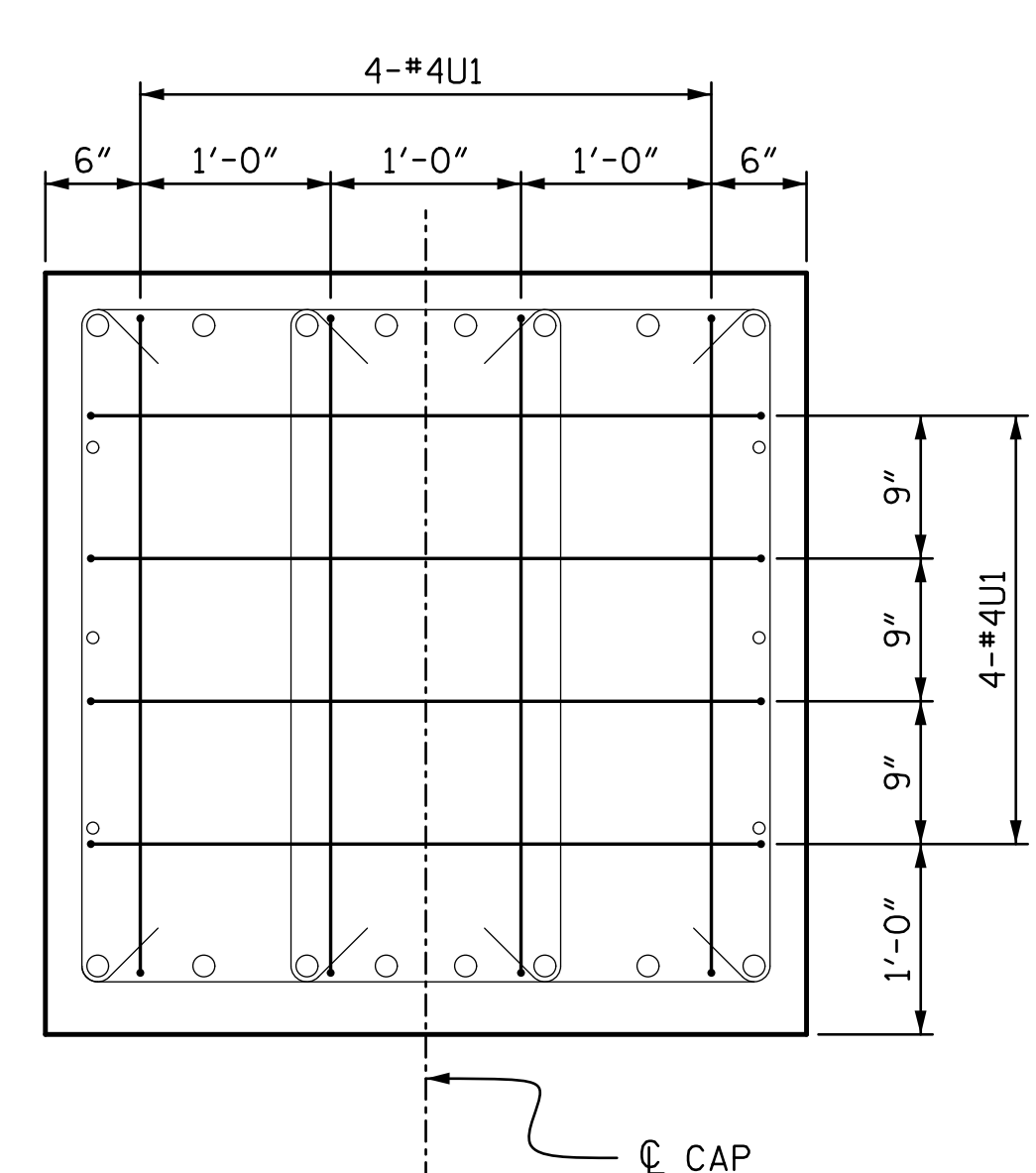


DETAIL "A"

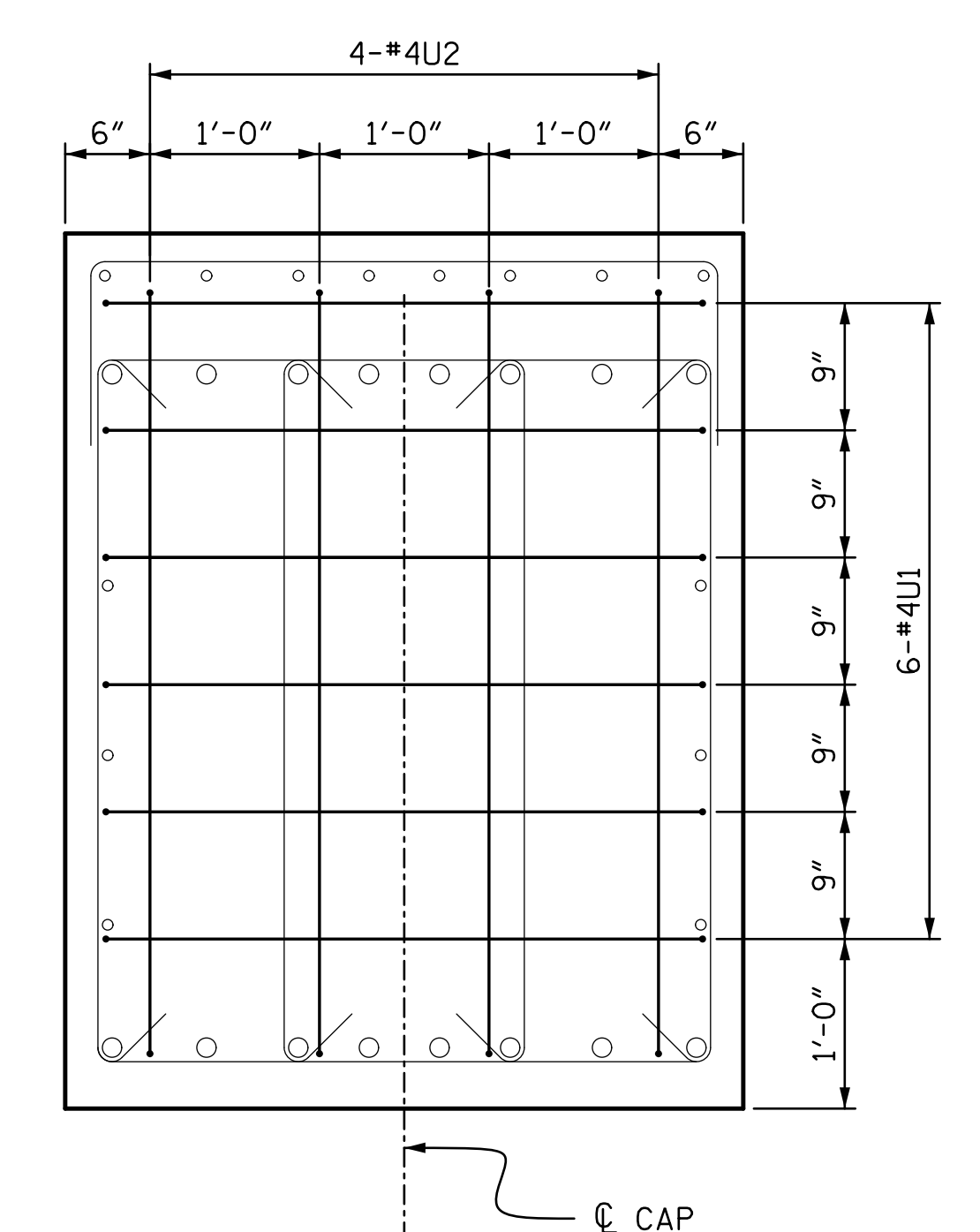


SECTION D-D

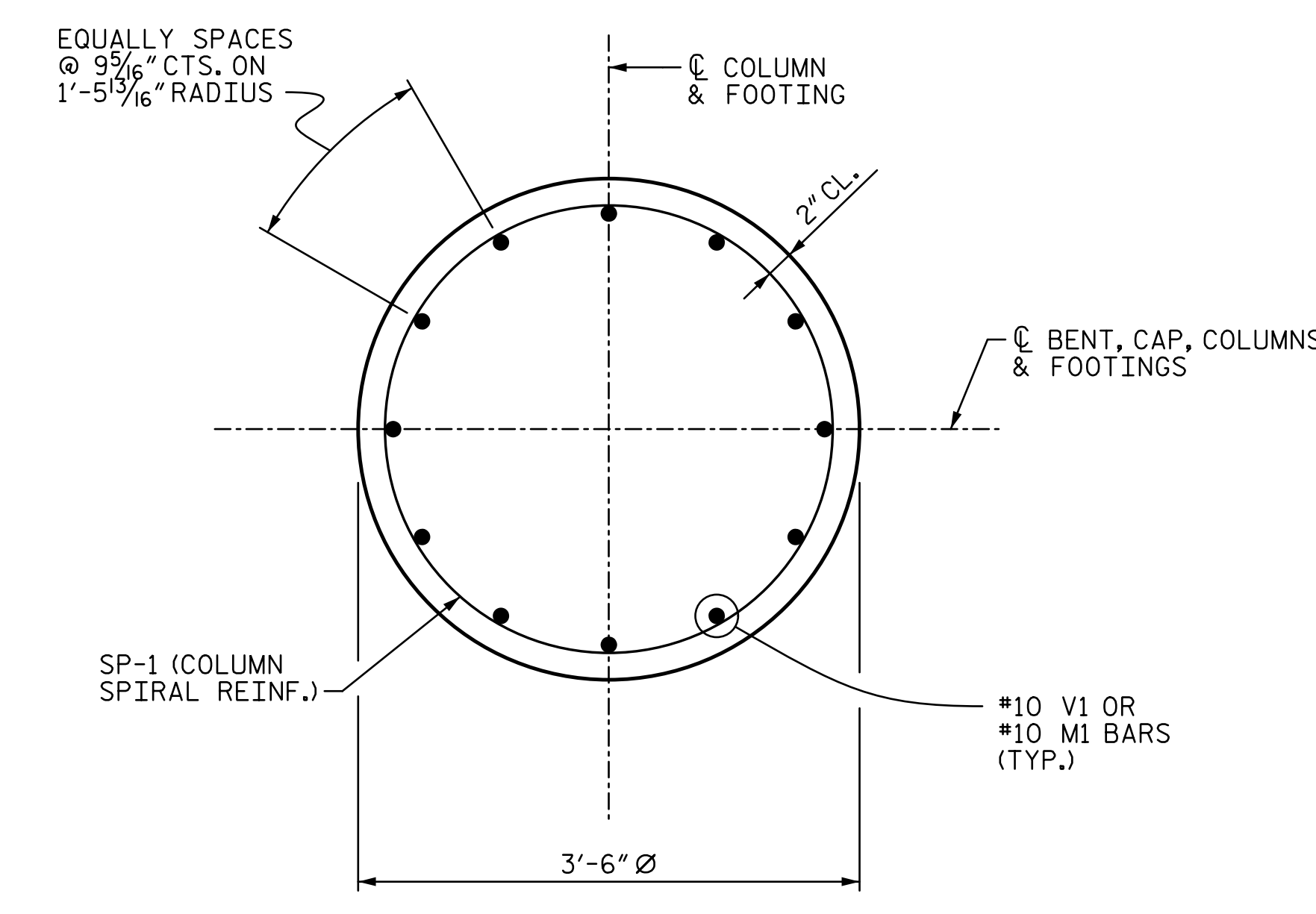
• INVERT ALTERNATE PAIRS OF STIRRUPS



VIEW E-E



VIEW F-F



TYPICAL SECTION THROUGH COLUMN

PROJECT NO. R-2707C
CLEVELAND COUNTY
 STATION: 596+50.98 -L-
 SHEET 2 OF 3

DOCUMENT NOT CONSIDERED FINAL UNLESS ALL SIGNATURES COMPLETED		STATE OF NORTH CAROLINA DEPARTMENT OF TRANSPORTATION RALEIGH SUBSTRUCTURE BENT 3 DETAILS (SITE 6L)	SHEET NO. S7-49 TOTAL SHEETS 56
	REVISIONS		NO. BY: DATE: NO. BY: DATE:
	1 2	3 4	1 2

NOTE:
 1. SEE SHEET 1 OF 3 FOR NOTES.

12/13/2016 6:59:51 PM R:\407_097_R2707C_SMU_B302_S7-49.dgn

DRAWN BY: <u>ATH</u>	DATE: <u>10-16</u>	DESIGN ENGINEER OF RECORD: <u>V. WU</u>	DATE: <u>10-16</u>
CHECKED BY: <u>TJT</u>	DATE: <u>10-16</u>		