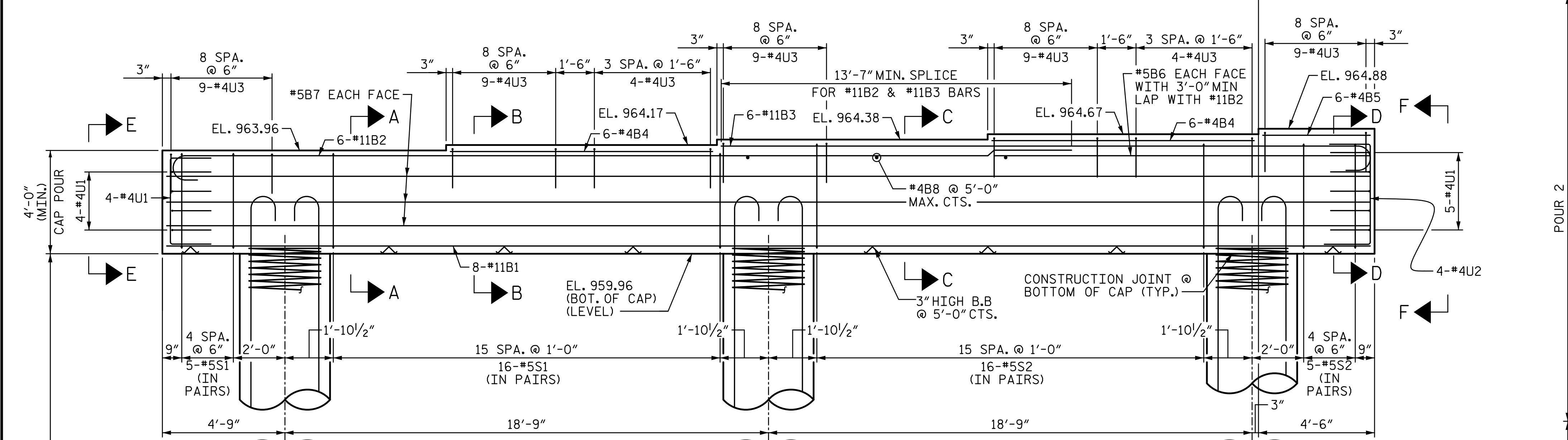
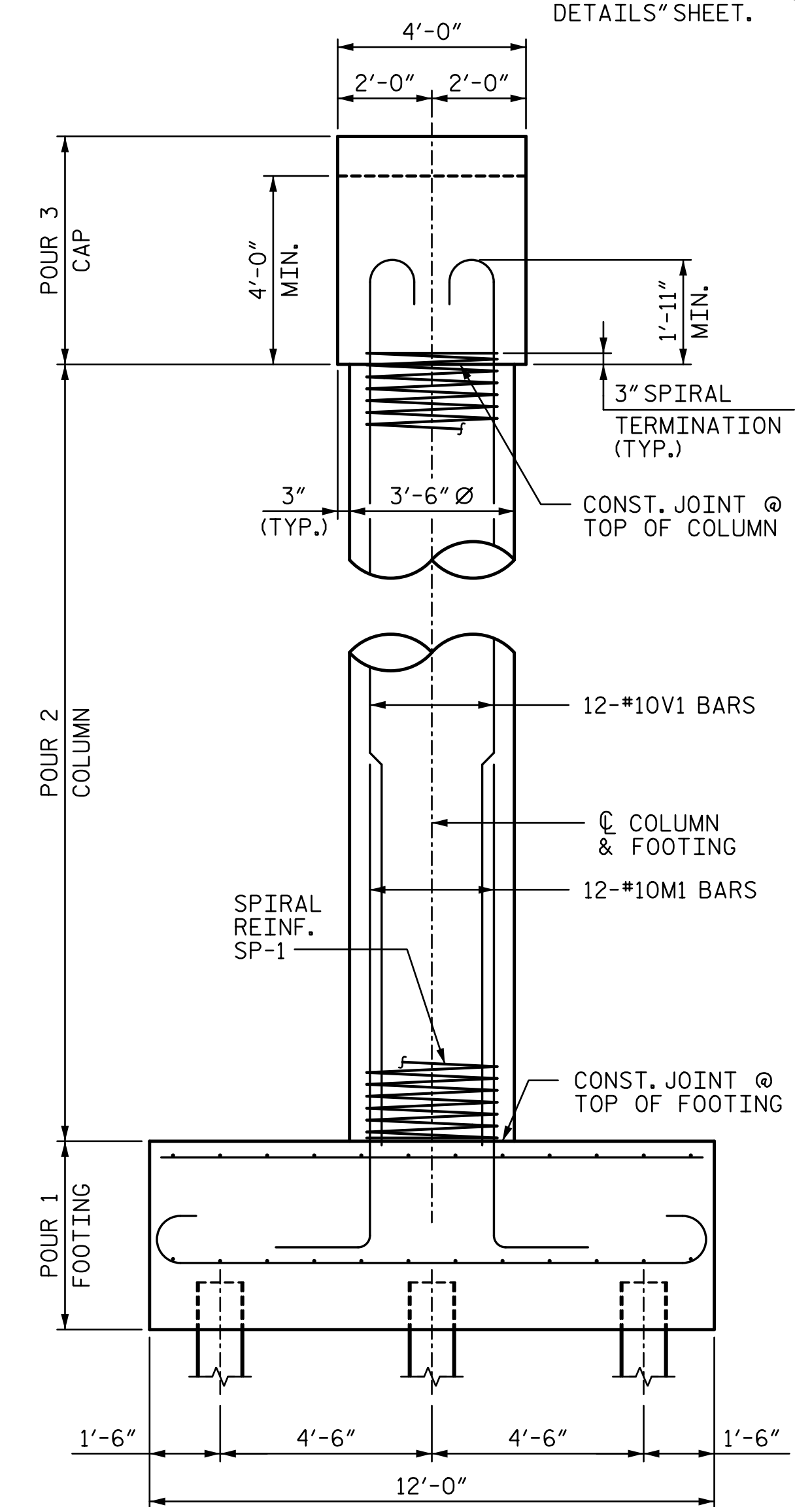


PLAN



ELEVATION



END VIEW

- NOTES:**
1. STIRRUPS AND "U" BARS IN CAP MAY BE SHIFTED SLIGHTLY AS NECESSARY TO CLEAR ANCHOR BOLTS.
 2. HOOKS ON BARS MAY BE TURNED AS NECESSARY FOR PLACING REINFORCING STEEL.
 3. SEE "GENERAL DRAWING GENERAL NOTES" SHEET FOR ADDITIONAL NOTES.
 4. SEE SHEET 2 OF 3 FOR SECTIONS CALLED OUT ON ELEVATION VIEW AND DETAIL "A".
 5. FOR ANCHOR BOLTS, SEE "DISC BEARING DETAILS" SHEET.

PROJECT NO. R-2707C
CLEVELAND COUNTY
 STATION: 596+50.98 -L-
 SHEET 1 OF 3

DOCUMENT NOT CONSIDERED FINAL UNLESS ALL SIGNATURES COMPLETED		STATE OF NORTH CAROLINA DEPARTMENT OF TRANSPORTATION RALEIGH				SHEET NO. S7-45 TOTAL SHEETS 56
		SUBSTRUCTURE				
		BENT 2 PLAN & ELEVATION				
		(SITE 6L)				
REVISIONS						
NO.	BY:	DATE:	NO.	BY:	DATE:	
1			3			
2			4			

12/13/2016 6:59:55 PM R:\407_089_R2707C_SML_B201_S7-45.dgn

DRAWN BY: ATH DATE: 10-16 DESIGN ENGINEER OF RECORD: V. WU DATE: 10-16
 CHECKED BY: TJT DATE: 10-16