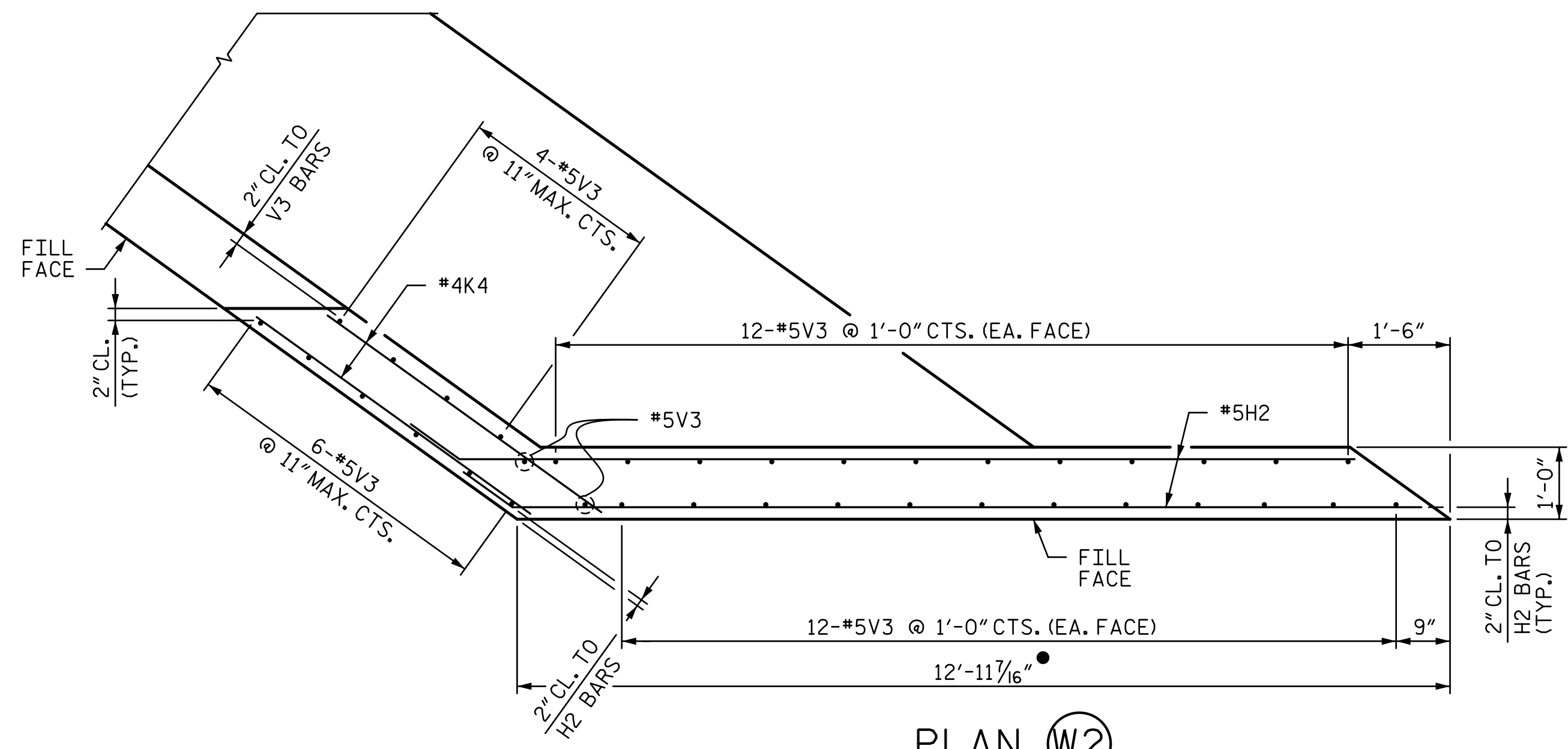
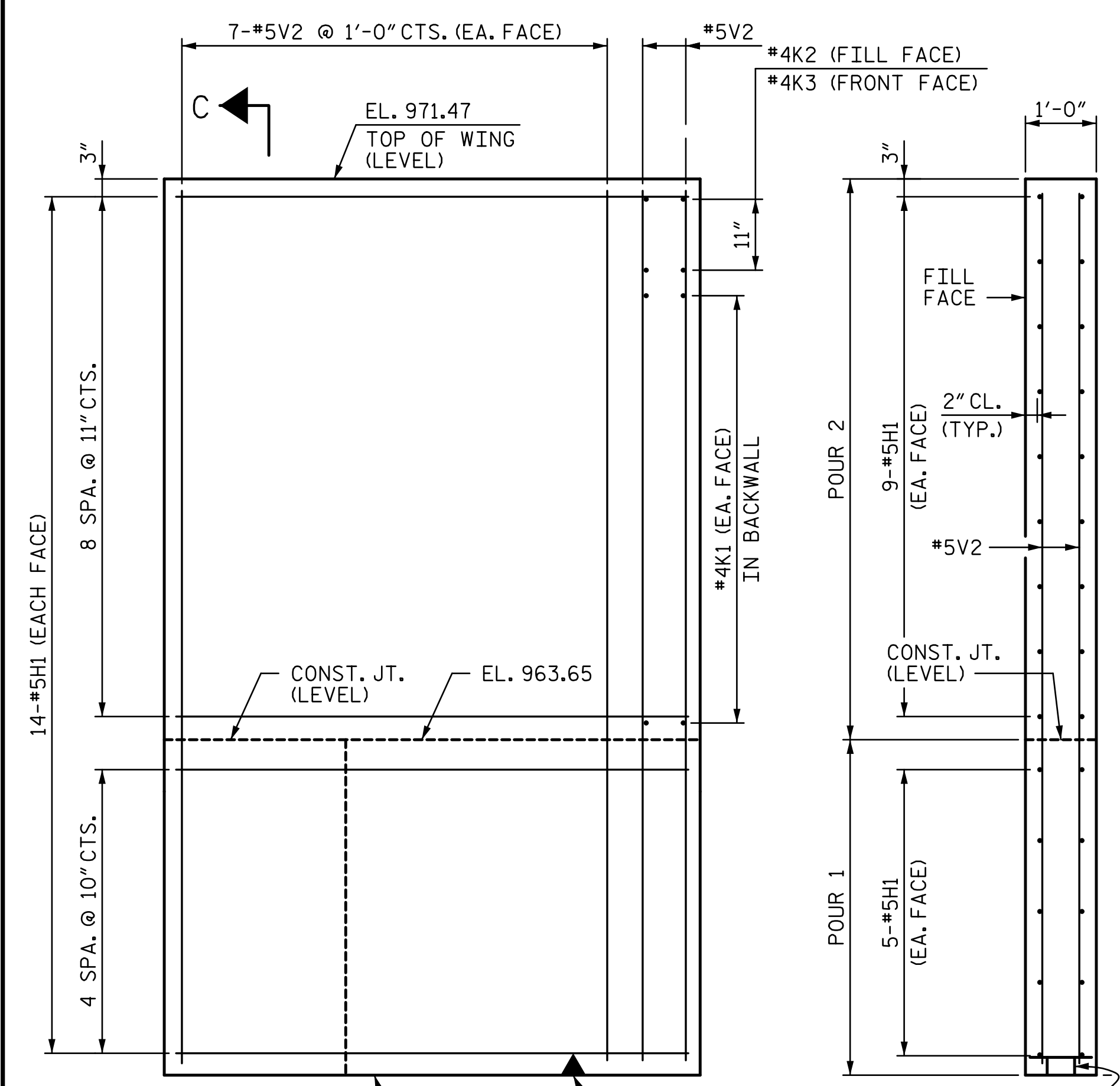


PLAN (W1)

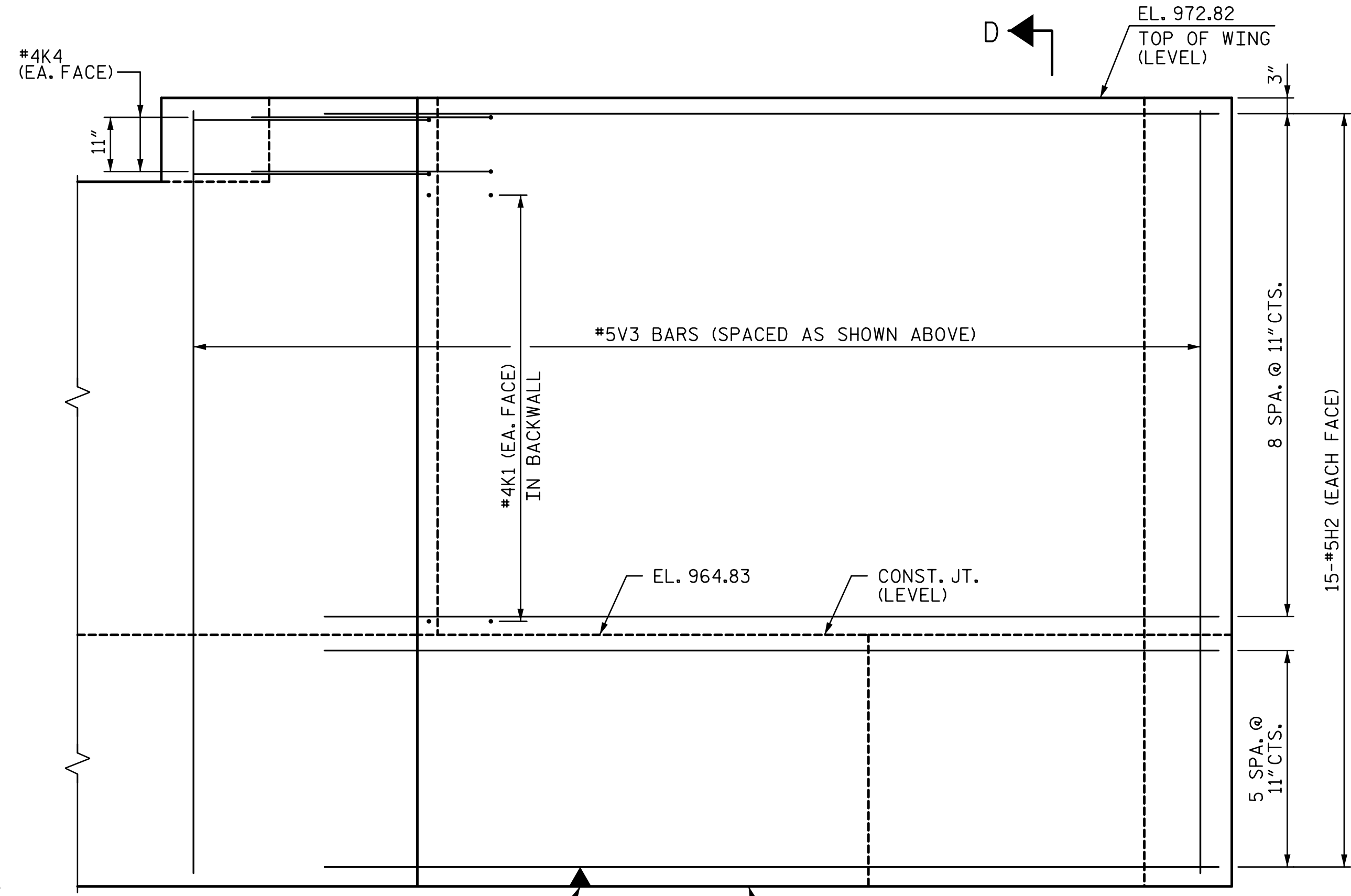


PLAN (W2)

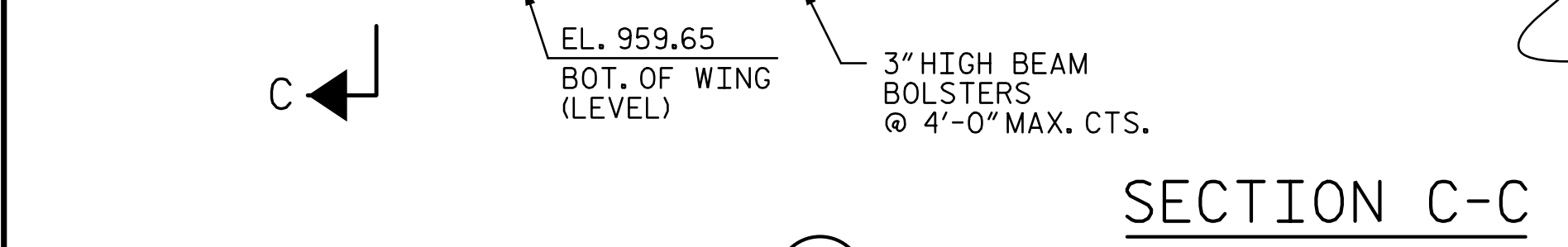
SEE NOTE 4 ON SHEET 1 OF 3



SECTION C-C



SECTION D-D



ELEVATION (W1)



ELEVATION (W2)

PROJECT NO. R-2707C
 CLEVELAND COUNTY
 STATION: 596+50.98 -L-
 SHEET 2 OF 3

DOCUMENT NOT CONSIDERED FINAL UNLESS ALL SIGNATURES COMPLETED		STATE OF NORTH CAROLINA DEPARTMENT OF TRANSPORTATION RALEIGH SUBSTRUCTURE END BENT 1 (SITE 6L)		SHEET NO. S7-40																	
		REVISIONS		TOTAL SHEETS 56																	
		STV ENGINEERS, INC. 900 West Trade St., Suite 715 Charlotte, NC 28202 NC License Number F-5991	100 Years 1916-2016	DocuSigned by: Tony R. Laws, Jr. CA0CE9F8B74F7... 12/13/2016	<table border="1"> <tr> <th>NO.</th> <th>BY:</th> <th>DATE:</th> <th>NO.</th> <th>BY:</th> <th>DATE:</th> </tr> <tr> <td>1</td> <td></td> <td></td> <td>3</td> <td></td> <td></td> </tr> <tr> <td>2</td> <td></td> <td></td> <td>4</td> <td></td> <td></td> </tr> </table>	NO.	BY:	DATE:	NO.	BY:	DATE:	1			3			2			4
NO.	BY:	DATE:	NO.	BY:	DATE:																
1			3																		
2			4																		

DRAWN BY: MBC	DATE: 10-16	DESIGN ENGINEER OF RECORD: V. WU	DATE: 10-16
CHECKED BY: T.JT	DATE: 10-16		

12/13/2016 6:59:46 PM R:\407_079_R2707C_SMU_EB02_S7-40.dgn