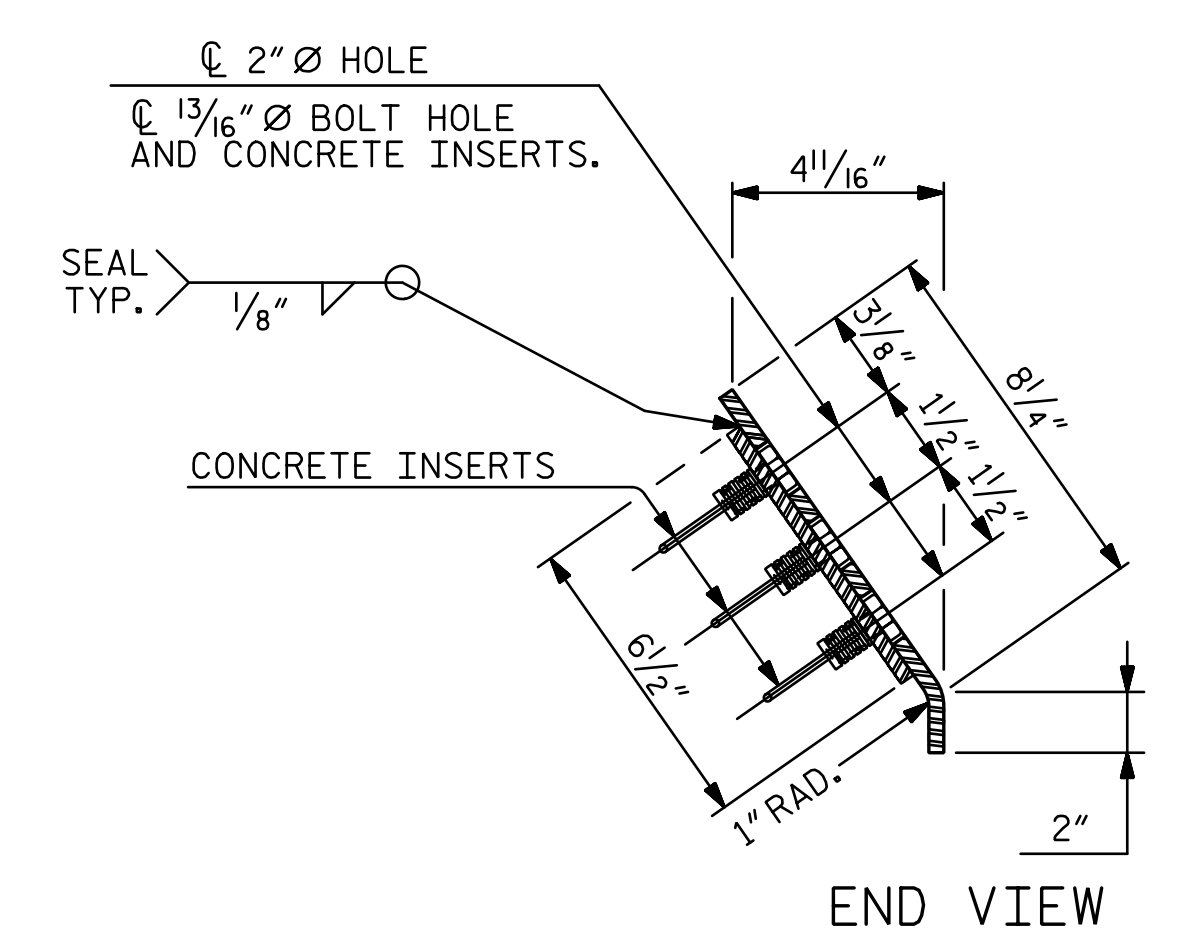
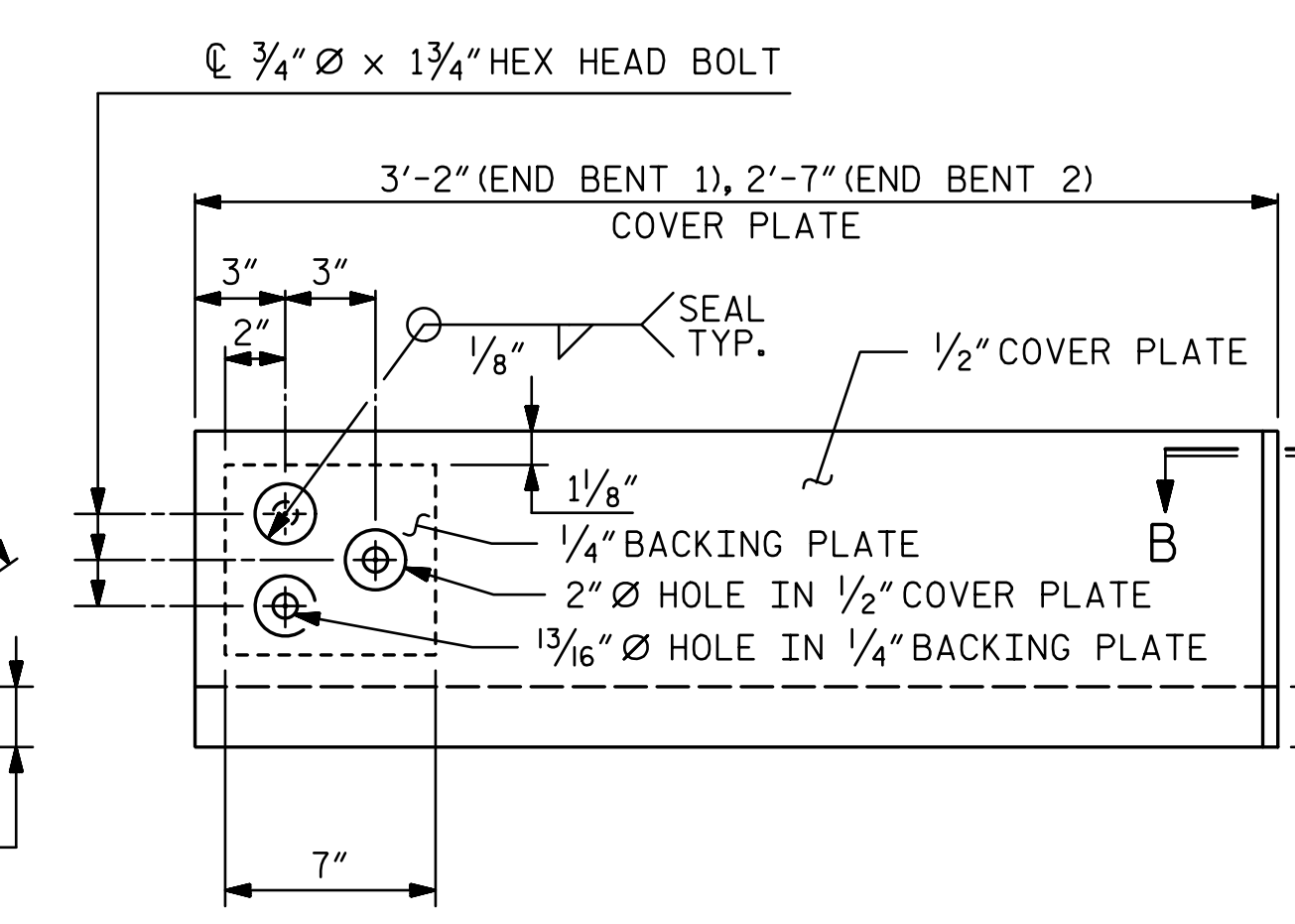


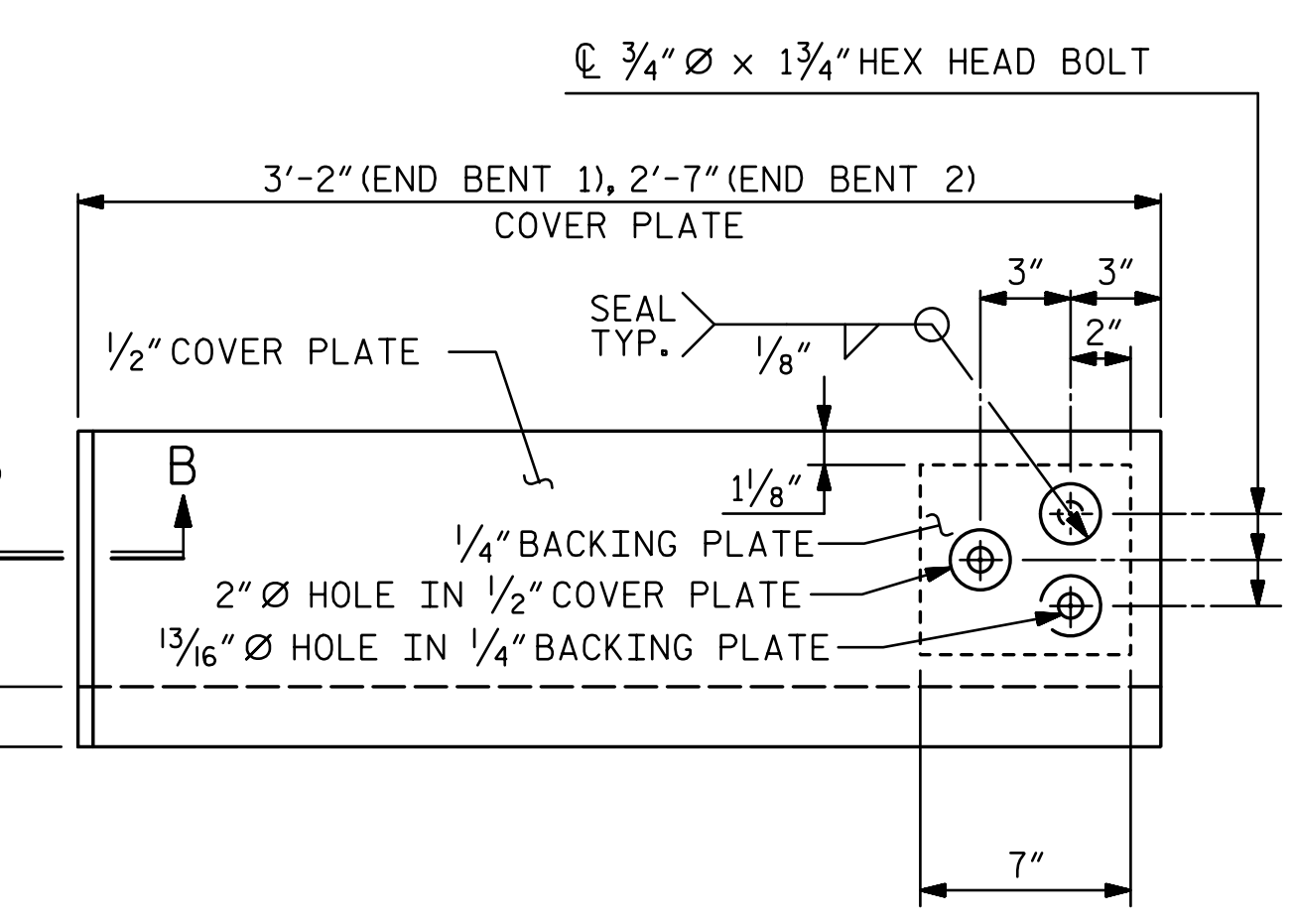
SECTION THRU RAIL NORMAL TO JOINT



END VIEW

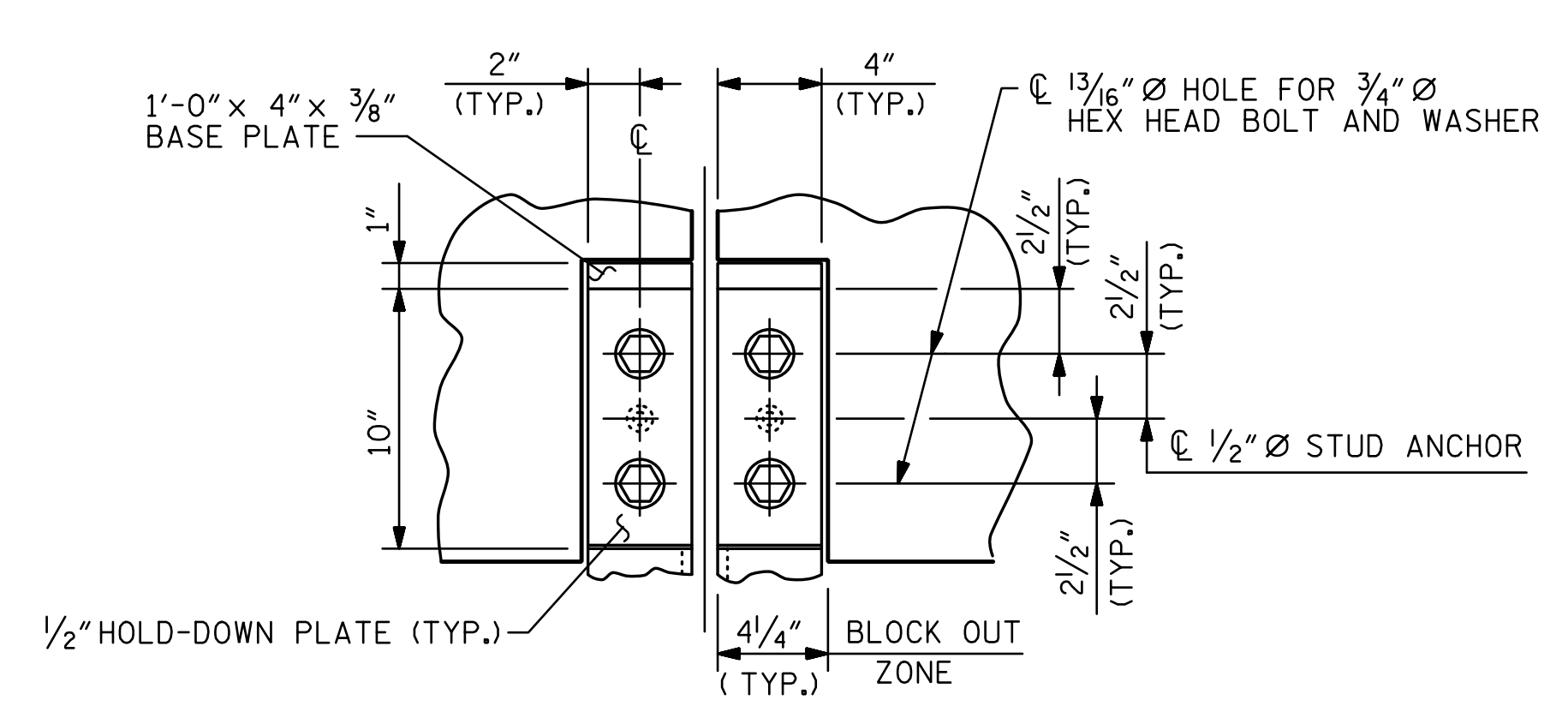


TYPE I - ELEVATION VIEW

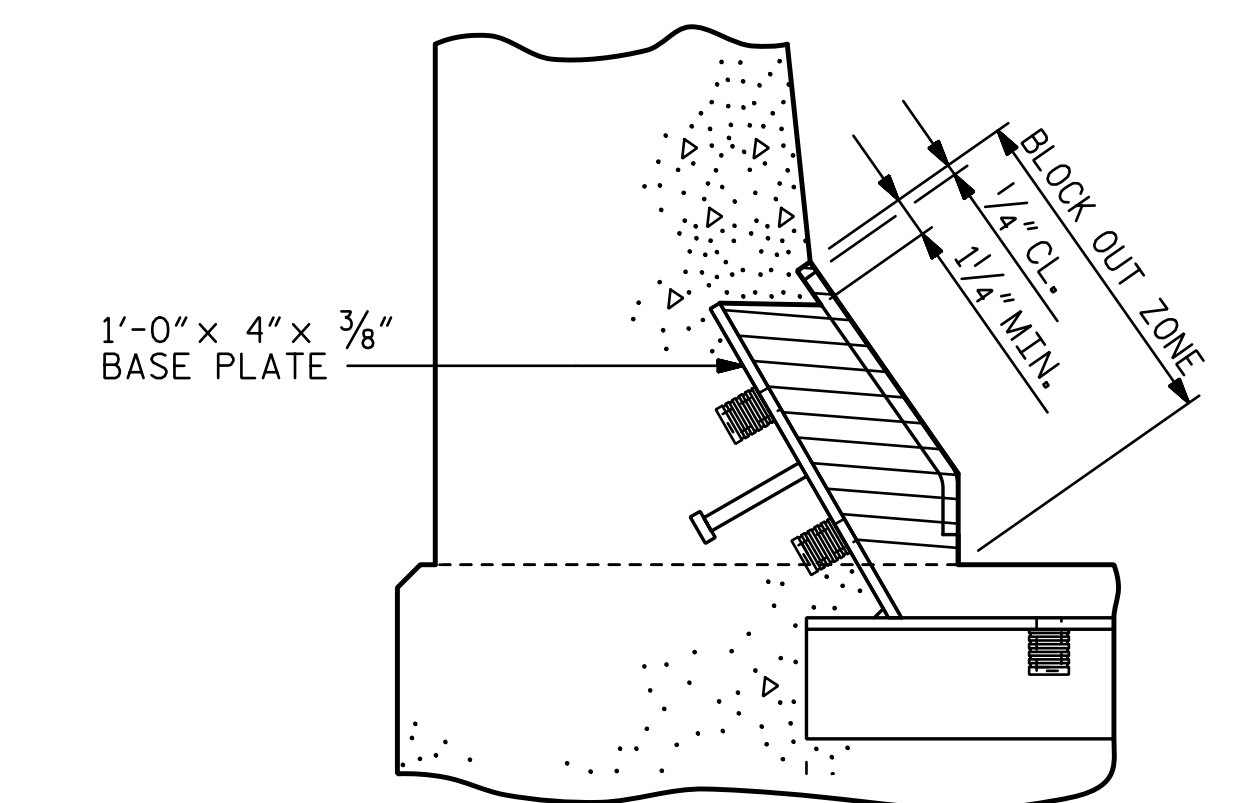


TYPE II - ELEVATION VIEW

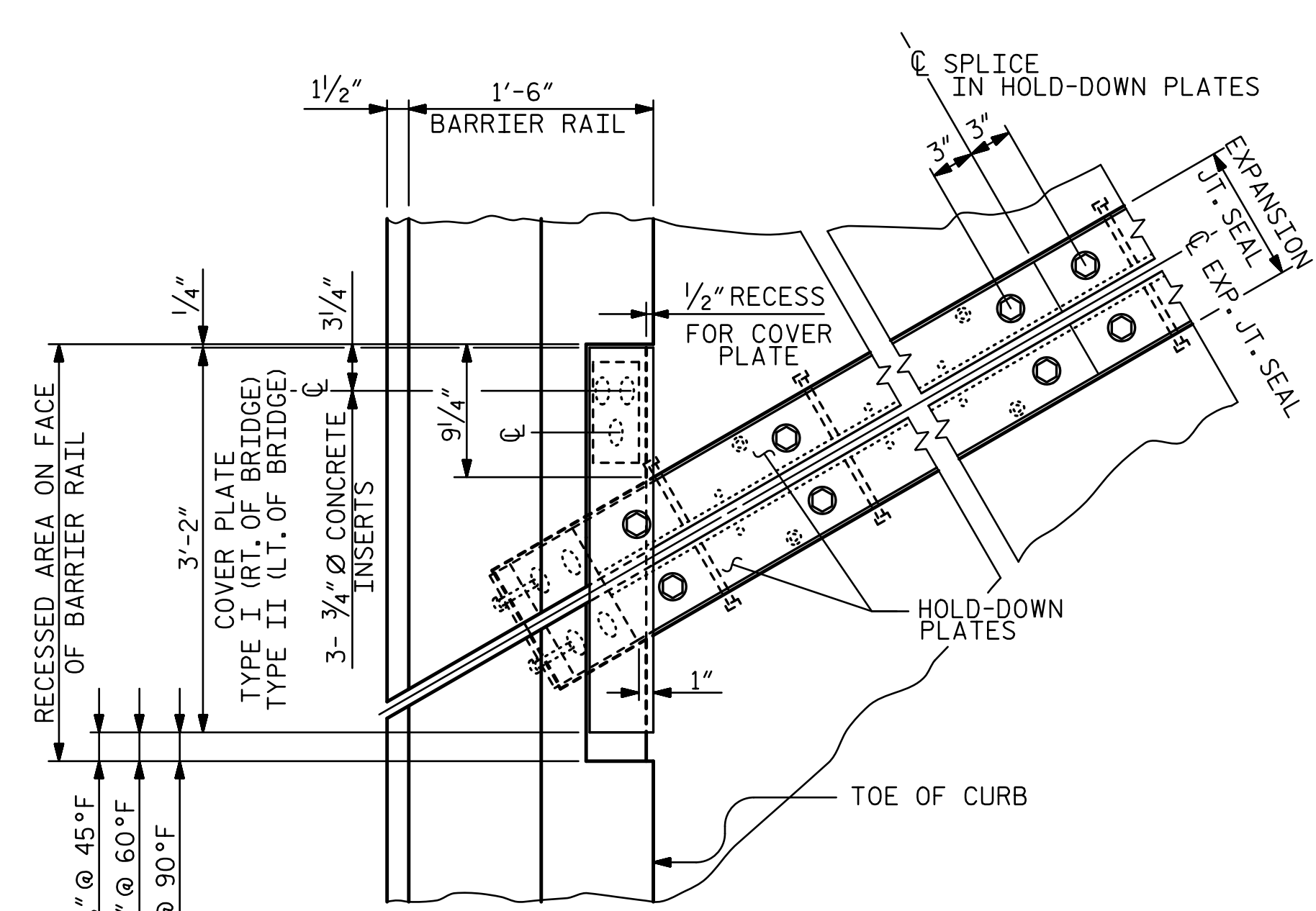
COVER PLATE DETAILS



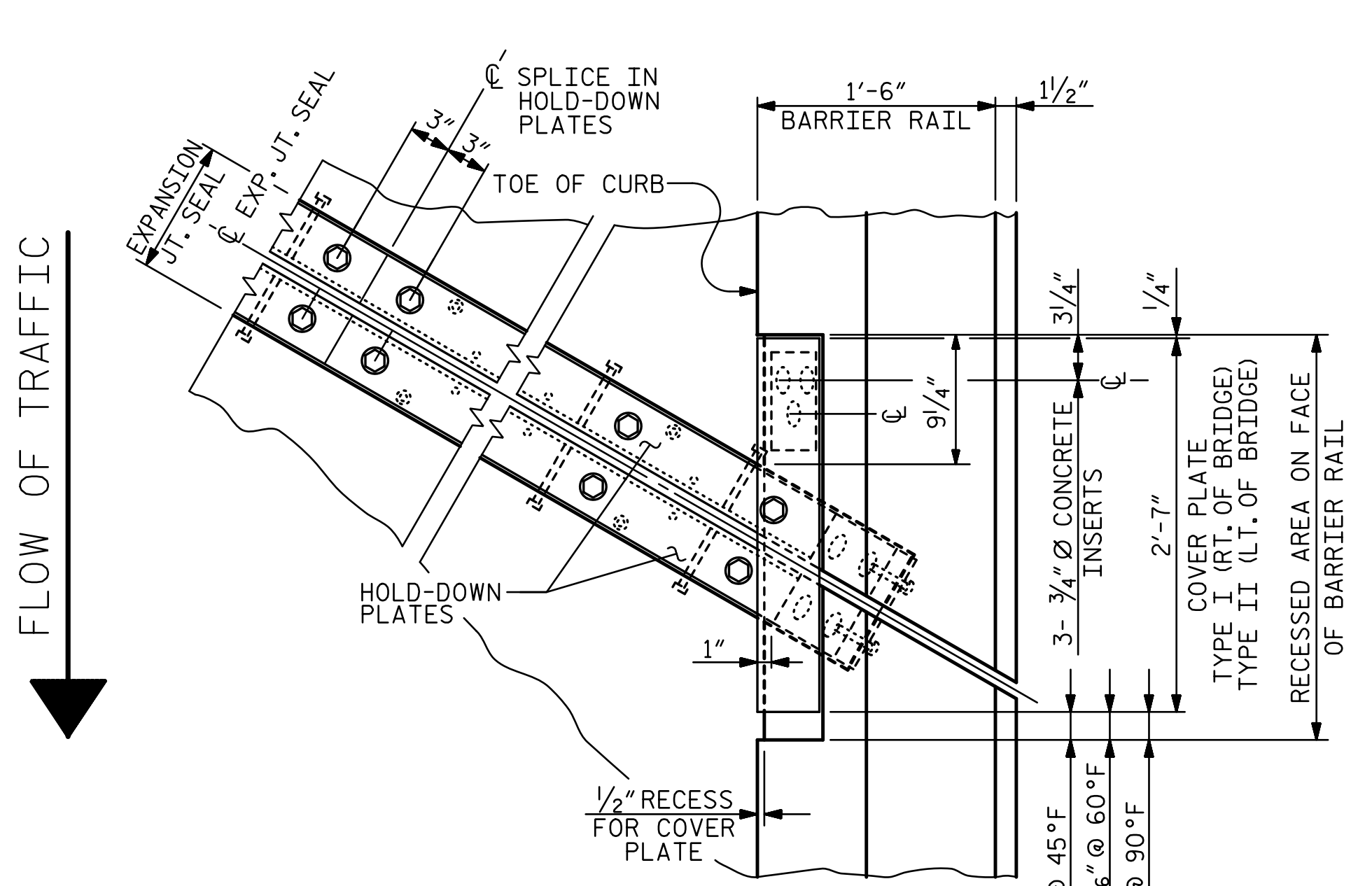
SECTION A - A



BLOCK OUT DETAIL
SEE "SECTION A - A" FOR OTHER DETAILS.

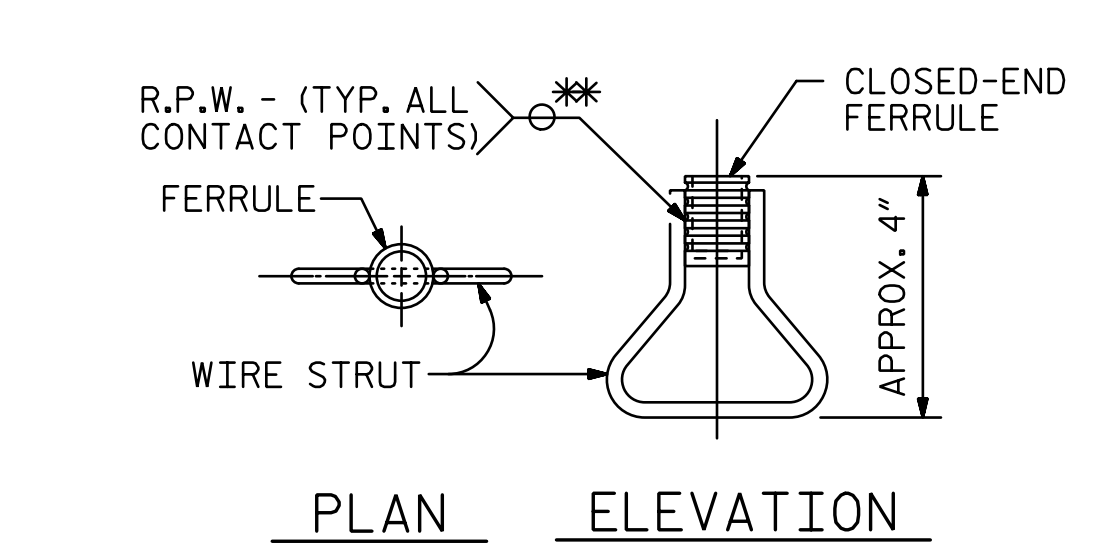


END BENT 1
(LEFT BARRIER RAIL OF BRIDGE SHOWN, RIGHT BARRIER RAIL OF BRIDGE SIMILAR)



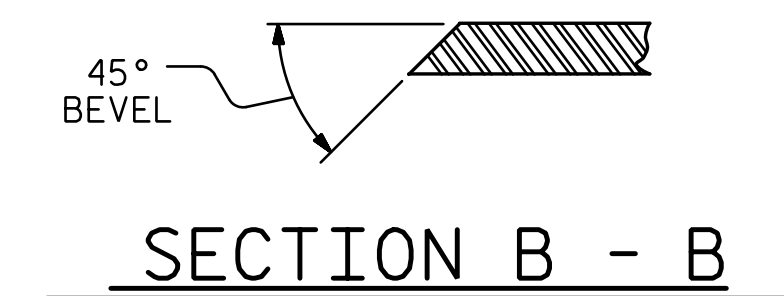
END BENT 2
(RIGHT BARRIER RAIL OF BRIDGE SHOWN, LEFT BARRIER RAIL OF BRIDGE SIMILAR)

PLAN OF EXPANSION JOINT SEAL



CONCRETE INSERT

* EACH WELDED ATTACHMENT OF WIRE TO FERRULE SHALL DEVELOP THE TENSILE STRENGTH OF THE WIRE.



SECTION B - B

12/13/2016 6:59:44 PM R:\407_071_R2707C_SML_EJS02_S7-36.dgn

DRAWN BY: VMW	DATE: 9-16	DESIGN ENGINEER OF RECORD: V. WU	DATE: 10-16
CHECKED BY: TRL	DATE: 10-16		

DOCUMENT NOT CONSIDERED FINAL UNLESS ALL SIGNATURES COMPLETED

DocuSigned by:
Tony K. Laws, Jr.
12/13/2016

STATE OF NORTH CAROLINA
DEPARTMENT OF TRANSPORTATION
RALEIGH

SUPERSTRUCTURE

EXPANSION JOINT SEAL DETAILS FOR BARRIER RAIL

(SITE 6L)

REVISIONS			
NO.	BY:	DATE:	DATE:
1		3	
2		4	

SHEET NO. S7-36	TOTAL SHEETS 56
------------------------	------------------------