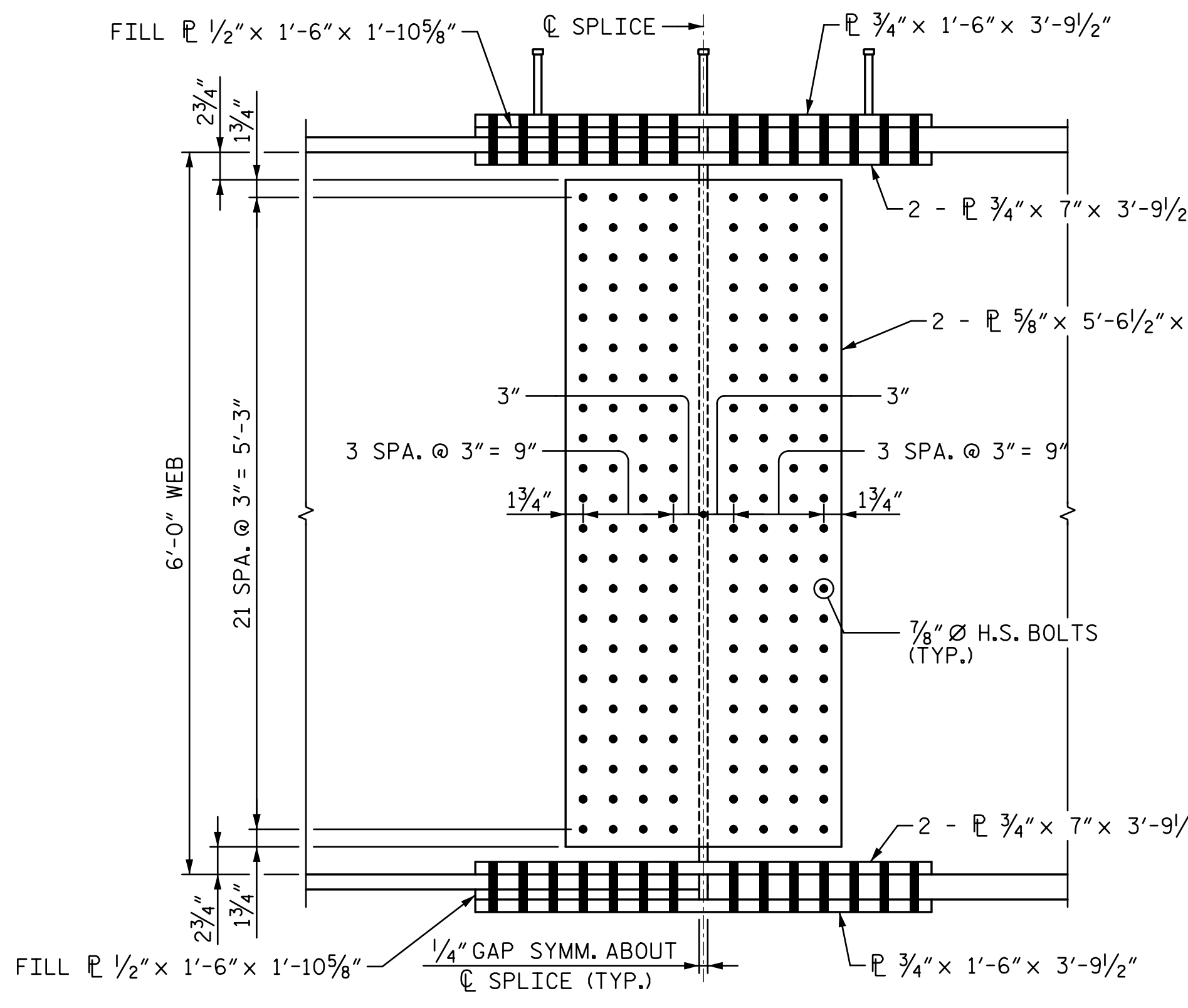
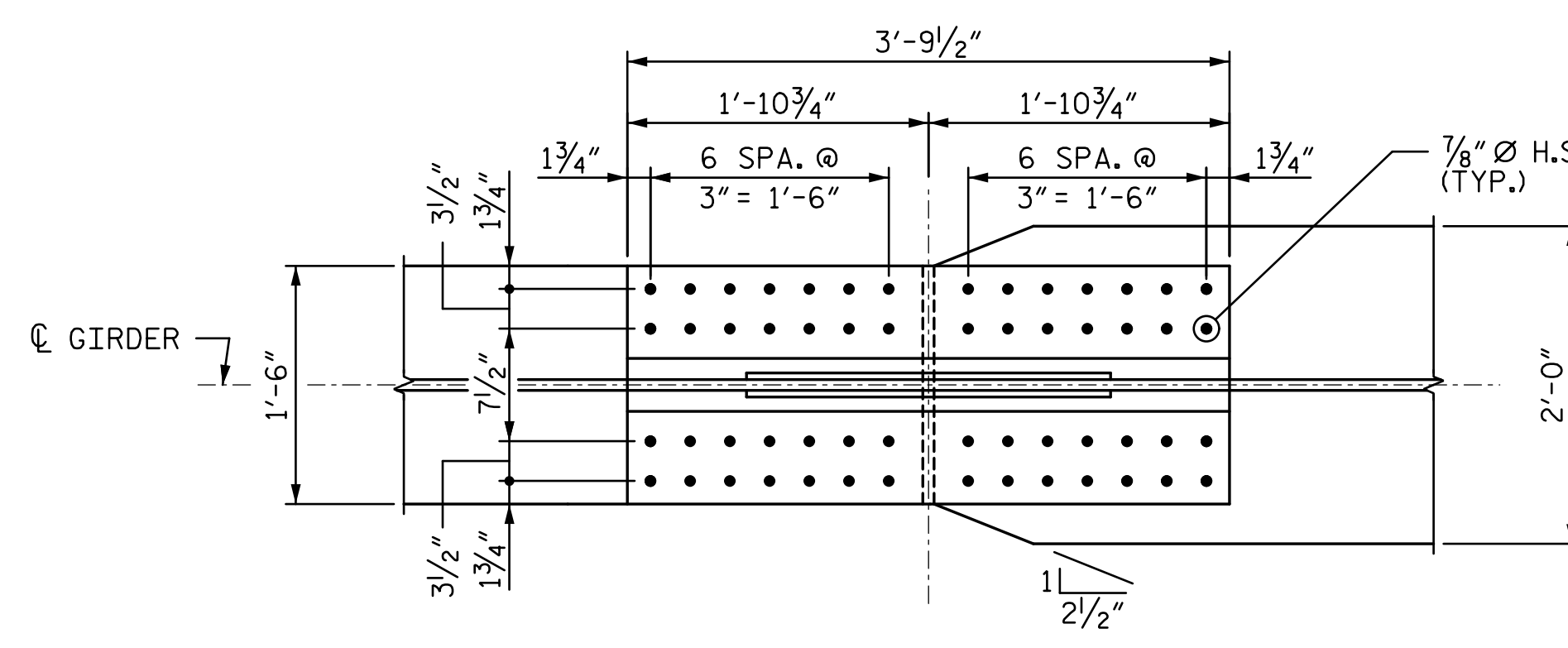


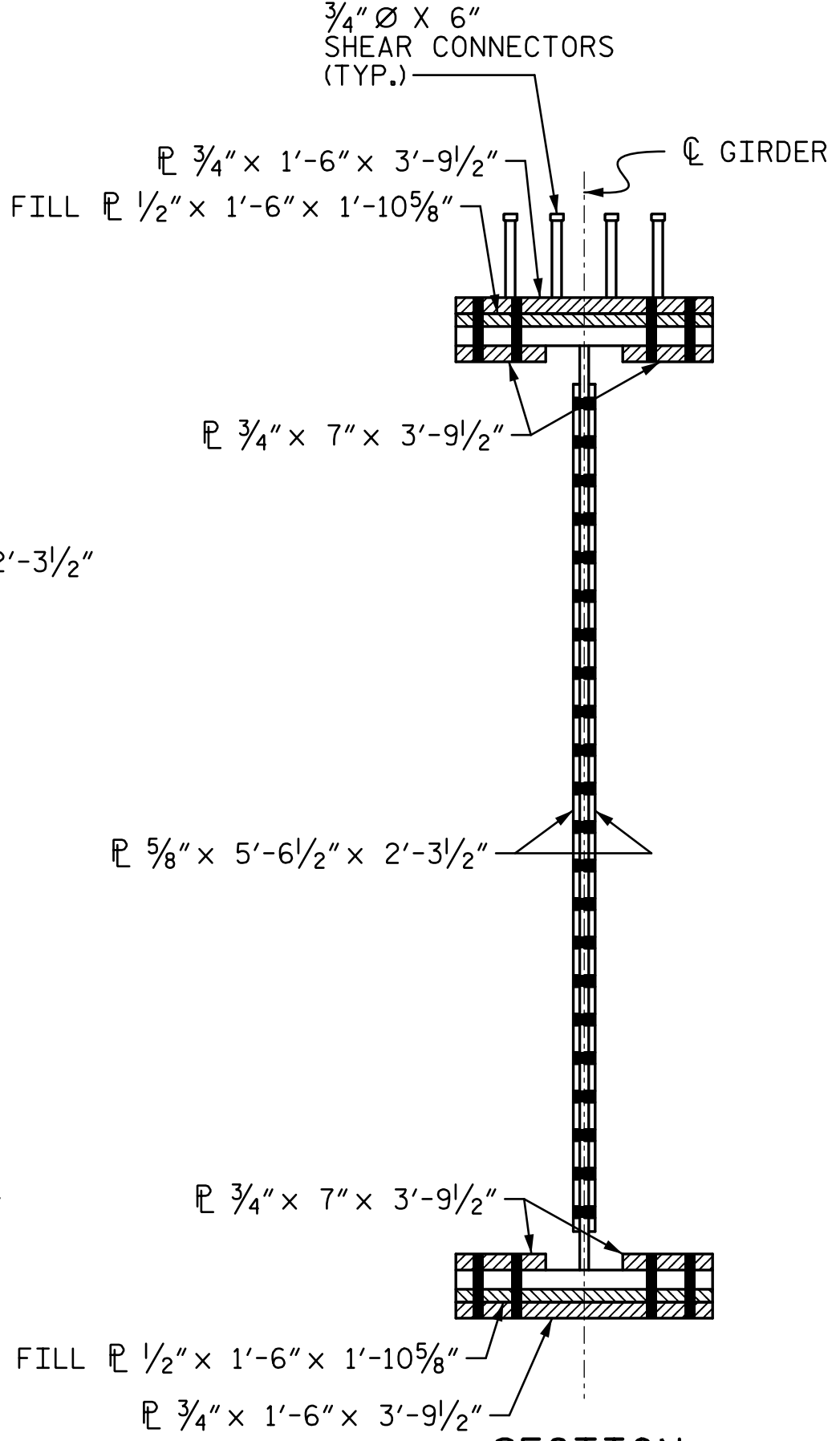
PLAN - TOP FLANGE



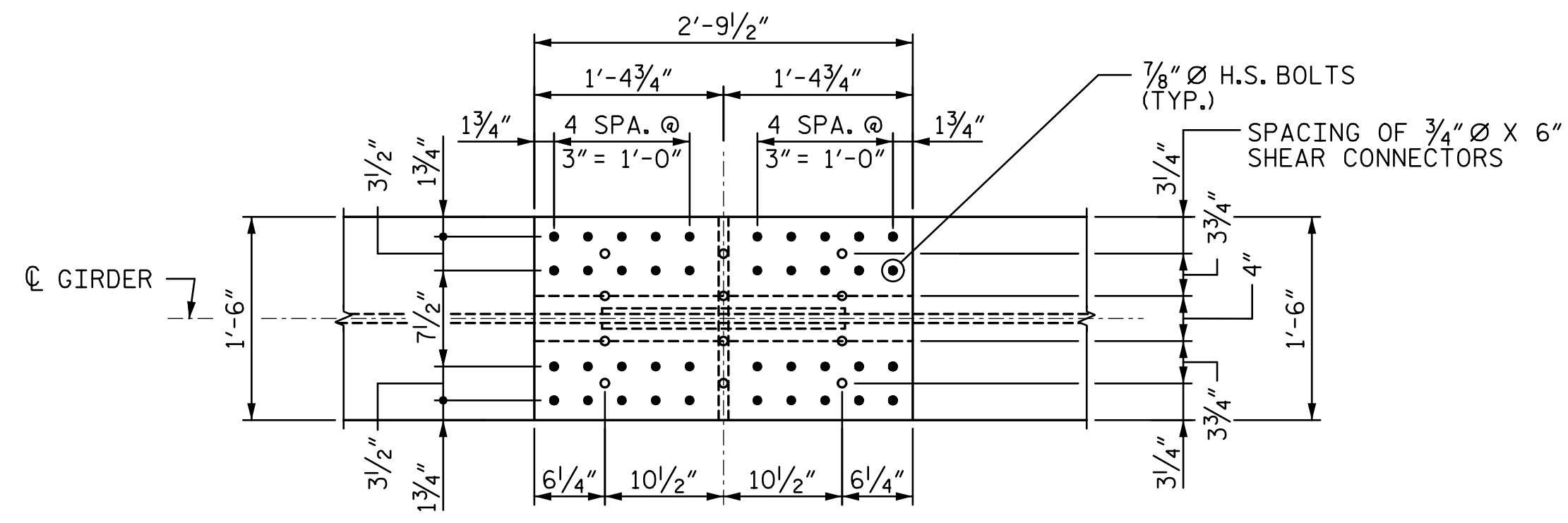
ELEVATION



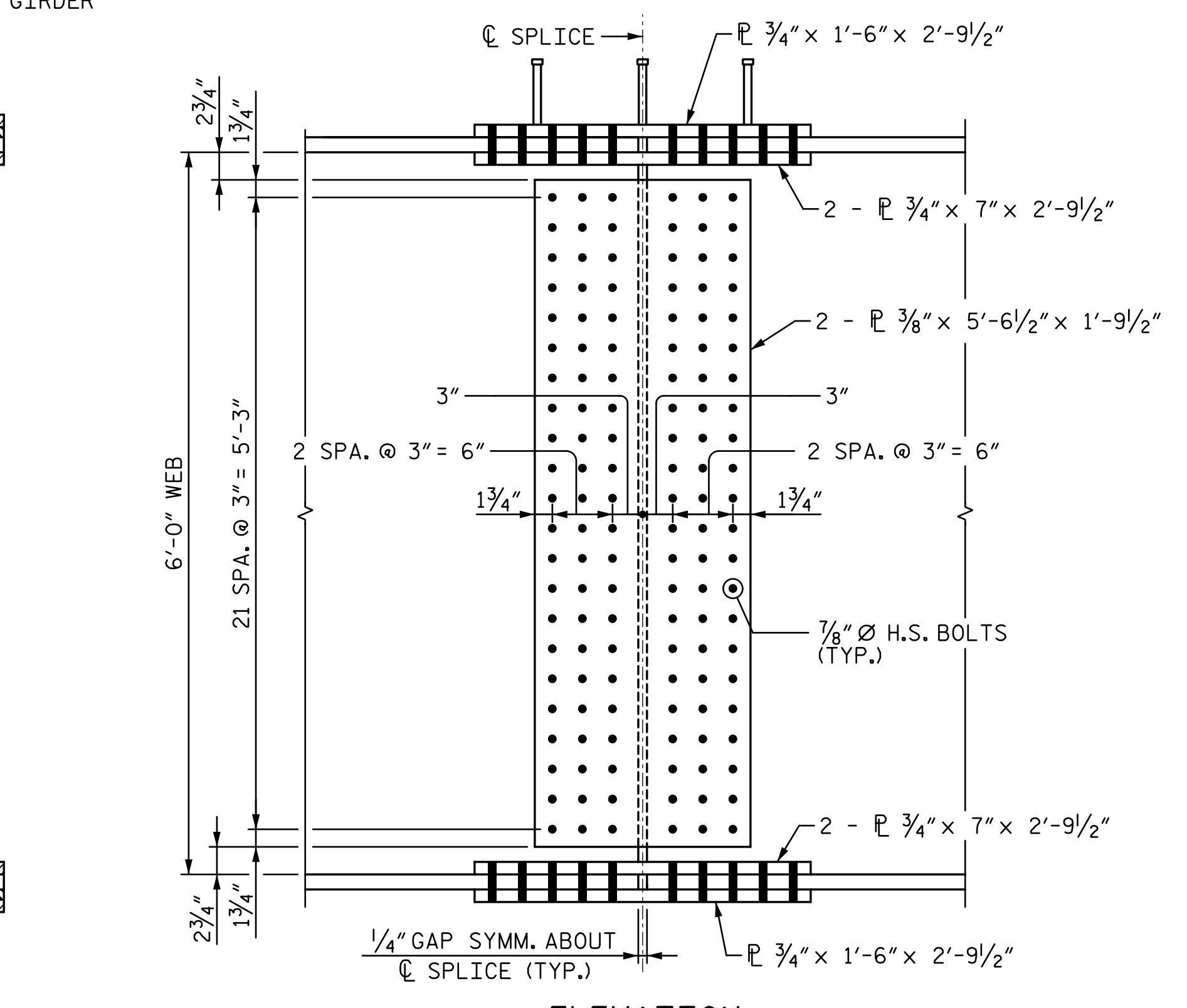
PLAN - BOTTOM FLANGE
BOLTED FIELD SPLICE V



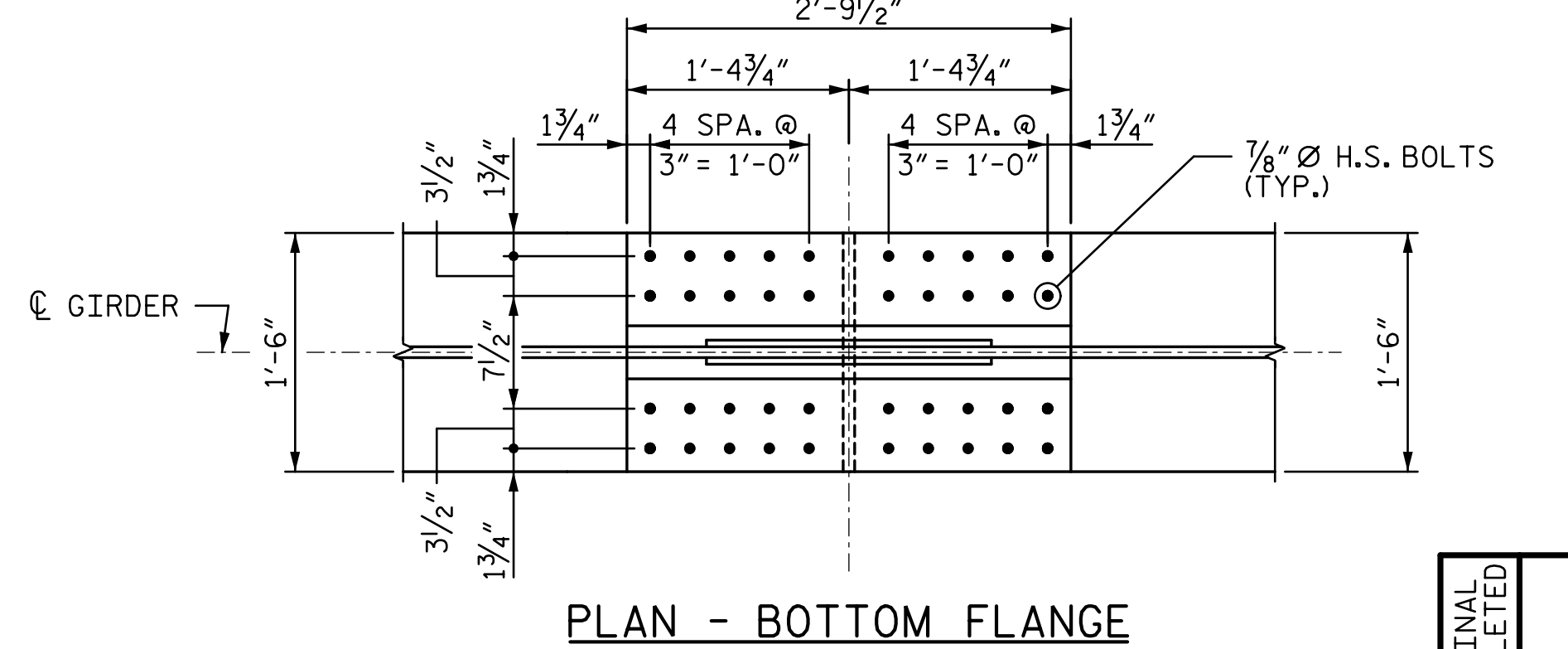
SECTION



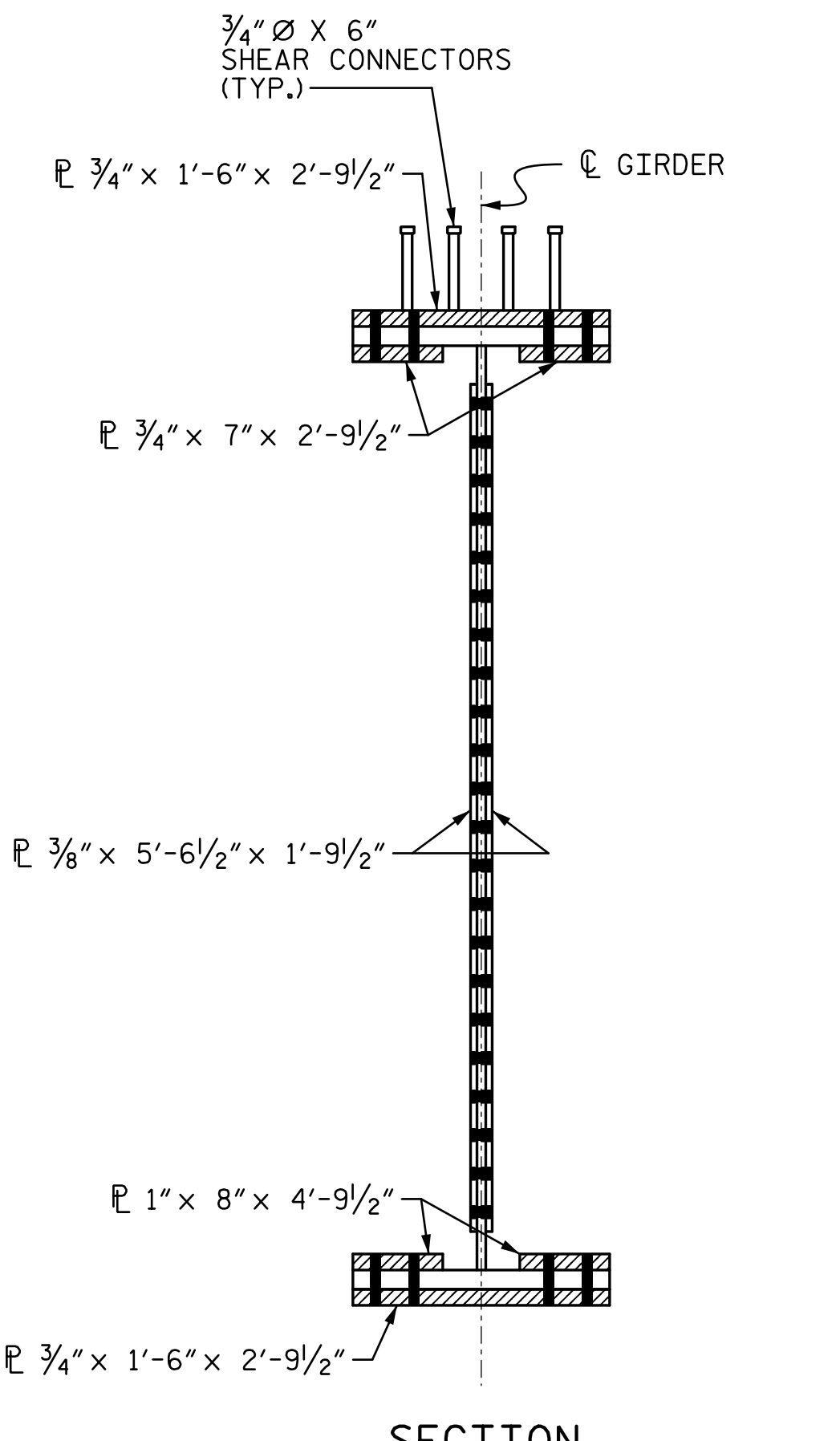
PLAN - TOP FLANGE



ELEVATION



PLAN - BOTTOM FLANGE
BOLTED FIELD SPLICE VI



SECTION

PROJECT NO. R-2707C
CLEVELAND COUNTY
 STATION: 596+50.98 -L-
 SHEET 10 OF 11

DOCUMENT NOT CONSIDERED FINAL
 UNLESS ALL SIGNATURES COMPLETED

DocuSigned by:
 Tony R. Laws, Jr.
 CA0CE9F8B74F7...
 12/13/2016

STV ENGINEERS, INC.
 900 West Trade St., Suite 715
 Charlotte, NC 28202
 NC License Number F-5991

STATE OF NORTH CAROLINA DEPARTMENT OF TRANSPORTATION RALEIGH		SUPERSTRUCTURE STRUCTURAL STEEL BOLTED FIELD SPLICE V & VI (SITE 6L)	
REVISIONS			
NO.	BY:	DATE:	NO.
1			3
2			4
SHEET NO. S7-23			TOTAL SHEETS 56

12/13/2016 6:59:37 PM R:\407_045_R2707C-SMU_SSD10_S7-23.dgn

DRAWN BY: <u>VMW</u>	DATE: <u>10-16</u>	DESIGN ENGINEER OF RECORD: <u>V. WU</u>	DATE: <u>10-16</u>
CHECKED BY: <u>TRL</u>	DATE: <u>10-16</u>		