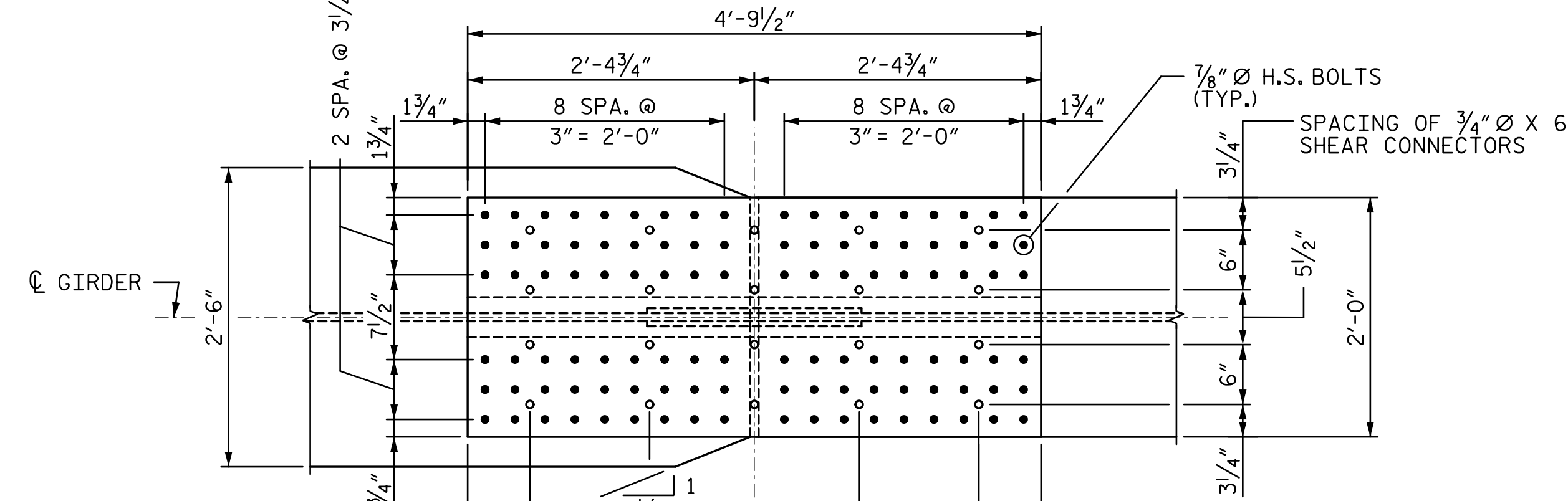
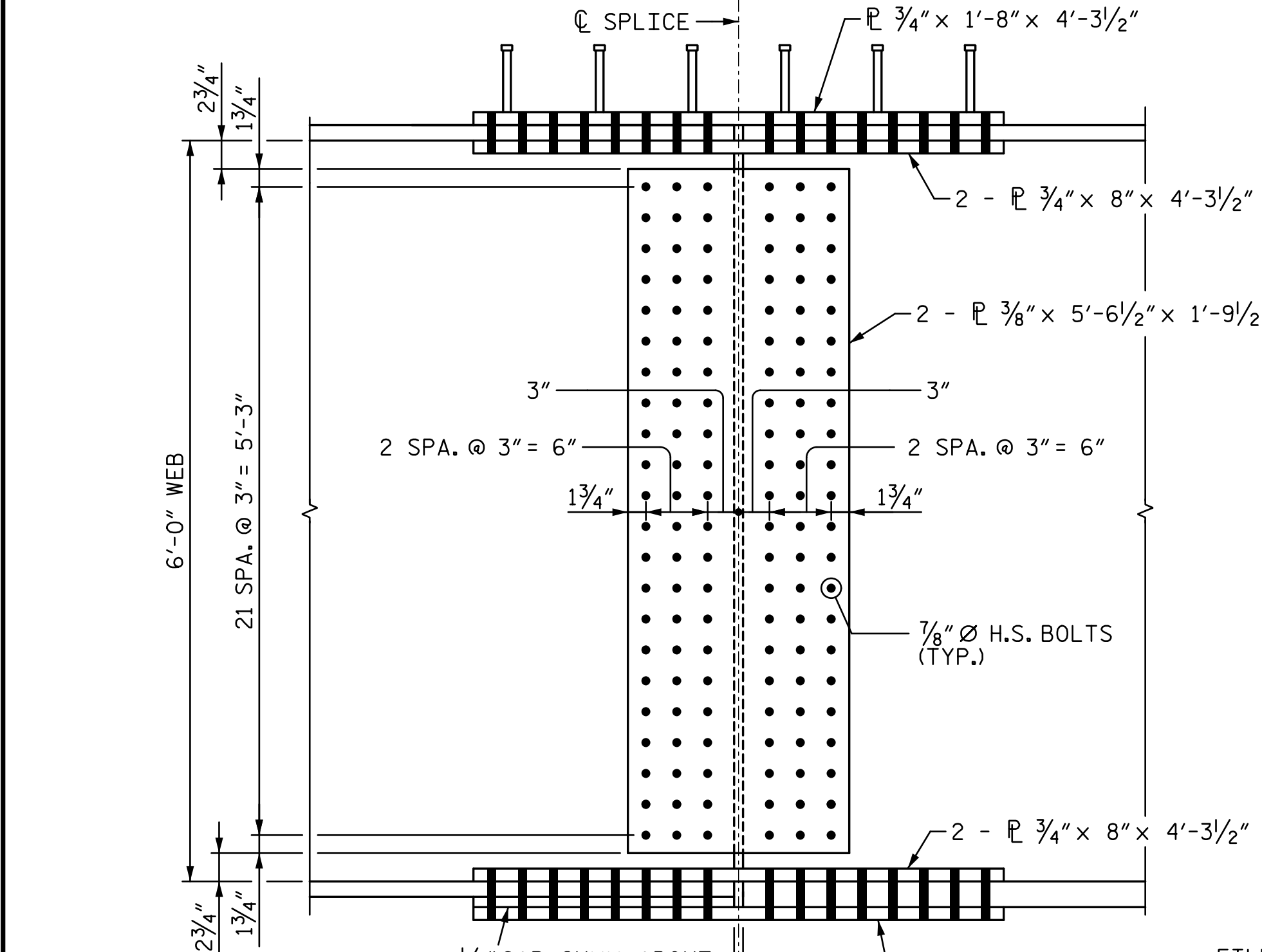


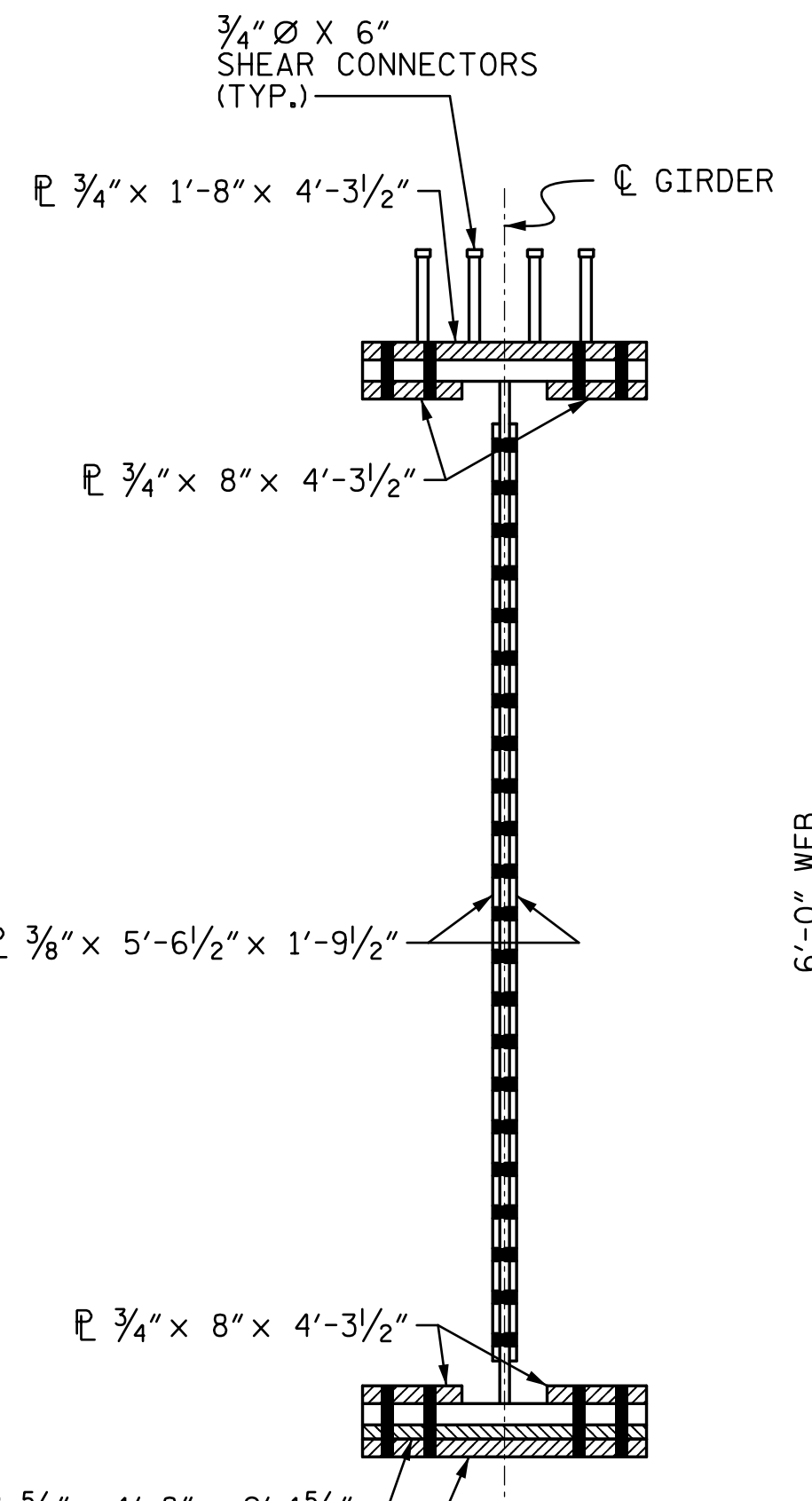
PLAN - TOP FLANGE



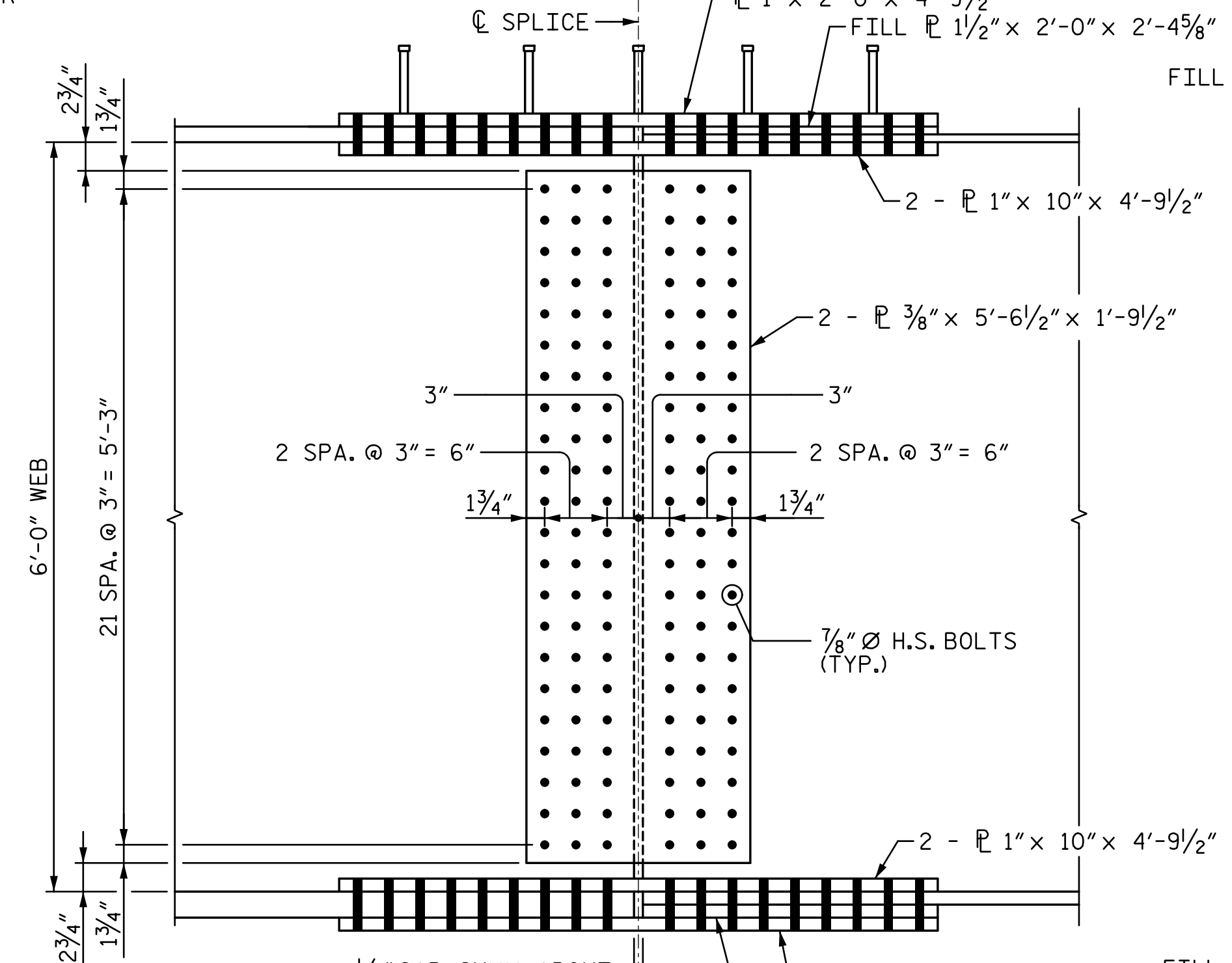
PLAN - TOP FLANGE



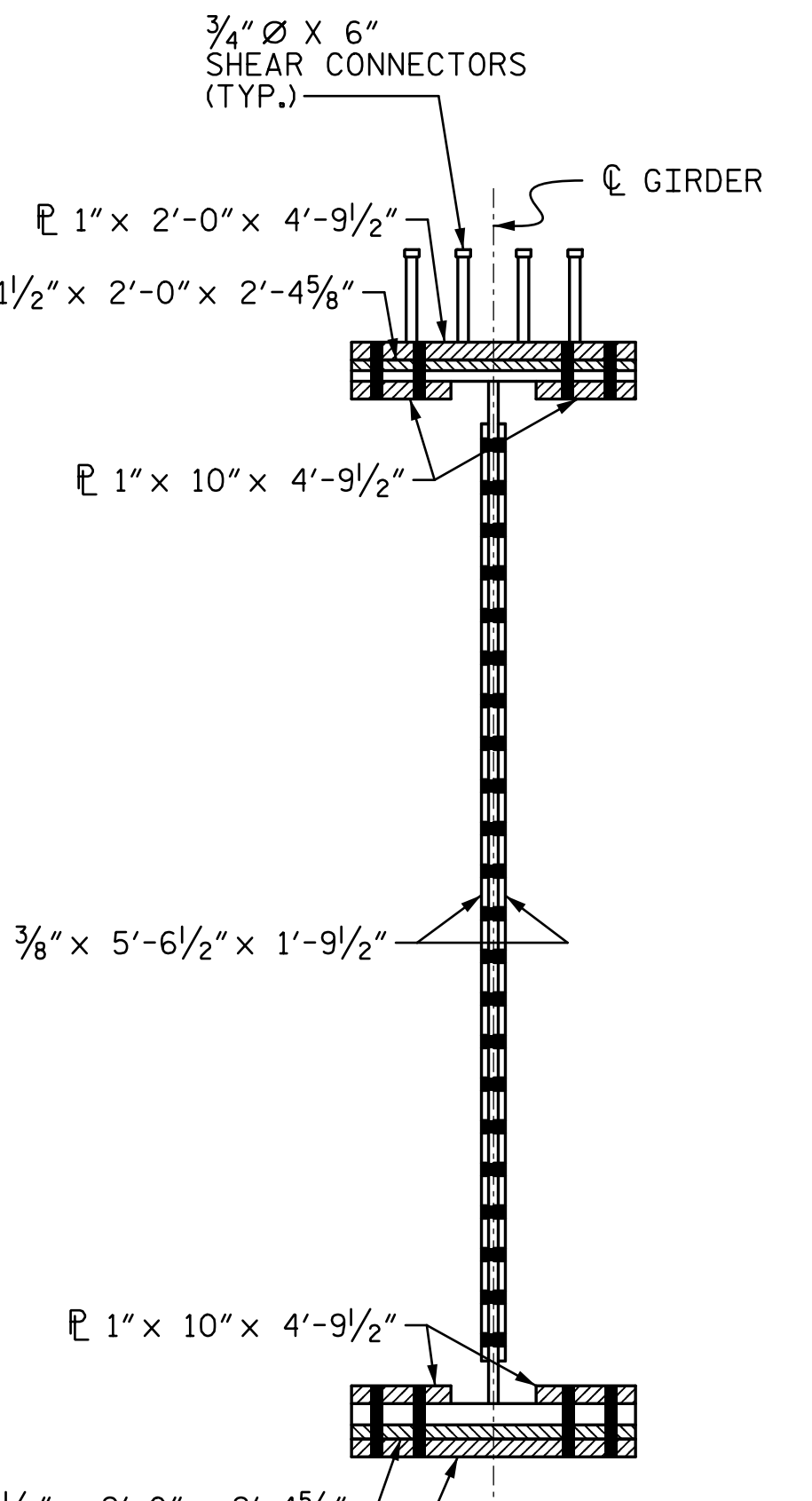
ELEVATION



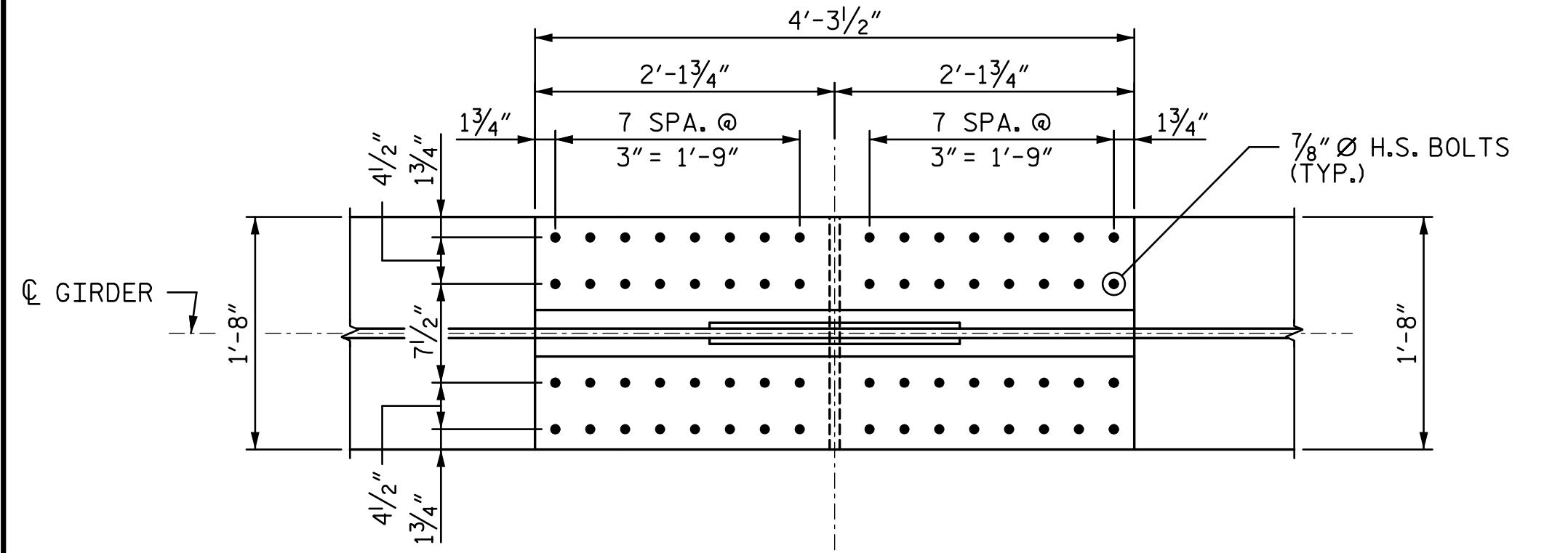
SECTION



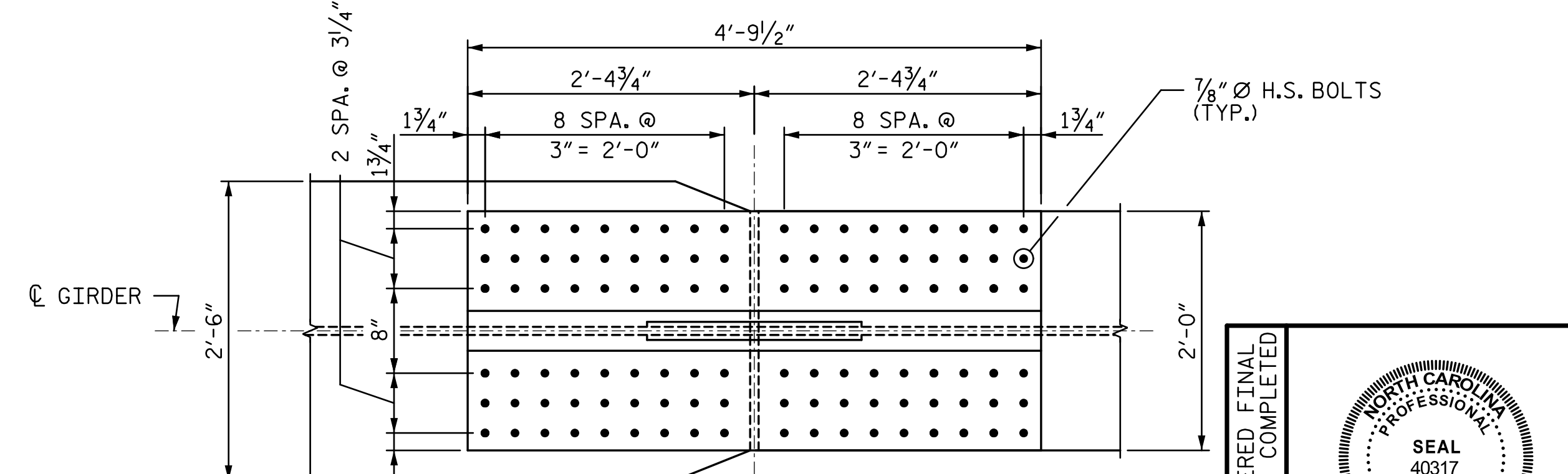
ELEVATION



SECTION



PLAN - BOTTOM FLANGE
BOLTED FIELD SPLICE III



PLAN - BOTTOM FLANGE
BOLTED FIELD SPLICE IV

PROJECT NO. R-2707C
CLEVELAND COUNTY
 STATION: 596+50.98 -L-
 SHEET 9 OF 11

DOCUMENT NOT CONSIDERED FINAL UNLESS ALL SIGNATURES COMPLETED		STATE OF NORTH CAROLINA DEPARTMENT OF TRANSPORTATION RALEIGH				SHEET NO. 57-22 TOTAL SHEETS 56
		SUPERSTRUCTURE STRUCTURAL STEEL BOLTED FIELD SPLICE III & IV (SITE 6L)				
		REVISIONS NO. BY: DATE: NO. BY: DATE:				

DRAWN BY: <u>VMW</u>	DATE: <u>10-16</u>	DESIGN ENGINEER OF RECORD: <u>V. WU</u>	DATE: <u>10-16</u>
CHECKED BY: <u>TRL</u>	DATE: <u>10-16</u>		

12/13/2016 6:59:37 PM R:\407_043_R2707C-SMU_SSD09_S7-22.dgn