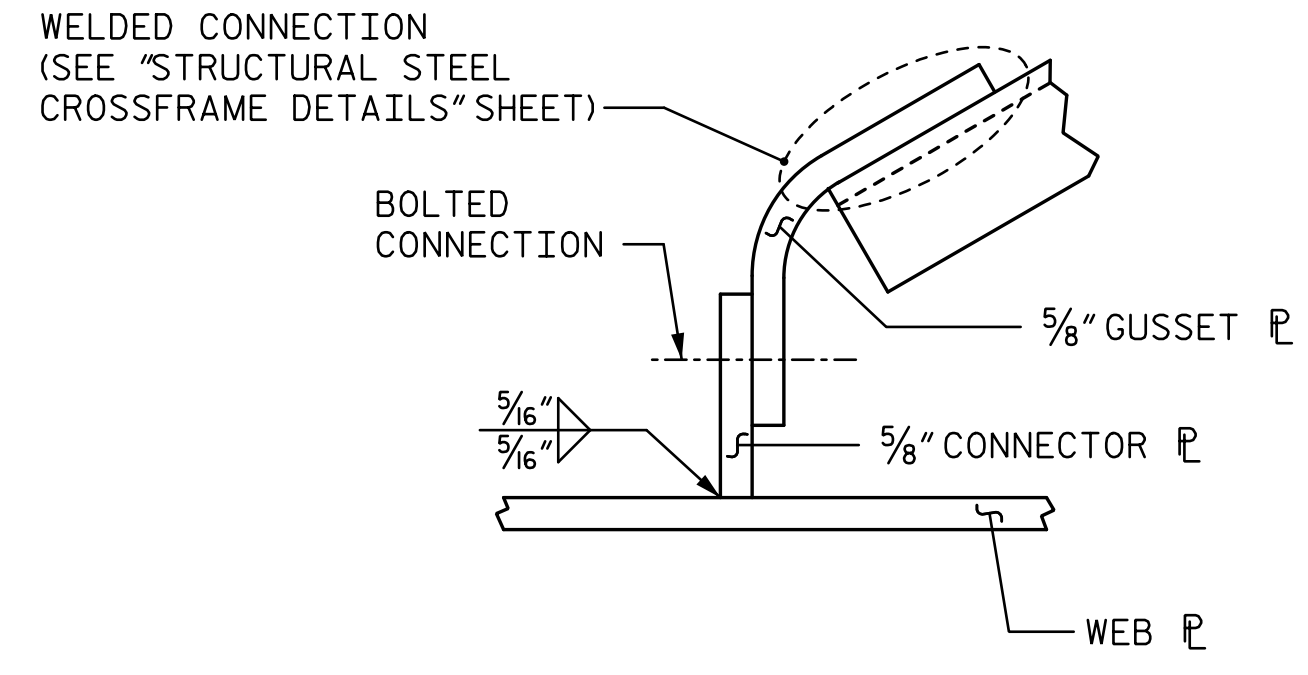
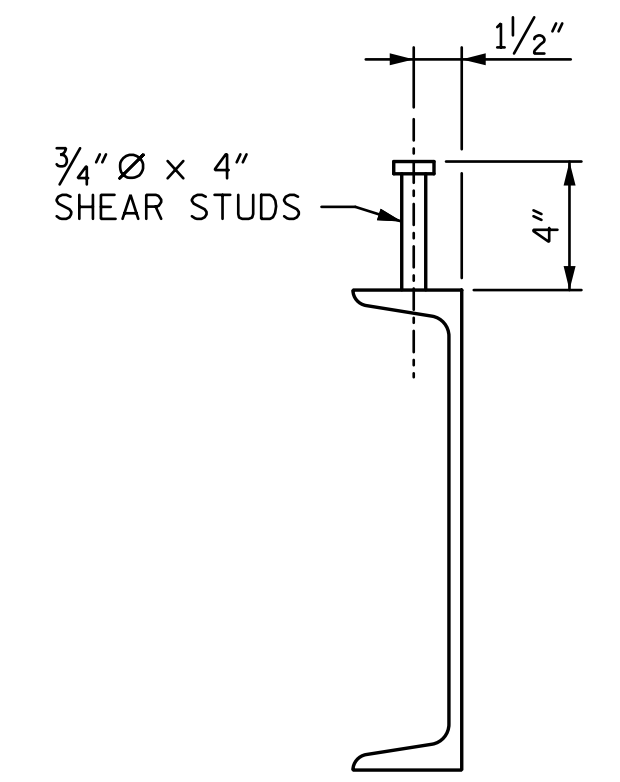


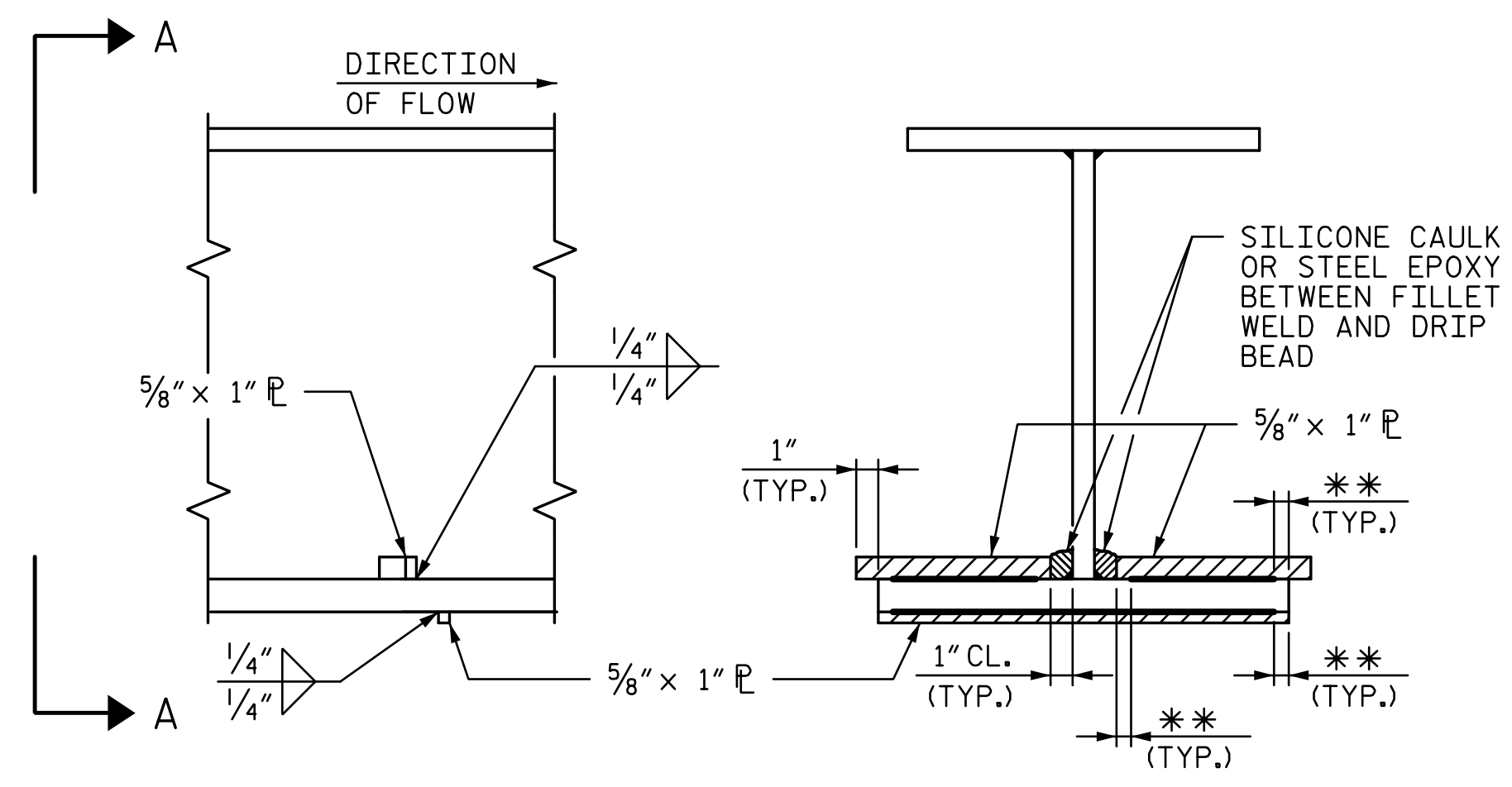
PART PLAN - BOTTOM FLANGE SCHEMATIC



WELD DETAIL FOR CURVED GUSSET



END CROSSFRAME SHEAR STUD DETAILS



SECTION VIEW A-A
** SEE "WELD TERMINATION DETAILS" ON SHEET 6 OF 11

DRIP BEAD DETAILS

PROJECT NO. R-2707C
CLEVELAND COUNTY
 STATION: 596+50.98 -L-
 SHEET 7 OF 11

DOCUMENT NOT CONSIDERED FINAL UNLESS ALL SIGNATURES COMPLETED	<p>DocuSigned by: Tony R. Laws, Jr. 12/13/2016</p>	STATE OF NORTH CAROLINA DEPARTMENT OF TRANSPORTATION RALEIGH		SHEET NO. S7-20 TOTAL SHEETS 56	
		SUPERSTRUCTURE STRUCTURAL STEEL DETAILS			
		(SITE 6L)			
REVISIONS					
NO.	BY:	DATE:	NO.	BY:	DATE:
1			3		
2			4		

DRAWN BY : <u>VMW</u>	DATE : <u>9-16</u>	DESIGN ENGINEER OF RECORD: <u>V. WU</u>	DATE : <u>10-16</u>
CHECKED BY : <u>TRL</u>	DATE : <u>10-16</u>		

12/13/2016 6:59:36 PM R:\407_039_R2707C-SMU_SSD07_S7-20.dgn