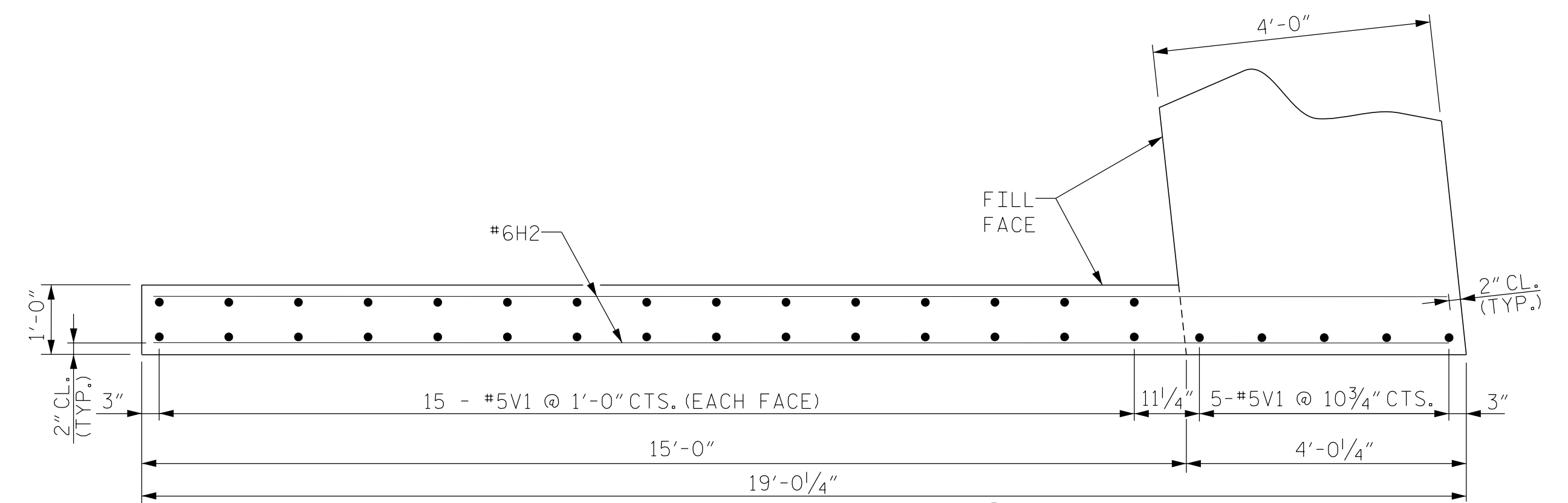
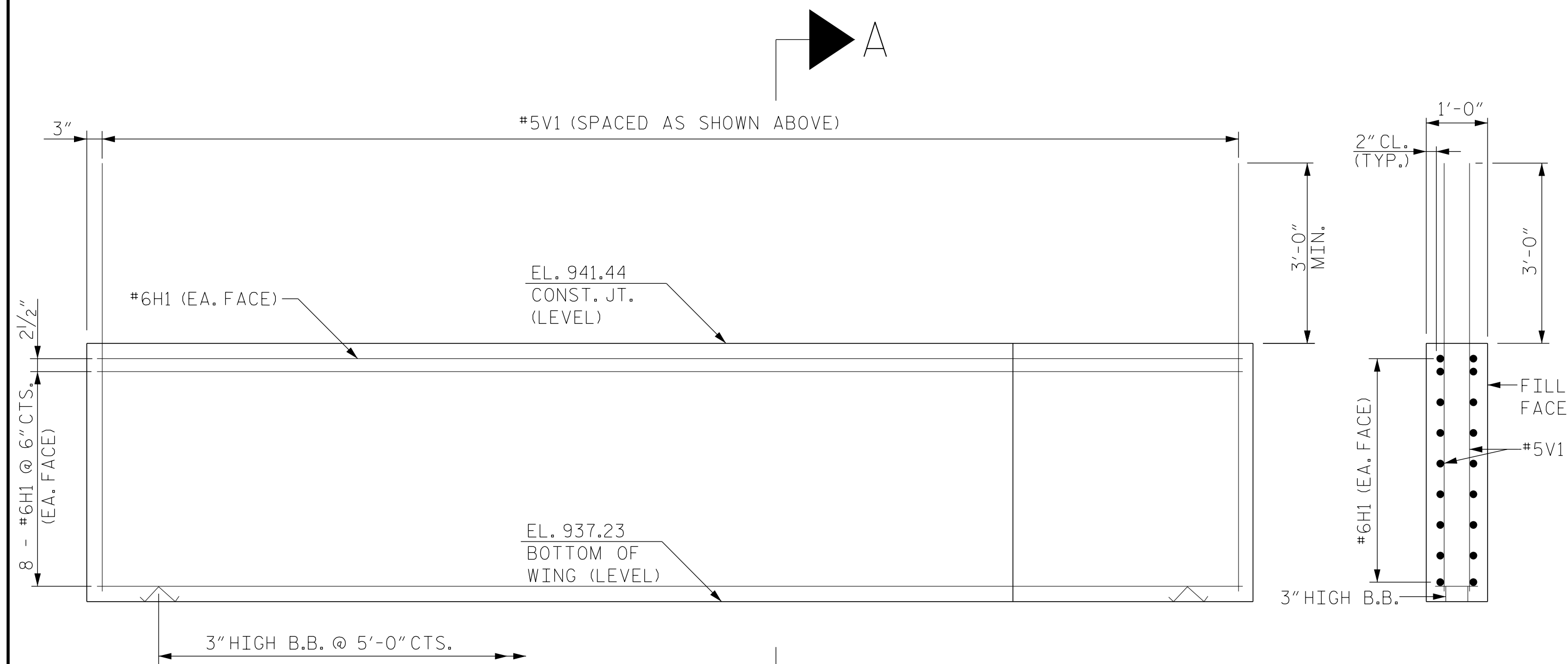


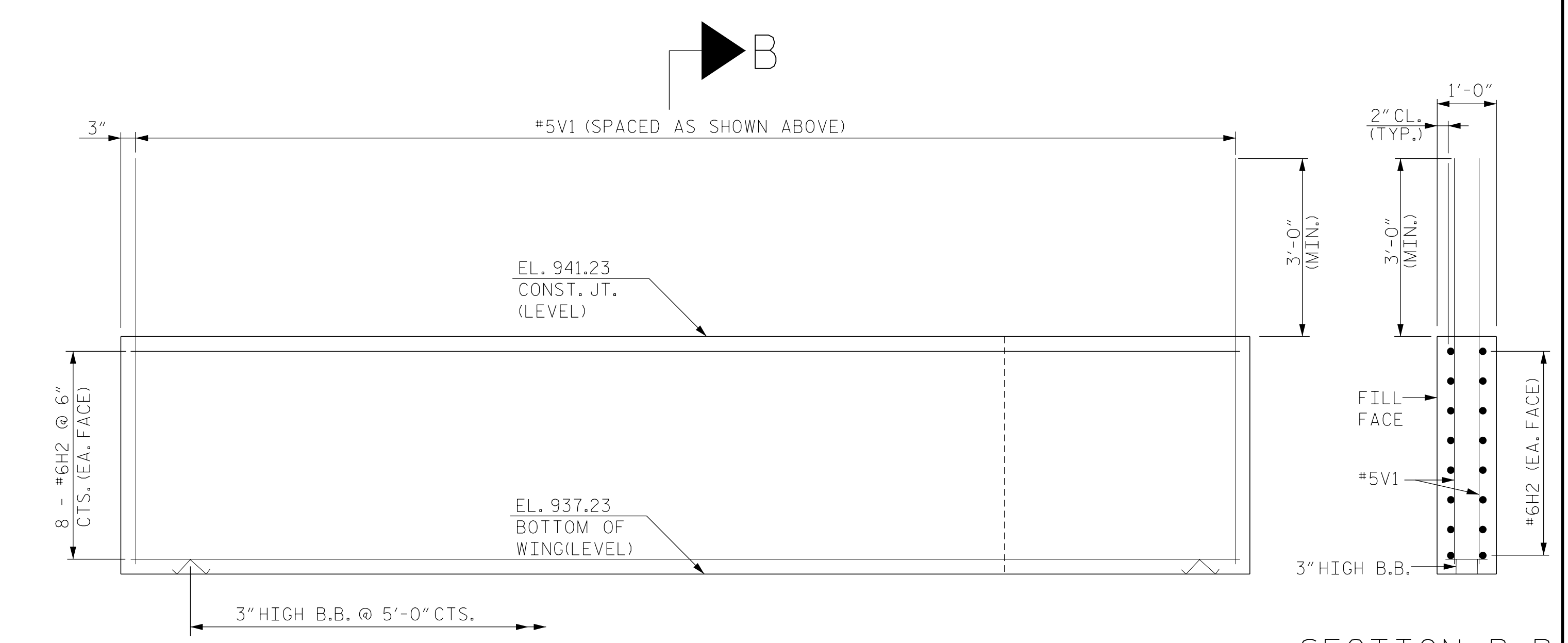
PLAN OF WING (W1)



PLAN OF WING (W2)



SECTION A-A



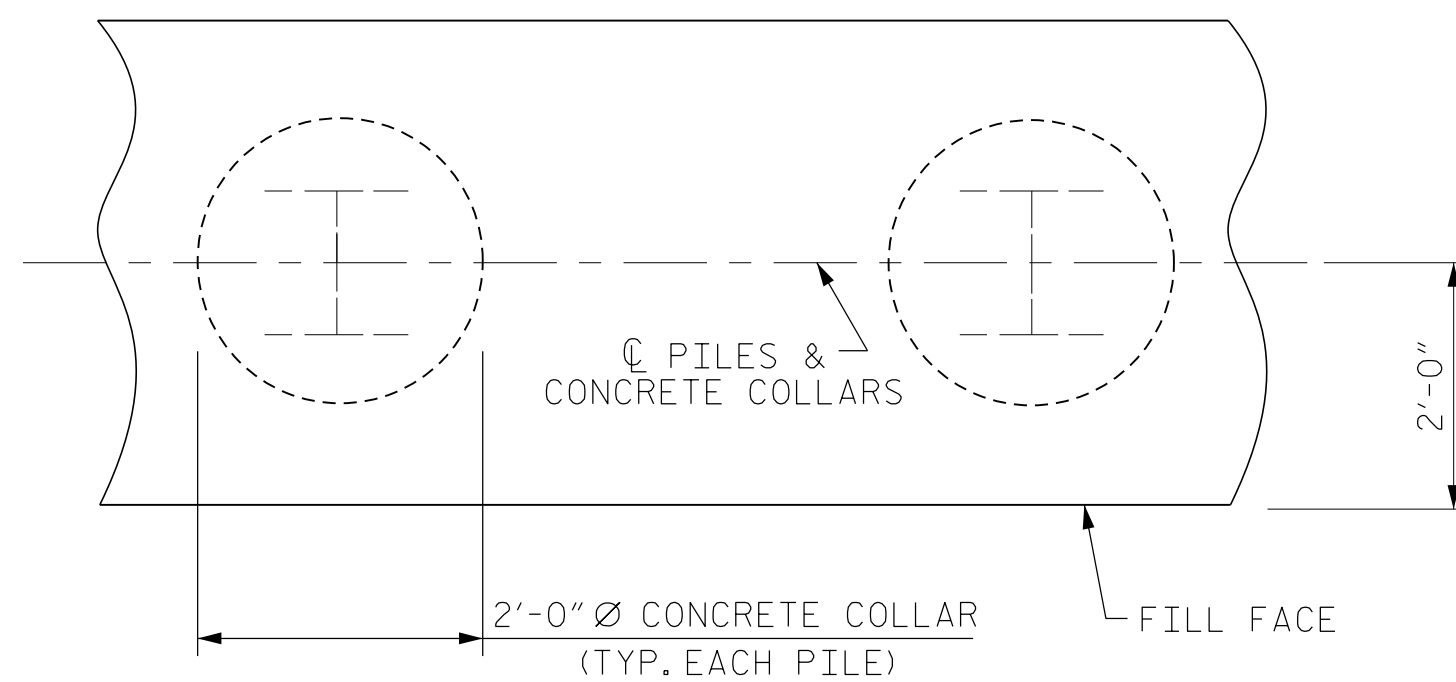
SECTION B-B

ELEVATION OF WING (W1)

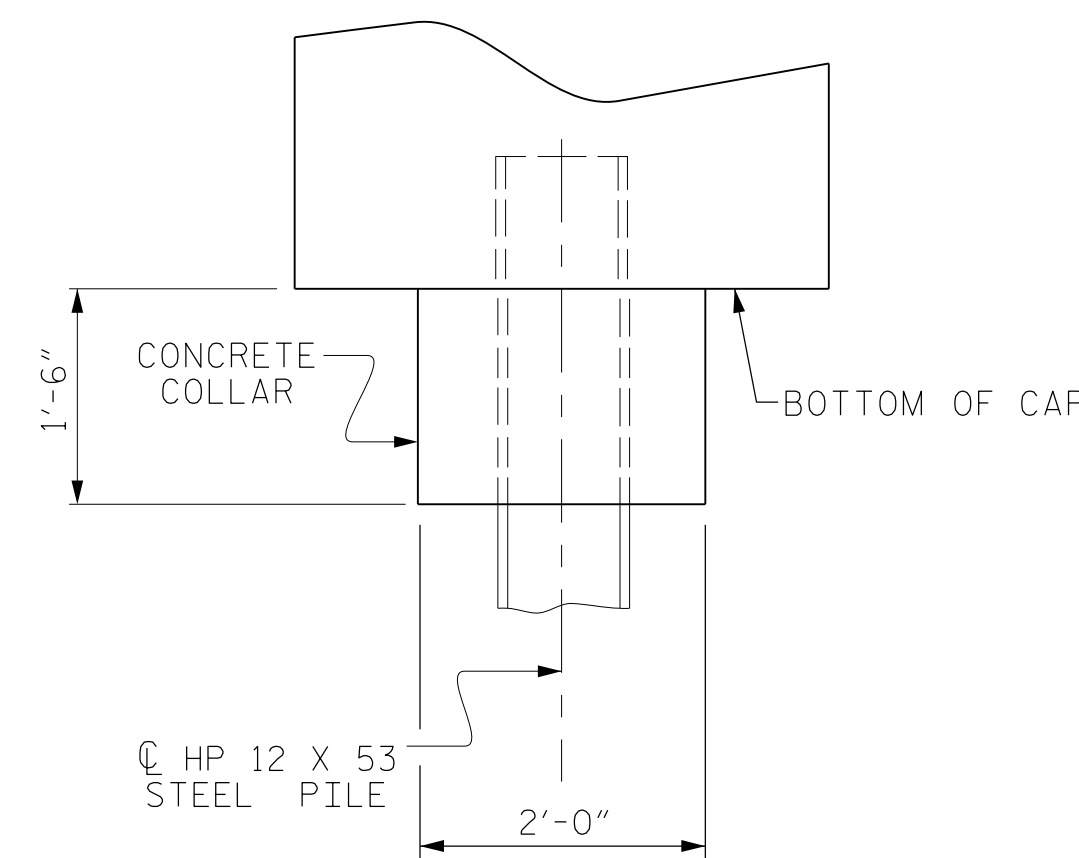
FOR REINFORCING STEEL IN UPPER PORTION OF WING, SEE SUPERSTRUCTURE SHEETS

ELEVATION OF WING (W2)

FOR REINFORCING STEEL IN UPPER PORTION OF WING, SEE SUPERSTRUCTURE SHEETS



PLAN



ELEVATION

CORROSION PROTECTION FOR STEEL PILES DETAIL

(END BENT No. 1 SHOWN, END BENT No. 2 SIMILAR BY ROTATION)

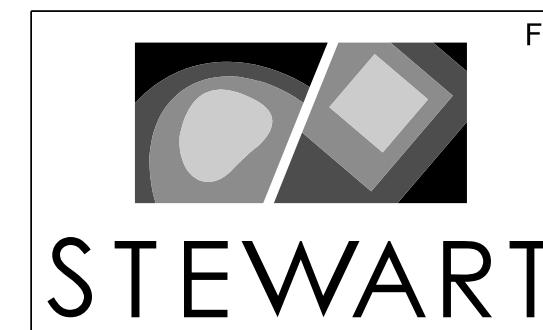
PROJECT NO. R-2707C
 CLEVELAND COUNTY
 STATION: 24+07.99 -Y9- POT

SHEET 2 OF 3



DocuSigned by:
 Jeff Loftus
 FES1DC2E9794A0 2/2/2017

Firm License No. C-1051
 421 Fayetteville St,
 Suite 400
 Raleigh, NC 27601
 T 919.380.8750
 www.stewartinc.com



STATE OF NORTH CAROLINA
 DEPARTMENT OF TRANSPORTATION
 RALEIGH
 SUBSTRUCTURE
 INTEGRAL END BENT NO.1
 DETAILS

REVISIONS						SHEET NO.
NO.	BY:	DATE:	NO.	BY:	DATE:	S6-27
1			3			TOTAL SHEETS
2			4			37

STR. #6

2/2/2017
 DRAWN BY: J. LOFTUS DATE: 09-16
 CHECKED BY: H. ASSFOURA DATE: 11-16
 DESIGN ENGINEER OF RECORD: J. LOFTUS DATE: 09-16

R 2707C-6
 \\406_053_R2707C_SMU_1EB2_S6-27.dgn
 USERdefault